



# POWERBOSS®

## **ARMADILLO® PARTS SECTION FOR: 9XV DELUXE - NISSAN**

### TABLE OF CONTENTS

Axles, Brakes, and Wheels .....	2
Body (Sheet Metal) Group - Console .....	6
Body (Sheet Metal) Group - Engine Cover .....	10
Engine (Gasoline - Nissan) Air Cleaner Group .....	12
Engine (Gasoline - Nissan) Directional Control and Hydraulic Pumps Group .....	14
Engine (Gasoline - Nissan) Engine Mounts & Miscellaneous Group .....	16
Engine (Gasoline - Nissan) Exhaust Group .....	18
Engine (Gasoline - Nissan) Fuel Injection (Gas) Group .....	20
Engine (Gasoline - Nissan) Fuel Injection (DP) Group .....	22
Engine (Gasoline - Nissan) Radiator Group .....	26
Engine (Gasoline - Nissan Service Parts) Group .....	28
Engine (Diesel) Group .....	60
Frame Group .....	68
Hopper/Tank Group .....	76
Hydraulic Group - Hydraulic Reservoir .....	82
Hydraulic Group - Control Valve .....	86
Impeller Group .....	88
Impeller Group - Gasket Mount .....	92
Lift Arm Group .....	94
Main Broom Group .....	100
Miscellaneous Group - Gas Tank .....	104
Miscellaneous Group - Decals .....	106
Miscellaneous Group - Lights .....	110
PowerSwing™ Group .....	112
Radiator Guard Group .....	114
Rear Cover/Seat Group .....	116
Side Broom Group .....	118
Steering Group .....	124

**Shrinkwrap protective cover  
Please Discard**





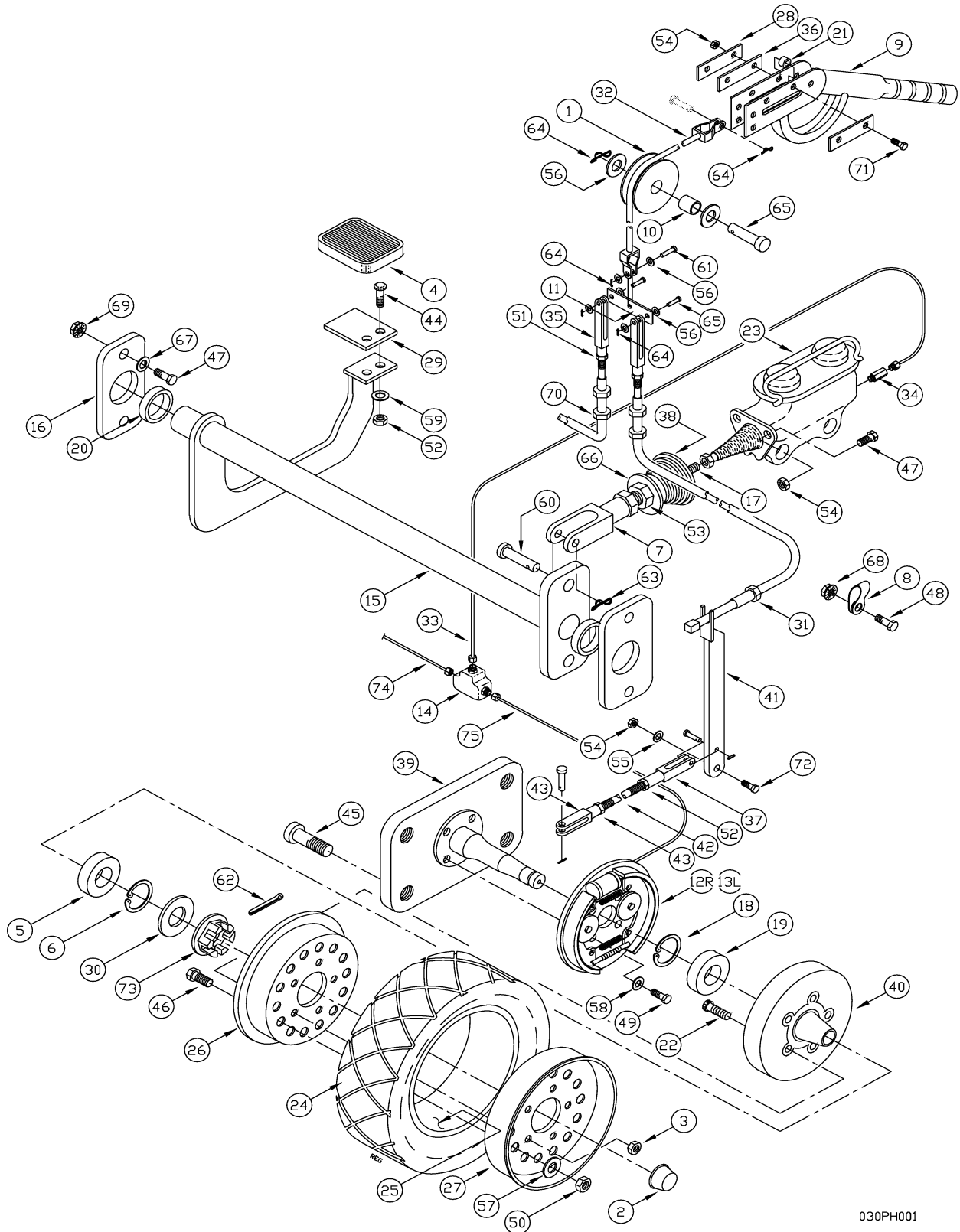
# **POWERBOSS<sup>®</sup>**

## ***ARMADILLO<sup>®</sup> PARTS SECTION FOR: 9XV DELUXE - NISSAN***

### **TABLE OF CONTENTS**

Axles, Brakes, and Wheels .....	2
Body (Sheet Metal) Group - Console .....	6
Body (Sheet Metal) Group - Engine Cover .....	10
Engine (Gasoline - Nissan) Air Cleaner Group .....	12
Engine (Gasoline - Nissan) Directional Control and Hydraulic Pumps Group .....	14
Engine (Gasoline - Nissan) Engine Mounts & Miscellaneous Group .....	16
Engine (Gasoline - Nissan) Exhaust Group .....	18
Engine (Gasoline - Nissan) Fuel Injection (Gas) Group .....	20
Engine (Gasoline - Nissan) Fuel Injection (LP) Group .....	22
Engine (Gasoline - Nissan) Radiator Group .....	26
Engine (Gasoline - Nissan Service Parts) Group .....	28
Engine (Diesel) Group .....	60
Frame Group .....	68
Hopper/Tank Group .....	76
Hydraulic Group - Hydraulic Reservoir .....	82
Hydraulic Group - Control Valve .....	86
Impeller Group .....	88
Impeller Group - Gasket Mount .....	92
Lift Arm Group .....	94
Main Broom Group .....	100
Miscellaneous Group - Gas Tank .....	104
Miscellaneous Group - Decals .....	106
Miscellaneous Group - Lights .....	110
PowerSwing <sup>™</sup> Group .....	112
Radiator Guard Group .....	114
Rear Cover/Seat Group .....	116
Side Broom Group .....	118
Steering Group .....	124

# AXLE, BRAKES, & WHEEL GROUP



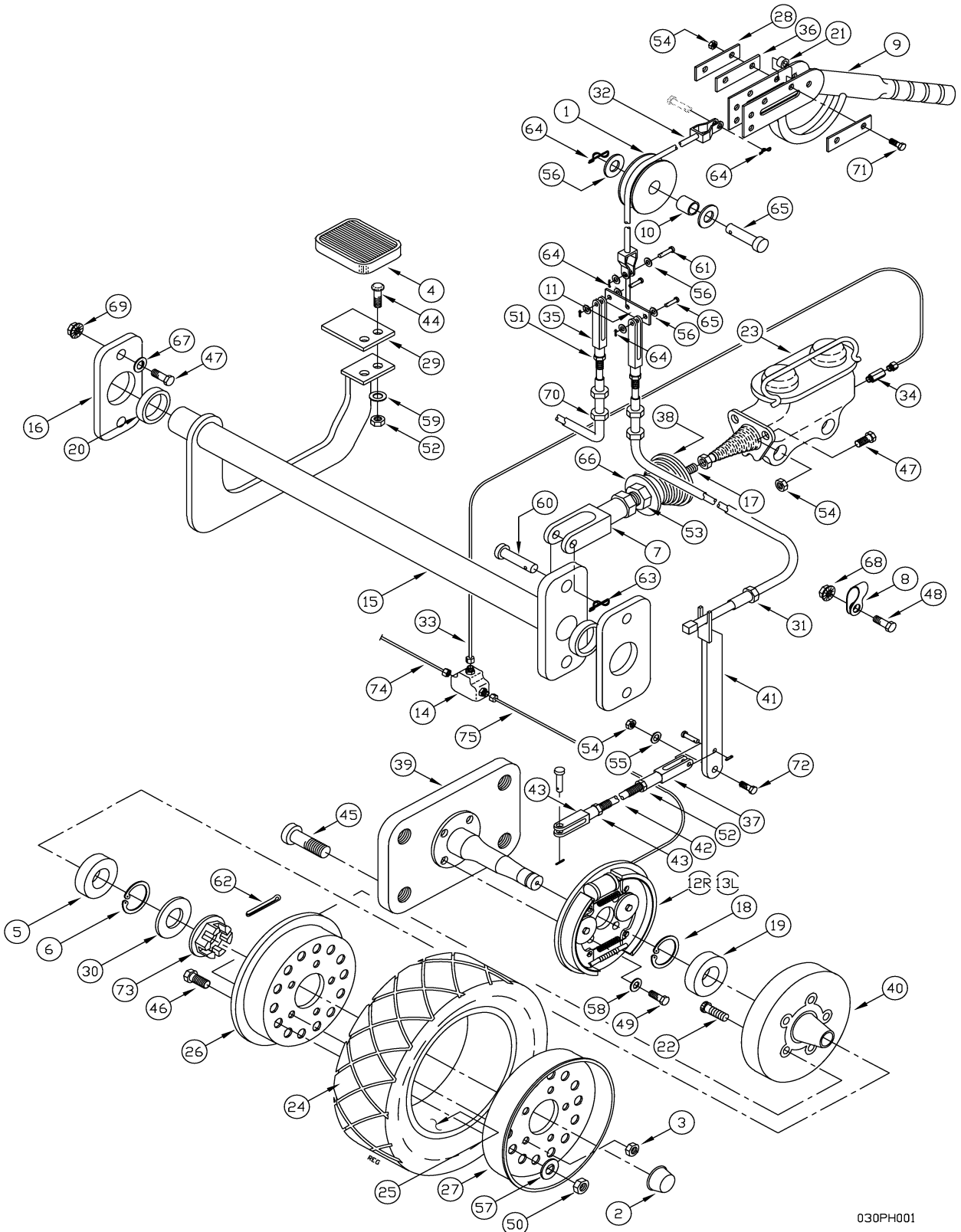
030PH001



**AXLE, BRAKES, & WHEEL GROUP**

REF#	PART #	DESCRIPTION	QUANTITY
1	300367	PULLEY - BRAKE	1
2	300369	CAP - HUB	2
3	300411	NUT - WHEEL LUG	10
4	300413	PAD - BRAKE PEDAL	1
5	300467	BEARING - BALL 2.44 X 1.18 ID	2
6	300473	RING - RET INT 2.44	2
7	301447	CLEVIS - CABLECRAFT AC-218	1
8	302543	CLAMP - SADDLE TYPE 5/16" DIA	2
9	303169	LEVER - HAND BRAKE	1
10	303552	SLEEVE - HAND BRAKE PLTD	1
11	307232	BAR - BRAKE EQUALIZER PLTD SW/A	1
12	304542	ASSY - HYD BRAKE RH	1
13	304543	ASSY - HYD BRAKE LH	1
14	306307	FTG - TEE HYD BRAKE	1
15	307224	ASSY - BRAKE TORQUE ARM PLTD	1
16	307233	MNT - BEARING BRAKE PLTD SW/A	2
17	307235	ROD - BRAKE MASTER CYLINDER PLTD	1
18	307237	RING - RET INT INNER WHEEL SW/A	2
19	307238	BEARING - INNER WHEEL SW/A	2
20	307239	BEARING - BRAKE ARM SW/A	2
21	307241	SPACER - HAND BRAKE PLTD SW/A	2
22	307242	STUD - FRONT HUB SW/A	10
23	307251	ASSY - MASTER CYLINDER SW/A	1
24	307252	TIRE - PNEUMATIC 650 X 10	2
25	307253	TUBE - TIRE 650 X 10	2
26	307254	RIM - FRONT INNER SW/A PLTD	2
27	307255	RIM - FRONT OUTER SW/A PLTD	2
28	307273	BAR - HAND BRK SPACER PLTD SW/A	1
29	307274	PAD - BRAKE SW/A PNTD	1
30	307352	WASHER - FRONT HUB SW/A PLTD	2
31	307353	CABLE - BRAKE RH SW/A	2
32	307632	CABLE - BRAKE CENTER SW/A	1
33	307637	ASSY - BRAKE LINE CENTER SW/A	1
34	307638	FTG - REDUCER	1
35	307642	CLEVIS - 5/16 PLTD SW/A	2
36	307895	SPACER - THIN HAND BRAKE PLTD	2
37	311321	CLEVIS & COTTER PIN - BRAKE ROD	2
38	313109	SPRING - PEDAL RETURN	1

# AXLE, BRAKES, & WHEEL GROUP

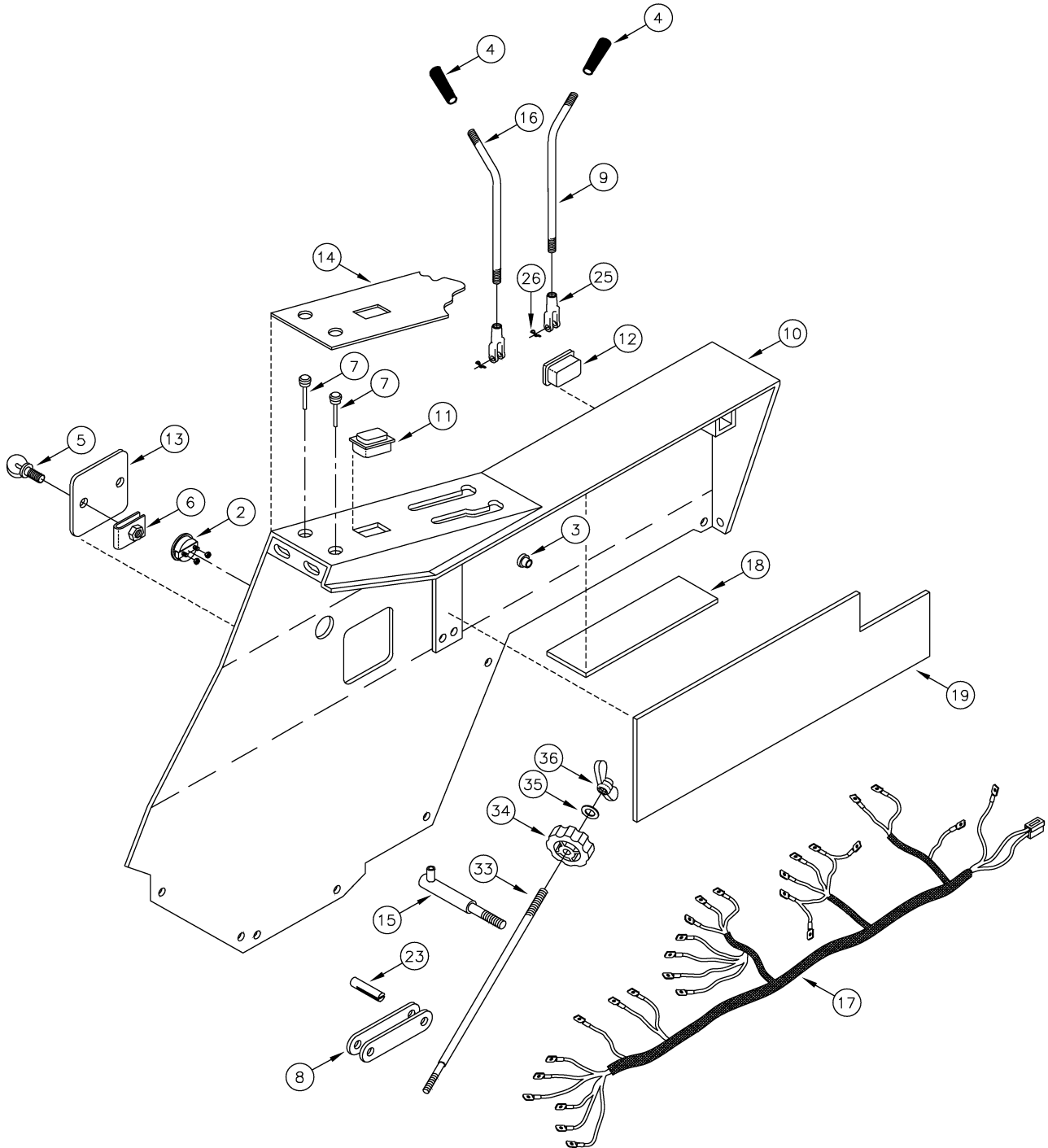


030PH001

**AXLE, BRAKES, & WHEEL GROUP**

REF#	PART #	DESCRIPTION	QUANTITY
39	318285	WELDMENT - FRONT AXLE SW 8X/9X	2
40	318288	HUB - 7" ID HYDRAULIC BRAKES	2
41	321324	ASSY - LEVER PARKING BRAKE	2
42	321331	ROD - PARKING BRAKE	2
43	321341	CLEVIS - BRAKE ROD (MODIFIED)	2
44	400010	SCREW - CAR, 1/4 - 20 X .75 ZP	2
45	400011	SCREW - FLT 5/8 - 11 X 1.00 SOC ZP	8
46	400306	SCREW - HEX 1/2 - 20 X 1.0 ZP	20
47	400029	SCREW - HEX 3/8 - 16 X 1.25 ZP	7
48	400036	SCREW - HEX 5/16 - 18 X .75 ZP	2
49	400047	SCREW - SOC 5/16 - 18 X .75 ZP	8
50	400064	NUT - HEX 1/2 - 20 ZP	20
51	400069	NUT - HEX 5/16 - 24 ZP	2
52	400071	NUT - HEX 1/4 - 20 ZP	6
53	400075	NUT - HEX JAM 3/8 - 24 ZP	2
54	400079	NUT - HEX 3/8 - 16 ES ZP	7
55	400087	WASHER - FLAT 3/8 STANDARD ZP	2
56	400088	WASHER - FLAT 5/16 STANDARD ZP	9
57	400098	WASHER - LOCK 1/2 SPLIT ZP	20
58	400102	WASHER - LOCK 5/16 SPLIT ZP	8
59	400103	WASHER - LOCK 1/4 SPLIT ZP	2
60	400117	PIN - CLEVIS 3/8 X 1 - 1/8 ZP	1
61	400118	PIN - CLEVIS 5/16 X 7/8 ZP	1
62	400120	PIN - COTTER 5/32 X 2.00 ZP	2
63	400124	PIN - COTTER 5/8 RUE-RING	1
64	400125	PIN - COTTER 3/8 RUE-RING	5
65	400185	PIN - CLEVIS 5/16 X 1 - 1/4 ZP	3
66	400278	WASHER - FENDER 3/8	3
67	400385	WASHER - CONICAL SPRING 3/8	4
68	400390	NUT - FLANGE LOCK 5/16 - 18	2
69	400392	NUT - FLANGE LOCK 3/8 - 16	4
70	400432	NUT - HEX 9/16 - 12 ZP	4
71	400473	SCREW - HEX 3/8 - 16 X 3.00 ZP FULL THREAD	2
72	400659	SCREW - HSS 1/2 DIA X .75	2
73	400076	NUT - HEX JAM SLOTTED 1 - 14 ZP	2
74	318295	BRAKE LINE - RH SW/A	1
75	318296	BRAKE LINE - LH SW/A (9X ONLY)	1
75	318297	BRAKE LINE - LH SW/A (8X ONLY)	1

# BODY (SHEET METAL) GROUP - CONSOLE

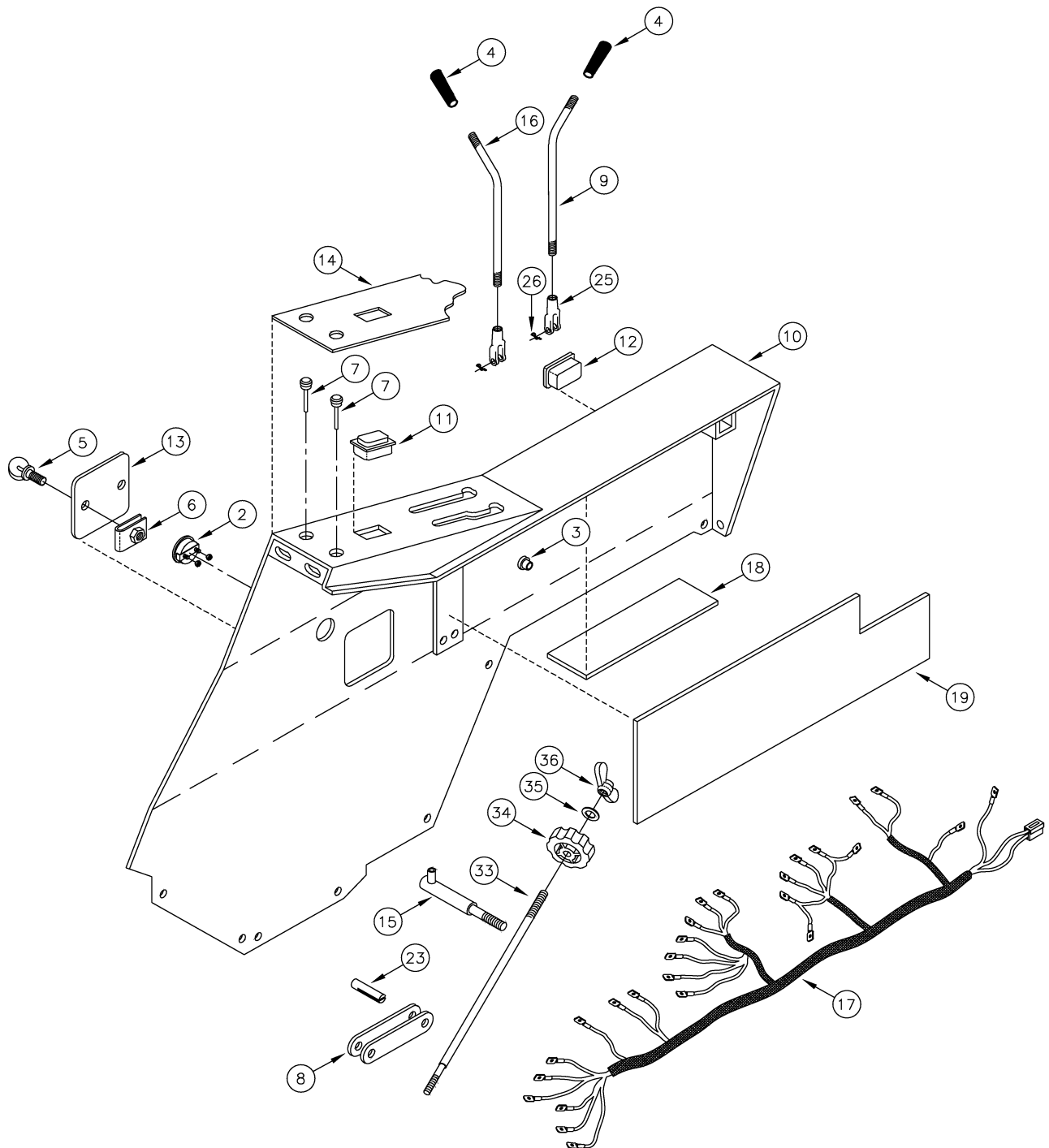


012PH001

**BODY (SHEET METAL) GROUP - CONSOLE**

REF#	PART #	DESCRIPTION	QUANTITY
	307080	ASSY - CONSOLE SUB ARMA	1
Above sub-assembly contains the following items. ( THRU 26)			
	300376	STUD - BALL GAS SPRING	2
2	300385	GAGE - HR METER W/HEX NUT 10-24	1
3	300414	BUSHING - PLASTIC MAIN BROOM	4
4	300558	KNOB - TAPERED #145 BLACK	2
5	301147	SCREW - CAPTIVE WING HEAD	2
6	301155	CLIPNUT - 5/16-18 ZP	2
7	301553	LIGHT - TRASH RELOCATOR	2
8	307209	ASSY - PIVOT MAIN BRM LIFT PNTD	1
9	307211	ASSY - MAIN BRM LEVER SW/A PLTD	1
10	307401	ASSY - DRIVE SIDE CONSOLE PNTD	1
11	307552	SWITCH - ROCK LIGHTS ARMA	1
12	307553	SWITCH - ROCKER ENG SWING ARMA	1
13	307554	COVER - BROOM ADJ. SW/A PNTD	1
14	307591	DECAL - SIDE PANEL SW/A	1
15	307614	ASSY - PIVOT SB LIFT PNTD	1
16	307615	ASSY - LEVER CURB BROOM PLTD	1
17	307750	WIRING HARNESS - SECONDARY SW/A	1
18	307846	INSULATION - DRIVER COMP TOP	1
19	307847	INSULATION - DRIVE COMP SIDE	1
	400070	NUT - HEX 5/16-18 ZP	2
	400087	WASHER - FLAT 3/8 STANDARD ZP	4
	400102	WASHER - LOCK 5/16 SPLIT ZP	2
23	400113	PIN - CLEVIS 3/8 X 5-1/2 ZP	2
	400117	PIN - CLEVIS 3/8 X 1-1/8 ZP	1
25	400125	PIN - COTTER 3/8 RUE-RING	4
26	400185	PIN - CLEVIS 5/16 X 1-1/4 ZP	1
	400035	SCR - HHM 5/16-18 X 1.00 LG ZP	2
	400036	SCR - HHM 5/16-18 X .75 LG ZP	4
	400384	WASHER - CONICAL SPRING 5/16	6
	400390	NUT - FLANGE LOCK 5/16-18	6
	302776	MOUNT - WIRE TIE LARGE	1
	301358	TIE - WIRE	1
33	307213	ROD - LIFT MAIN BRM PLTD	1
	400075	NUT - HEX JAM 3/8-24 ZP	1

# BODY (SHEET METAL) GROUP - CONSOLE (CONT.)

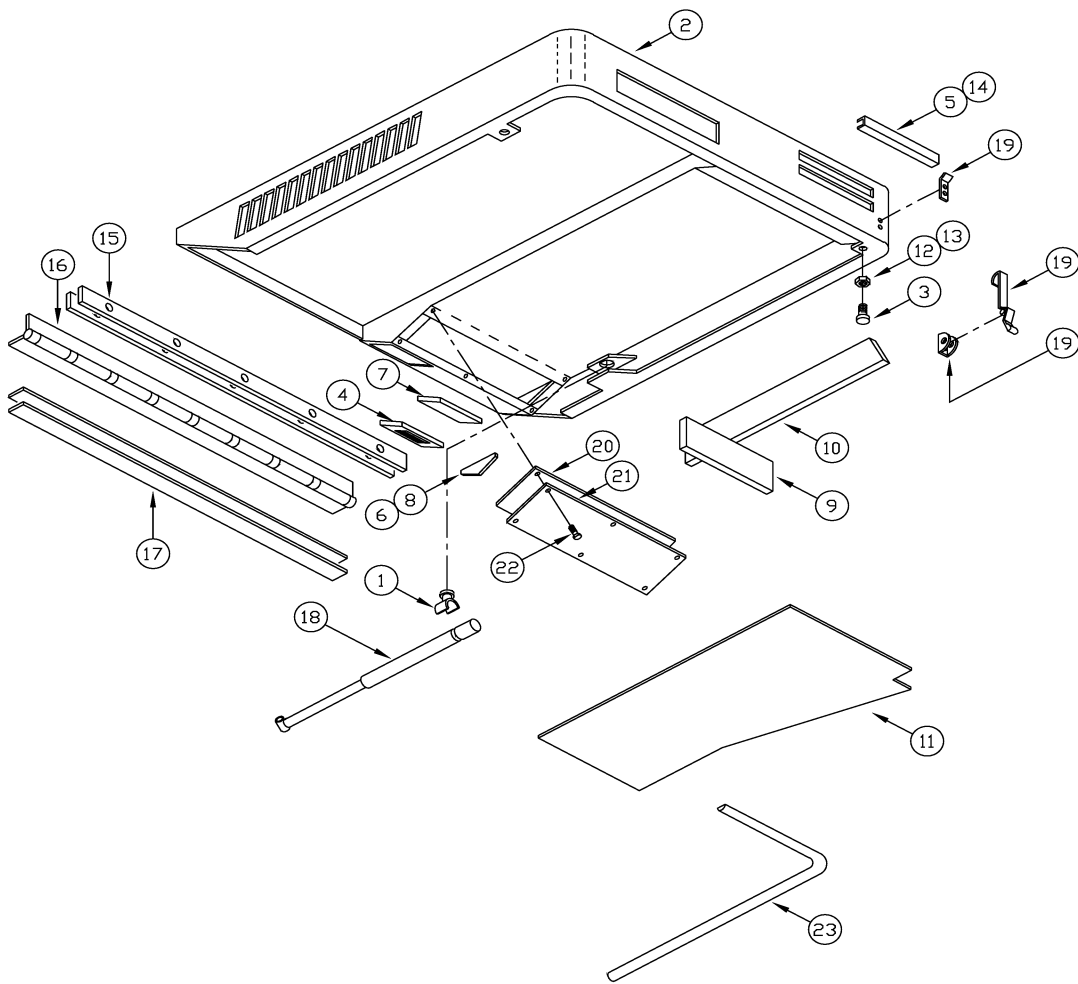


012PH001

**BODY (SHEET METAL) GROUP - CONSOLE (CONT.)**

REF#	PART #	DESCRIPTION	QUANTITY
34	300352	KNOB - MB LIFT ADJ	1
35	400091	WASHER - FENDER 1/2 ZP	1
36	400084	NUT - WING 1/2-13 ZP	1
	400118	PIN - CLEVIS 5/16 X 7/8 ZP	1
	400088	WASHER - FLAT 5/16 STANDARD ZP	1
	400125	PIN - COTTER 3/8 RUE-RING	1
	307609	CABLE - CHOKE SW/A	1
	400075	NUT - HEX JAM 3/8-24 ZP	1
	307697	CLAMP - CONDUIT	1
	400045	SCR - PHM #8-32 X .62 LG ZP	1
	400096	WASHER - FLAT #8 ZP	1
	301358	TIE - WIRE	1
	400082	NUT - HEX #8-32 ES ZP	1
	301459	BALL JOINT - #10-32 ZP	1
	400103	WASHER - LOCK 1/4 SPLIT ZP	1
	307691	CLAMP - THROTTLE SW/A	1
	400180	NUT - HEX 1/4-28 ZP	1
	301358	TIE - WIRE	1

# BODY (SHEET METAL) GROUP - ENGINE COVER



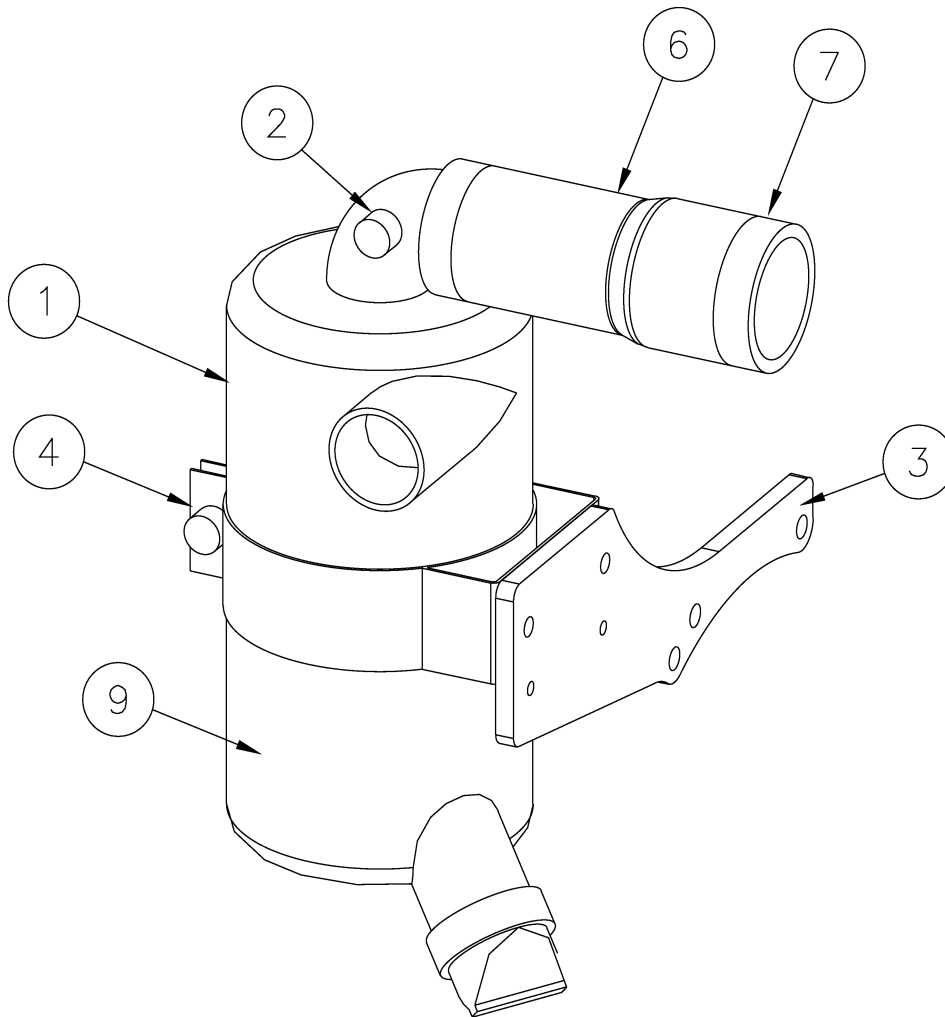
012PH002



**BODY (SHEET METAL) GROUP - ENGINE COVER**

REF#	PART #	DESCRIPTION	QUANTITY
	307072	ASSY - ENGINE COVER SUB ARMA	1
Above sub-assembly contains the following items. (1 THRU 14)			
1	300376	STUD - BALL GAS SPRING	2
2	307490	ASSY - ENGINE COVER SW/A PNTD	1
3	307639	LEVELER - 5/16-18 SW/A	2
4	307776	GASKET - IMPELLER SW/A	1
5	307819	BAFFLE - ENG COVER (TEMP) PNTD	1
6	307824	INSULATION - ENGINE COVER/IMP LH	1
7	307825	INSULATION - ENGINE COVER/IMP TOP	1
8	307827	INSULATION - ENGINE COVER/IMP RH	1
9	307844	INSULATION - ENGINE COVER BACK SW/A	1
10	307845	INSULATION - ENGINE COVER RH SW/A	1
11	307849	INSULATION - ENGINE COVER TOP SW/A	1
12	400070	NUT - HEX 5/16-18 ZP	4
13	400102	WASHER - LOCK 5/16 SPLIT ZP	2
14	400441	RIVET - POP 1/8 X 1/4 STEEL	2
15	307561	SPACER - SIDE HINGE ENG CVR PNTD	2
	400036	SCR - HHM 5/16-18 X .75 LG ZP	4
	400384	WASHER - CONICAL SPRING 5/16	4
	400390	NUT - FLANGE LOCK 5/16-18	4
16	307503	HINGE - ENG COVER SW/A PNTD	1
17	307504	SPACER - HINGE ENGINE COVER PNTD	2
	400035	SCR - HHM 5/16-18 X 1.00 LG ZP	4
	400384	WASHER - CONICAL SPRING 5/16	4
	400390	NUT - FLANGE LOCK 5/16-18	4
18	307589	GAS SPRING - ENG COVER SW/A	2
19	307719	LATCH - SOFT #C7-10	1
	400441	RIVET - POP 1/8 X 1/4 ALUM	4
20	307826	INSULATION - ENG COVER/IMP COVER	1
21	307803	PLT - INSULATION ENG COVER PNTD	1
22	400059	SCR - THM 1/4-20 X .75 LG SS	6
	301146	CLIPNUT - 1/4-20	6
23	500198	SEAL - TRIM (Also used for Cab)	5.67 ft.

**ENGINE (GASOLINE - NISSAN)  
AIR CLEANER GROUP**

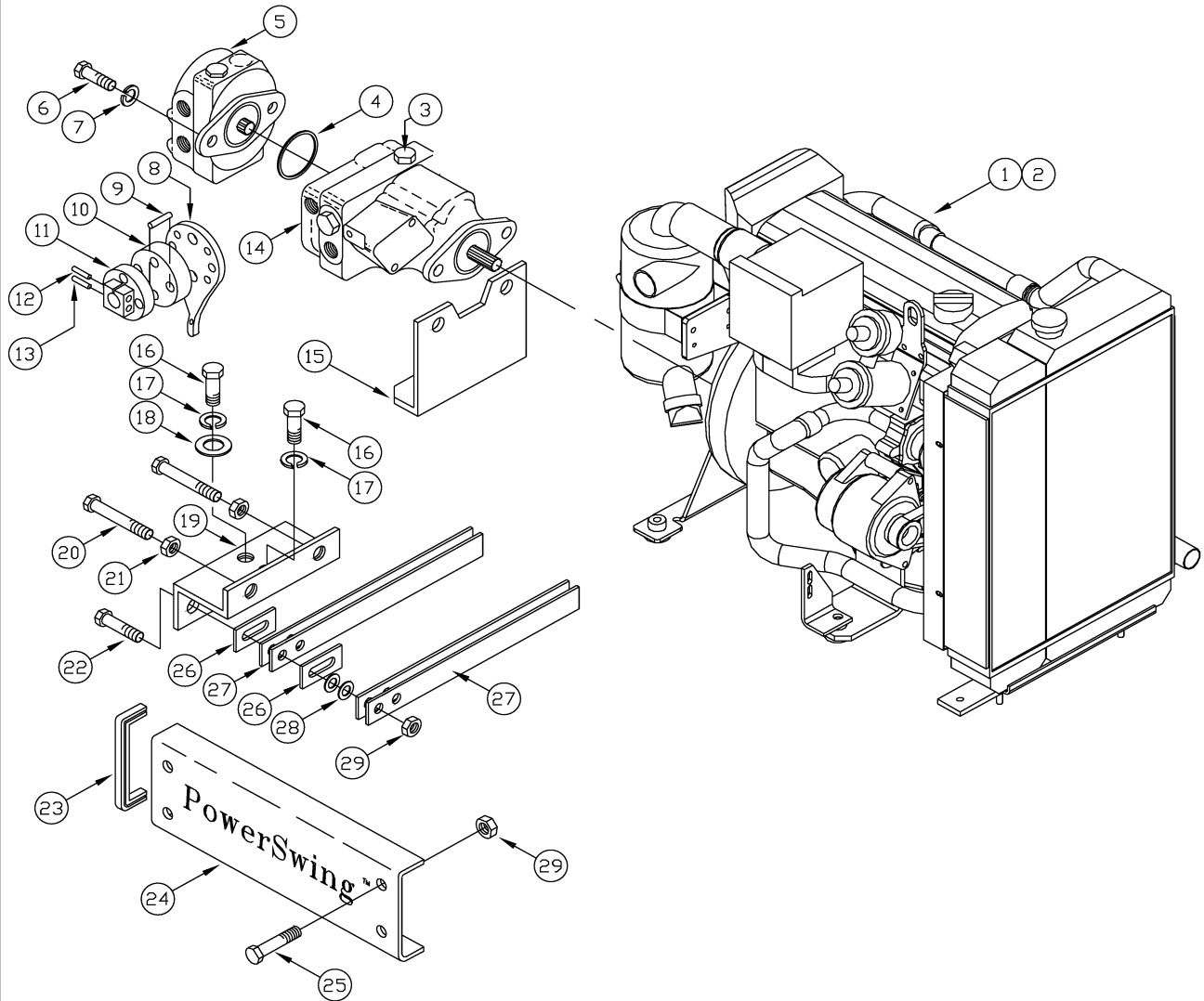


12sac

**ENGINE (GASOLINE - NISSAN)  
AIR CLEANER GROUP**

REF#	PART #	DESCRIPTION	QUANTITY
001	317917	AIR CLEANER ASSY	01
002	303991	RESTRICTION INDICATOR	01
003	336528	A/C MOUNTING BAND	01
004	336529	A/C MOUNT	01
005	336530	A/C HOSE	01
006	336531	BREATHER HOSE	01
007	336532	A/C HOSE CLAMPS	02
008	336533	BREATHER HOSE CLAMPS	02
009	321143	A/C ELEMENT	01

# ENGINE (GASOLINE - NISSAN) DIRECTIONAL CONTROL AND HYDRAULIC PUMPS GROUP

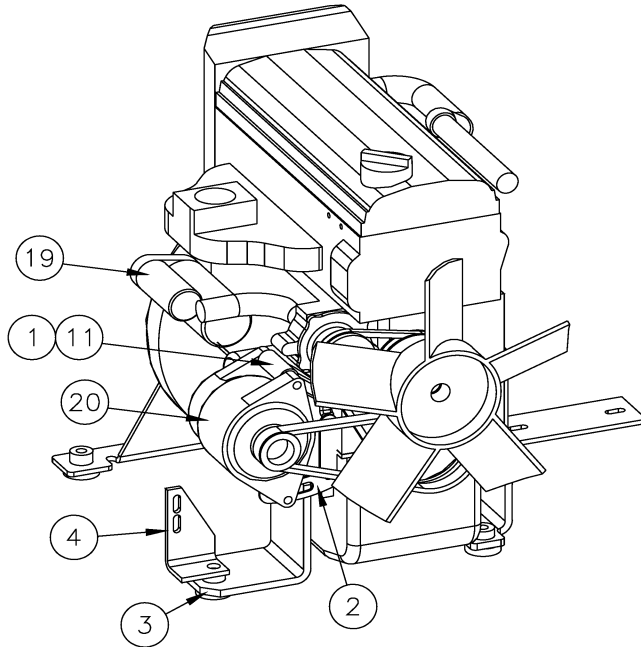


010PH001B

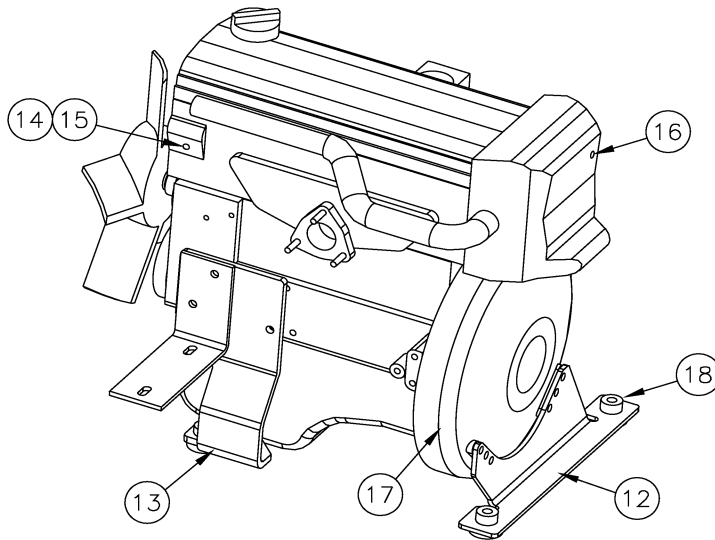
**ENGINE (GASOLINE - NISSAN)  
DIRECTIONAL CONTROL AND HYDRAULIC PUMPS GROUP**

REF#	PART #	DESCRIPTION	QUANTITY
1	335732	NISSAN - CG13 LP W/ FUEL INJ 9X	1
2	335733	NISSAN - CG13 GAS W/ FUEL INJ 9X	1
3	310054	VALVE - TOW OPTION	1
4	303711	O-RING STATIC SEAL 3.239 ID	1
5	309706	PUMP - AUX W/FLOW DIR GAS/LP	1
6	400029	SCR - HEX 3/8 - 16 X 1.25 ZP	9
7	400101	WASHER - LOCK 3/8 SPLIT ZP	9
8	307219	PLT - DIRECTIONAL CONT PLTD SW/A	1
9	400231	SCR - HEX 5/16 - 18 X 2.0 ZP	2
10	301507	COUPLING - LORD DIR CNTRL	1
11	301544	ASSY - DISC FWD/REV PLTD	1
12	400027	SCR - HEX 3/8 - 16 X 1.75 ZP	1
13	400173	SCR - HEX 1/4 - 20 X 1.75 ZP	1
14	303581	PUMP - MAIN VD FS	1
15	312231	MNT - FWD/REV DSL SW/62 PLTD	1
16	400036	SCR - HEX 5/16 - 18 X 0.75 ZP	6
17	400319	WASHER - LOCK 5/16 SPLIT - SS	10
18	400088	WASHER - FLAT 5/16 STANDARD ZP	6
19	302115	BRKT - FWD/REV PLTD	1
20	400228	SCR - HEX 5/16 - 24 X 1.5 ZP FULL TH	2
21	400069	NUT - HEX 5/16 - 24 ZP	2
22	400149	SCR - HEX 1/4 - 20 X 1.50 ZP	2
23	500117	EDGING - VINYL TRIM 3/16" X 250'	1
24	307414	COVER - ENG HOSE RET. SW/A PNTD	1
25	400433	SCR - HEX 1/4 - 20 X 2.50 ZP	4
26	303918	SPACER - FWD/REV BRKT PLTD	2
27	300543	SPRING - RETURN	4
28	400089	WASHER - FLAT 1/4 STANDARD ZP	6
29	400081	NUT - HEX 1/4 - 20 ES ZP	10

**ENGINE (GASOLINE - NISSAN)  
ENGINE MOUNTS & MISCELLANEOUS GROUP**



12SMNT

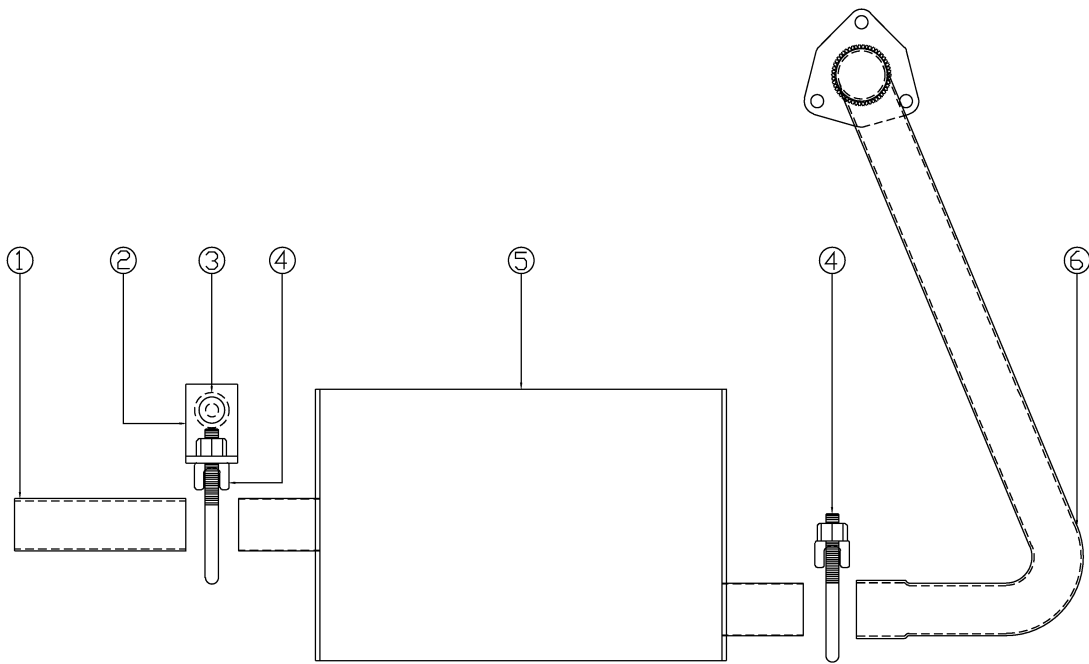


12SMNT-1

**ENGINE (GASOLINE - NISSAN)  
ENGINE MOUNTS & MISCELLANEOUS GROUP**

REF#	PART #	DESCRIPTION	QUANTITY
001	336541	ALTERNATOR MOUNT	01
002	336542	ALTERNATOR TENSIONER	01
003	336543	FRONT RT ENG SUPPORT	01
004	336544	HYD HOSE SUPP BKT.	01
005	336545	ENGINE WIRE HARNESS	01
006	336546	OIL DRAIN JOINT	01
007	336547	OIL PAN REMOTE FITT.	01
008	336549	3/8MPT TO 1/2 BARB 90	01
009	336550	1/2" ID HOSE 2'	01
010	336551	3/8 NPT PIPE PLUG	01
011	336552	M10X1.5X25 CAP SCREW	03
012	336553	REAR ENGINE SUPPORT	01
013	336554	FT LT ENG SUPPORT	01
014	336556	FITTING, ADAPTER	01
015	336557	OIL SENDING UNIT	01
016	336558	WATER TEMP SENDER	01
017	336559	HYD. PUMP MPUNT KIT	01
018	336560	ISOLATOR	04
019	336104	STARTER	01
020	336137	ALTERNATOR	01
021	336548	FUSE BOX HOLDER	01

**ENGINE (GASOLINE - NISSAN)  
EXHAUST GROUP**

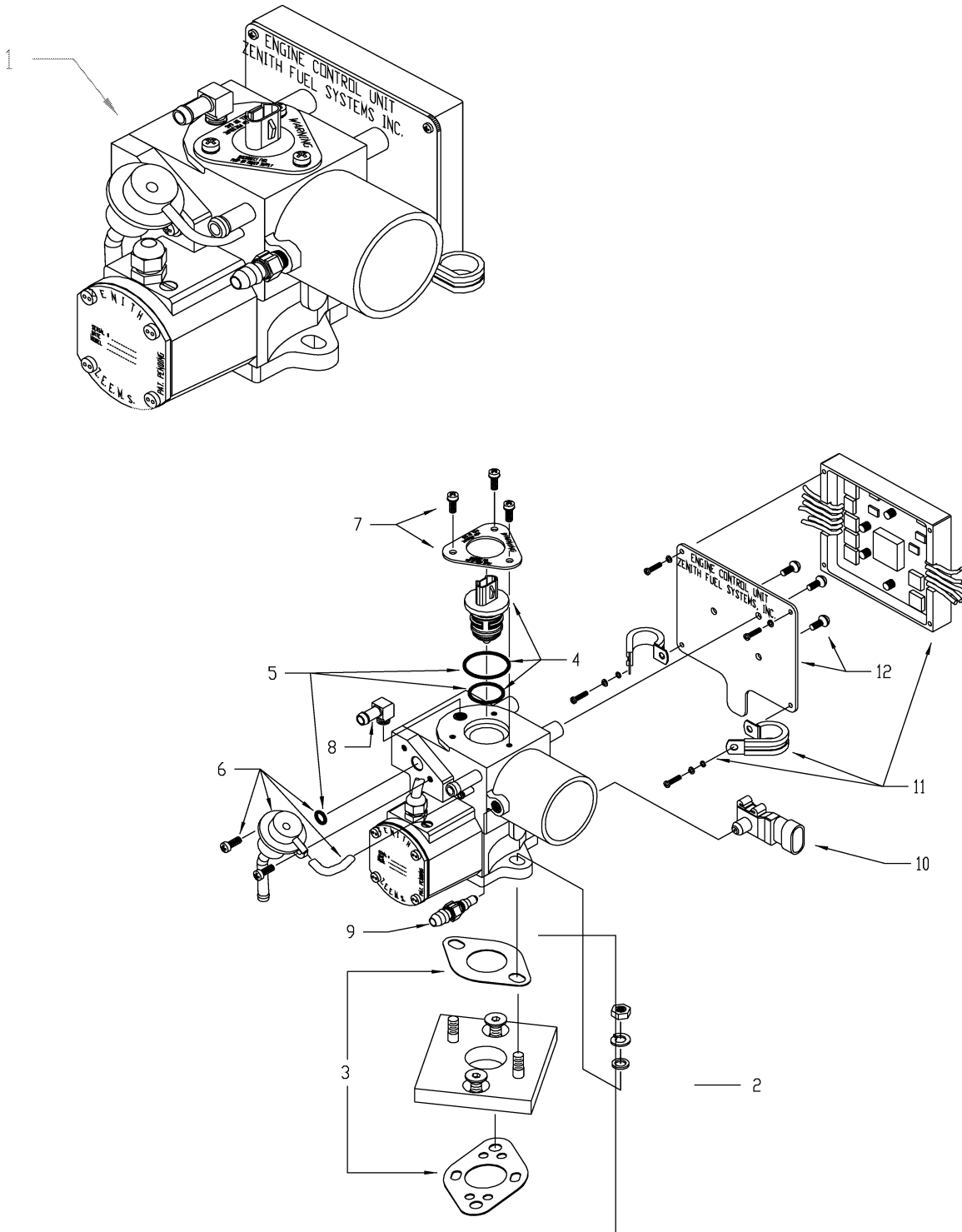




**ENGINE (GASOLINE - NISSAN)  
EXHAUST GROUP**

REF#	PART #	DESCRIPTION	QUANTITY
001	335803	PIPE - TAIL NISSAN CG13 SW/9XN	01
002	335806	BRACKET - EXHAUST SUPPORT SW/9XN	01
003	300465	MOUNT - ISOLATION	01
004	303118	CLAMP - EXHAUST 1 5/8"	01
005	335801	MUFFLER - NISSAN CG13 SW/9XN	01
006	335804	WELD - MANIFOLD PIPE SW/9XN	01

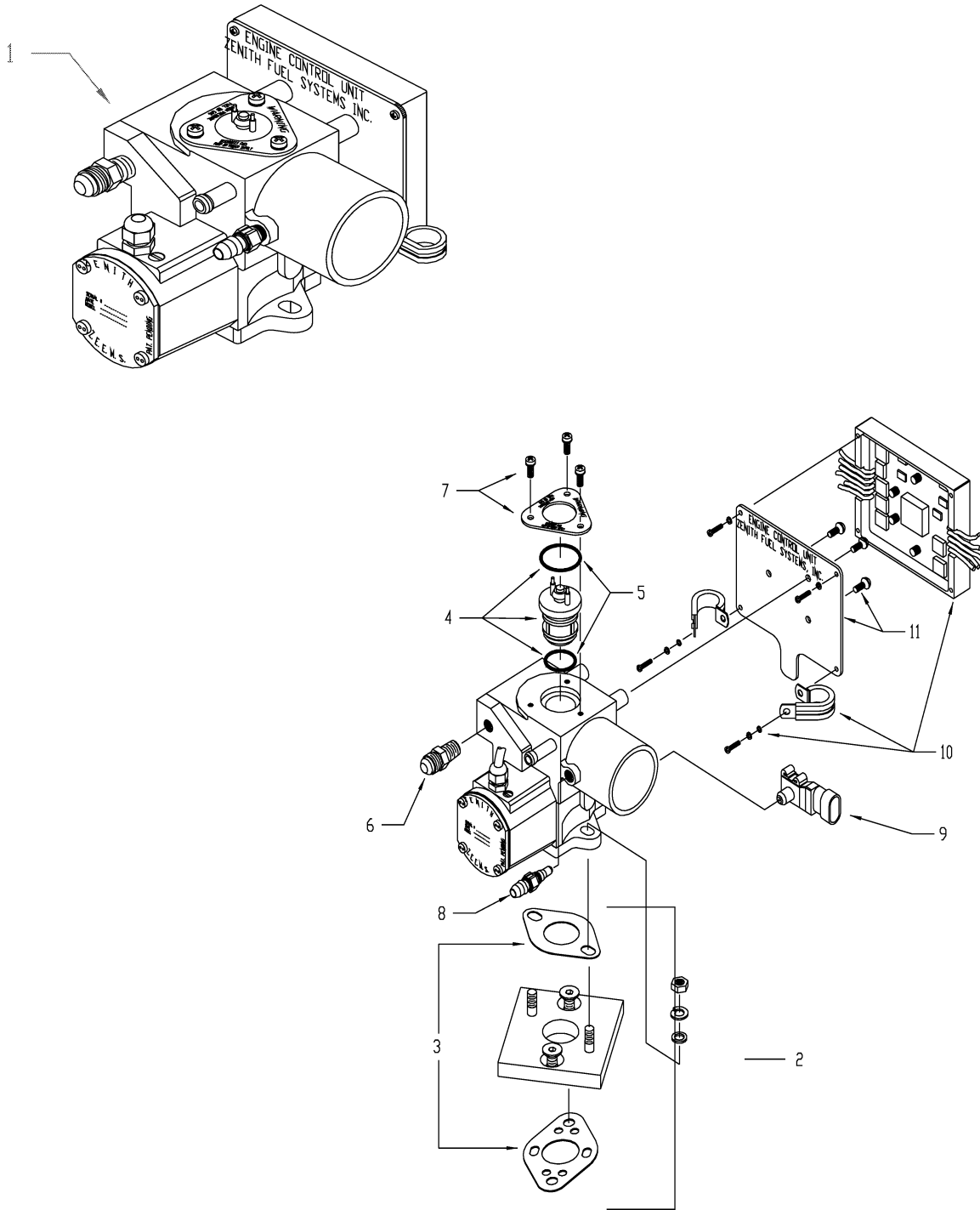
**ENGINE (GASOLINE - NISSAN)  
FUEL INJECTION (GAS) GROUP**



**ENGINE (GASOLINE - NISSAN)  
FUEL INJECTION (GAS) GROUP**

REF#	PART #	DESCRIPTION	QUANTITY
1	336106	THROTTLE BODY ASSEMBLY WITH ECU	1
2	336561	MANIFOLD ADAPTER KIT	1
3	336562	MANIFOLD GASKET KIT	1
4	336563	GASOLINE INJECTOR WITH TOP AND BOTTOM O-RINGS	1
5	336564	INJECTOR AND PRESSURE REGULATOR O-RINGS	1
6	336565	GAS PRESSURE REGULATOR W/ O-RING, HOSE, & SCREW	1
7	336566	INJECTOR MOUNTING PLATE AND SCREWS	1
8	336567	GASOLINE FUEL INLET	1
9	336568	AIR OR COOLANT TEMPERATURE SENSOR	1
10	336569	MANIFOLD ABSOLUTE PRESSURE SENSOR	1
11	336570	ELECTRONIC CONTROL UNIT - GAS W/ SCREWS, CLAMPS	1
12	336571	ECU MOUNTING PLATE AND SCREWS	1
14	336572	GAS FUEL PUMP AND MOUNTING CLAMP (NOT SHOWN)	1
15	336573	GAS FUEL FILTER WITH HOSE CLAMPS (NOT SHOWN)	1

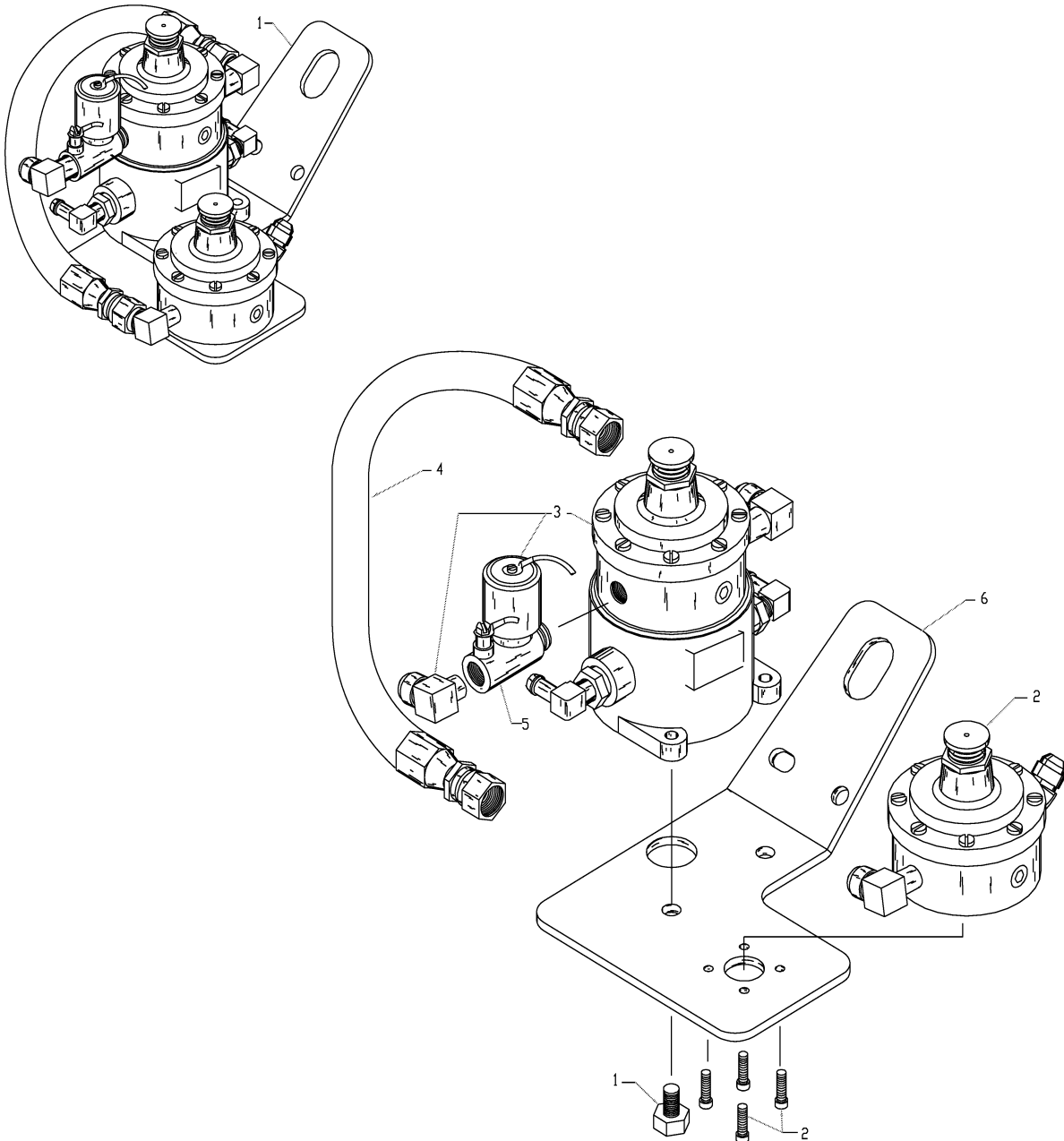
**ENGINE (GASOLINE - NISSAN)  
FUEL INJECTION (LP) GROUP**



**ENGINE (GASOLINE - NISSAN)  
FUEL INJECTION (LP) GROUP**

REF#	PART #	DESCRIPTION	QUANTITY
1	336364	THROTTLE BODY ASSEMBLY WITH ECU	1
2	336561	MANIFOLD ADAPTER KIT	1
3	336562	MANIFOLD GASKET KIT (INTAKE & THROTTLE BODY)	1
4	336576	LIQUID PROPANE GAS INJECTOR W/ TWO O-RINGS	1
5	336577	INJECTOR O-RINGS, TOP & BOTTOM	1
6	336578	LPG THROTTLE BODY FUEL INLET	1
7	336566	INJECTOR MOUNTING PLATE AND SCREWS	1
8	336568	AIR OR COOLANT TEMPERATURE SENSOR	1
9	336569	MANIFOLD ABSOLUTE PRESSURE SENSOR	1
10	336582	ELECTRONIC CONTROL UNIT - LPG W/ SCREWS, CLAMPS	1
11	336571	ECU MOUNTING PLATE AND SCREWS	1
13	336584	LPG FUEL FILTER (NOT SHOWN)	1

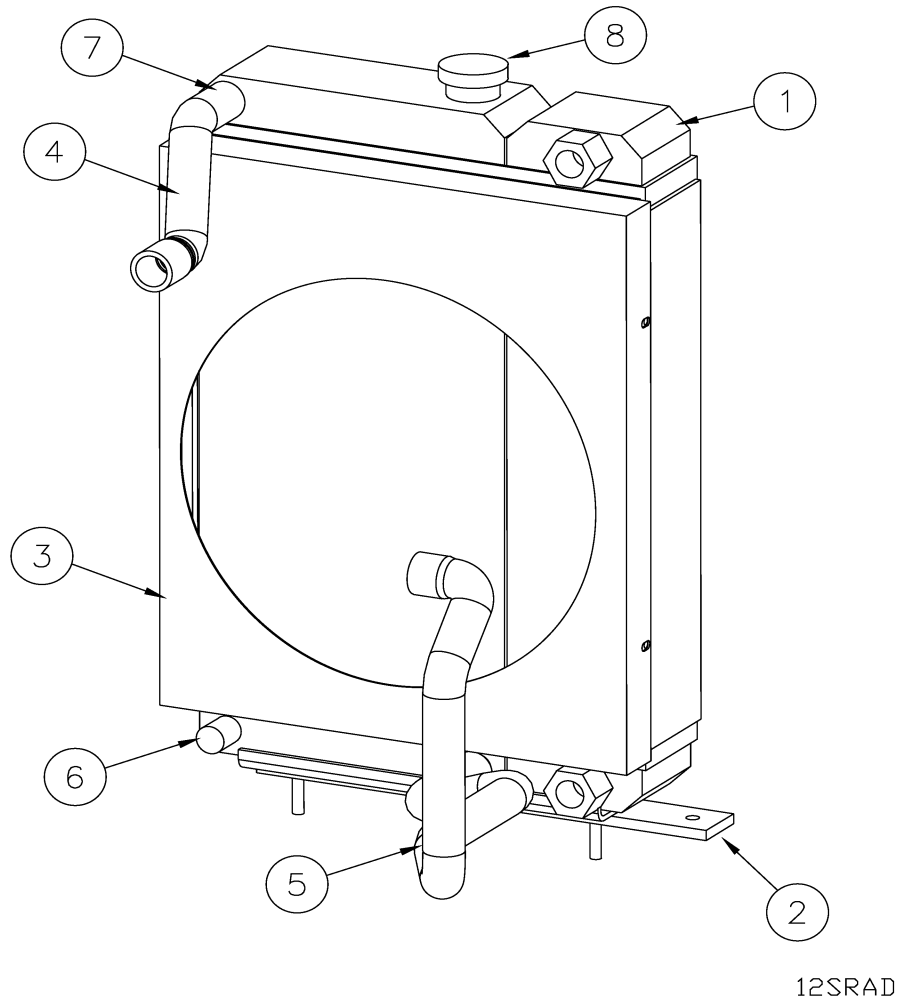
**ENGINE (GASOLINE - NISSAN)  
FUEL INJECTION (LP) GROUP  
VAPORIZER ASSEMBLY**



**ENGINE (GASOLINE - NISSAN)  
FUEL INJECTION (LP) GROUP  
VAPORIZER ASSEMBLY**

REF#	PART #	DESCRIPTION	QUANTITY
1	336585	FUEL INJECTION VAPORIZER ASSEMBLY	1
2	336586	SECONDARY LP REGULATOR ASSY W/ 4 SCREWS	1
3	336587	PRIMARY LP REGULATOR ASSY W/ 2 SCREWS	1
4	336588	LP HOSE ASSY - PRIMARY TO SECONDARY	1
5	336589	LP LOCK-OFF	1
6	336590	VAPORIZER BRACKET	1

**ENGINE (GASOLINE - NISSAN)  
RADIATOR GROUP**

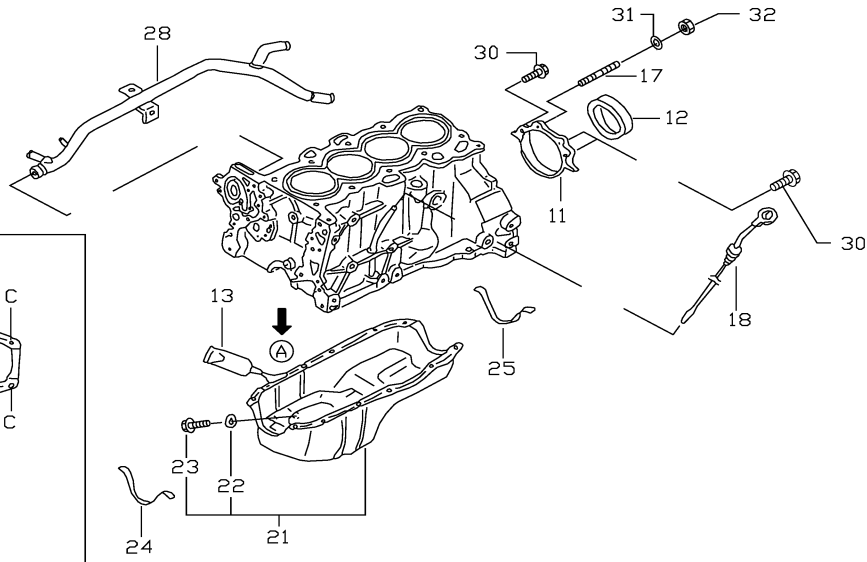




**ENGINE (GASOLINE - NISSAN)  
RADIATOR GROUP**

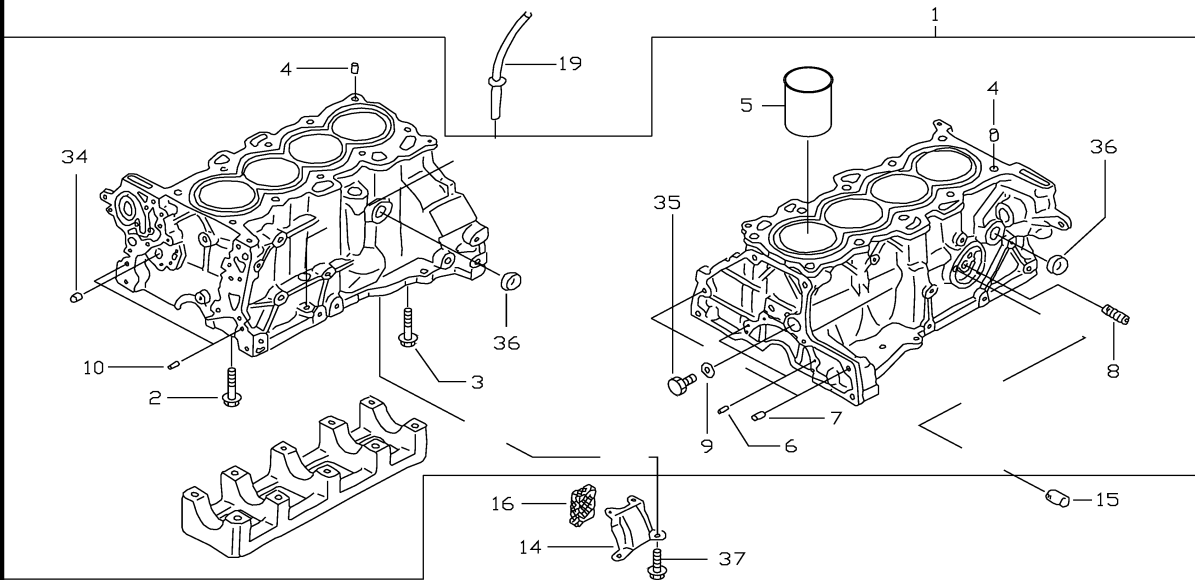
REF#	PART #	DESCRIPTION	QUANTITY
001	336103	RADIATOR/OIL COOLER	01
002	336521	RAD/OIL COOLER MOUNT	01
003	336522	RADIATOR SHROUD	01
004	336523	UPPER RAD HOSE	01
005	336524	LOWER RAD HOSE	01
006	336525	PLUG 1" RADIATOR	01
007	336526	RAD HOSE CLAMPS	05
008	336527	RAD CAP	01

## ENGINE (GASOLINE - NISSAN CG-13) SERVICE PARTS GROUP



ARROW VIEW (A)

A ...	33
B ...	26
C ...	27
WASHER	31
NUT	32

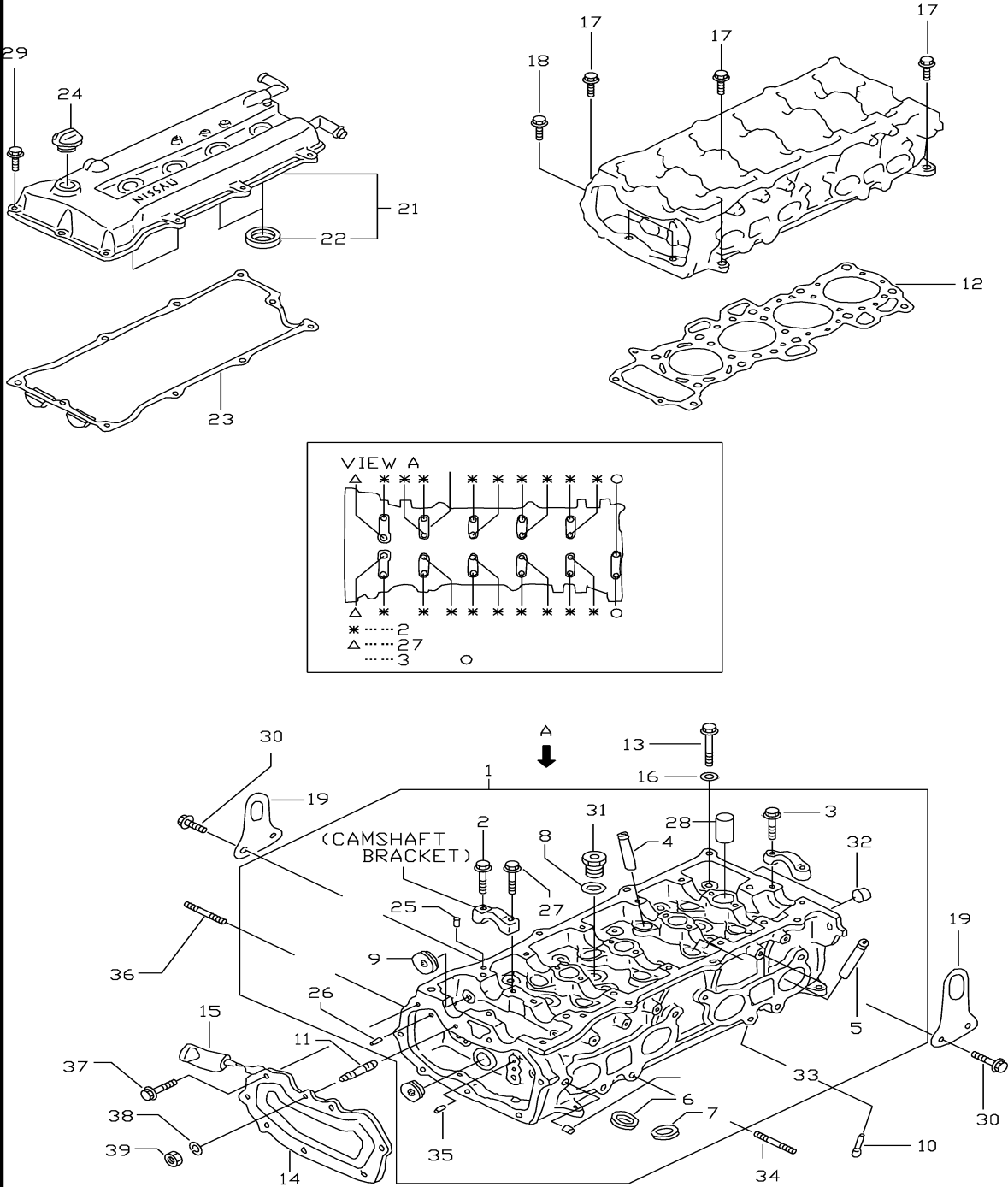


12s110

**ENGINE (GASOLINE - NISSAN CG-13)  
SERVICE PARTS GROUP**

REF#	PART #	DESCRIPTION	QUANTITY
001	336472	BLOCK ASSY-CYLINDER	01
002	336406	BOLT-MAIN BEARING CAP	06
003	336405	BOLT-MAIN BEARING CAP	04
004	336456	DOWEL-BLOCK TO HEAD	02
005	336471	LINER-CYLINDER	04
006	336460	DOWEL-BLOCK TO FRONT COVER	02
007	336102	DOWEL-BLOCK TO TRANSMISSION	02
008	336186	STUD-OIL FILTER	01
009	336469	GASKET	01
010	336470	DOWEL-BLOCK TO OIL PUMP	02
011	336404	RETAINER-OIL SEAL,REAR	01
012	336409	SEAL-OIL,CRANKSHAFT REAR	01
012	336410	SEAL-OIL,CRANKSHAFT REAR	01
013	336100	GASKET-LIQUID	**
014	336464	PLATE-BAFFLE,CRANK CASE	01
015	336185	VALVE-OIL PRESSURE REGULATOR	01
016	336465	NET-STEEL,CRANK CASE	01
017	336510	STUD	01
018	336443	GAUGE-OIL LEVEL	01
019	336177	GUIDE-OIL LEVEL GAUGE	01
021	336448	PAN ASSY-OIL	01
022	336467	GASKET	01
023	336444	PLUG-DRAIN	01
024	336446	GASKET	01
025	336445	GASKET	01
025	336447	GASKET	**
026	336511	BOLT	08
027	336466	BOLT	02
028	336175	PIPE-WATER PUMP	01
030	336499	BOLT	03
031	336479	WASHER	03
032	336482	NUT	03
033	336497	BOLT	02
034	336515	PLUG	01
035	336474	PLUG	01
036	336516	PLUG	02
037	336499	BOLT	04

### ENGINE (GASOLINE - NISSAN CG-13) SERVICE PARTS GROUP (Cont.)

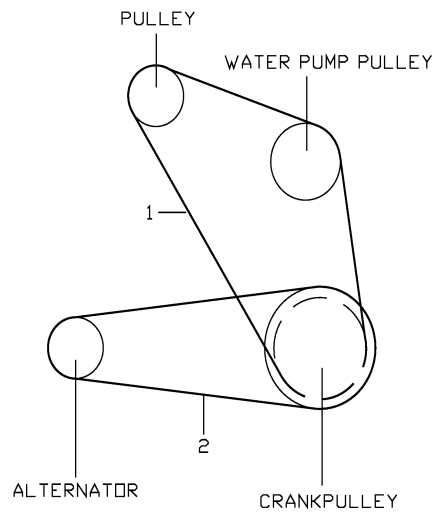


12s111

**ENGINE (GASOLINE - NISSAN CG-13)  
SERVICE PARTS GROUP (Cont.)**

REF#	PART #	DESCRIPTION	QUANTITY
001	336463	HEAD ASSY-CYLINDER	01
002	336384	BOLT-CAMSHAFT BRACKET	18
003	336383	BOLT-CAMSHAFT BRACKET	02
004	336367	GUIDE-VALVE,INTAKE	08
005	336366	GUIDE-VALVE,EXHAUST	08
006	336450	SEAT-VALVE,INTAKE	08
007	336449	SEAT-VALVE,EXHAUST	08
008	336468	GASKET	02
009	336457	PLUG-WELCH	01
010	336459	JET-OIL,CYLINDER HEAD	01
011	336509	STUD	02
012	336462	GASKET-CYLINDER HEAD	01
013	336455	BOLT-CYLINDER HEAD	10
014	336461	COVER-CYLINDER HEAD	01
015	336100	GASKET-FLUID	**
016	336454	WASHER-PLAIN	10
017	336514	BOLT	03
018	336513	BOLT	02
019	336473	SLINGER-ENGINE	02
021	336217	COVER ASSY-VALVE ROCKER	01
022	336215	SEAL-OIL,ROCKER COVER	04
023	336216	GASKET-ROCKER COVER	01
024	336184	CAP ASSY-OIL FILLER	01
025	336419	PLUG-CRANKSHAFT OIL HOLE	02
026	336458	PLUG-BLIND	02
027	336385	BOLT-CAMSHAFT BRACKET	02
028	336451	TUBE-SPARK PLUG	04
029	336483	BOLT	10
030	336487	BOLT	04
031	336475	PLUG	02
032	336517	PLUG	02
033	336476	PLUG	01
034	336484	STUD	08
035	336520	PLUG	01
036	336485	STUD	02
037	336498	BOLT	06
038	336478	WASHER	02
039	336481	NUT	02

**ENGINE (GASOLINE - NISSAN CG-13)  
SERVICE PARTS GROUP (Cont.)**

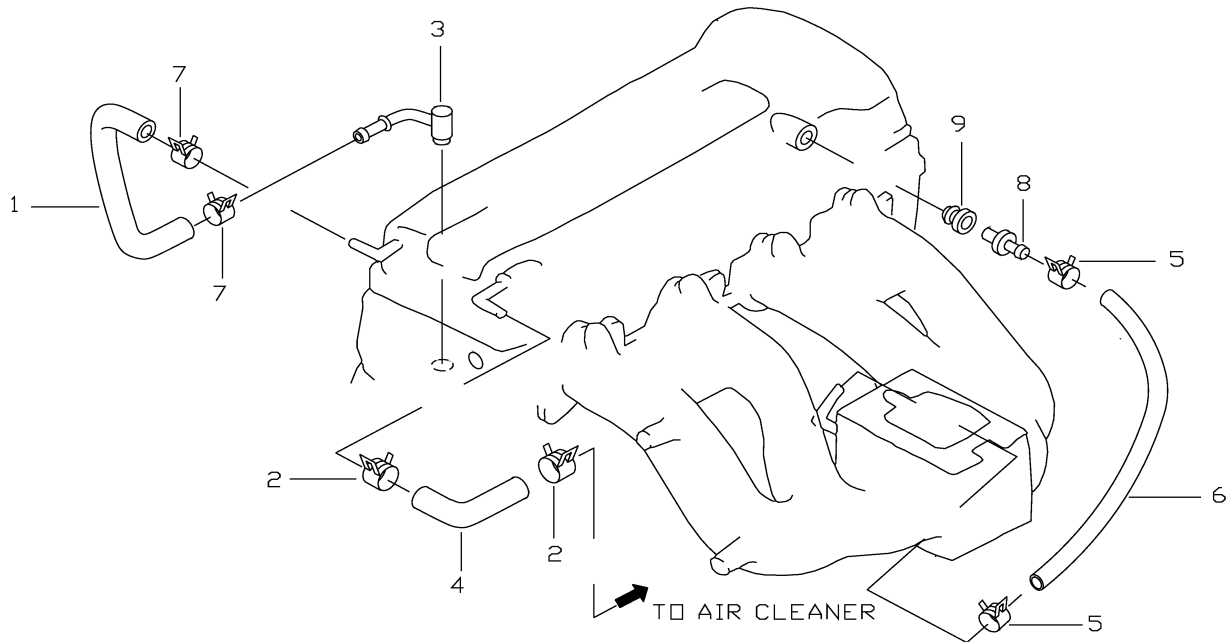


12s117

**ENGINE (GASOLINE - NISSAN CG-13)  
SERVICE PARTS GROUP (Cont.)**

REF#	PART #	DESCRIPTION	QUANTITY
001	336441	BELT-FAN	01
002	336442	BELT-ALTERNATOR	01

**ENGINE (GASOLINE - NISSAN CG-13)  
SERVICE PARTS GROUP (Cont.)**



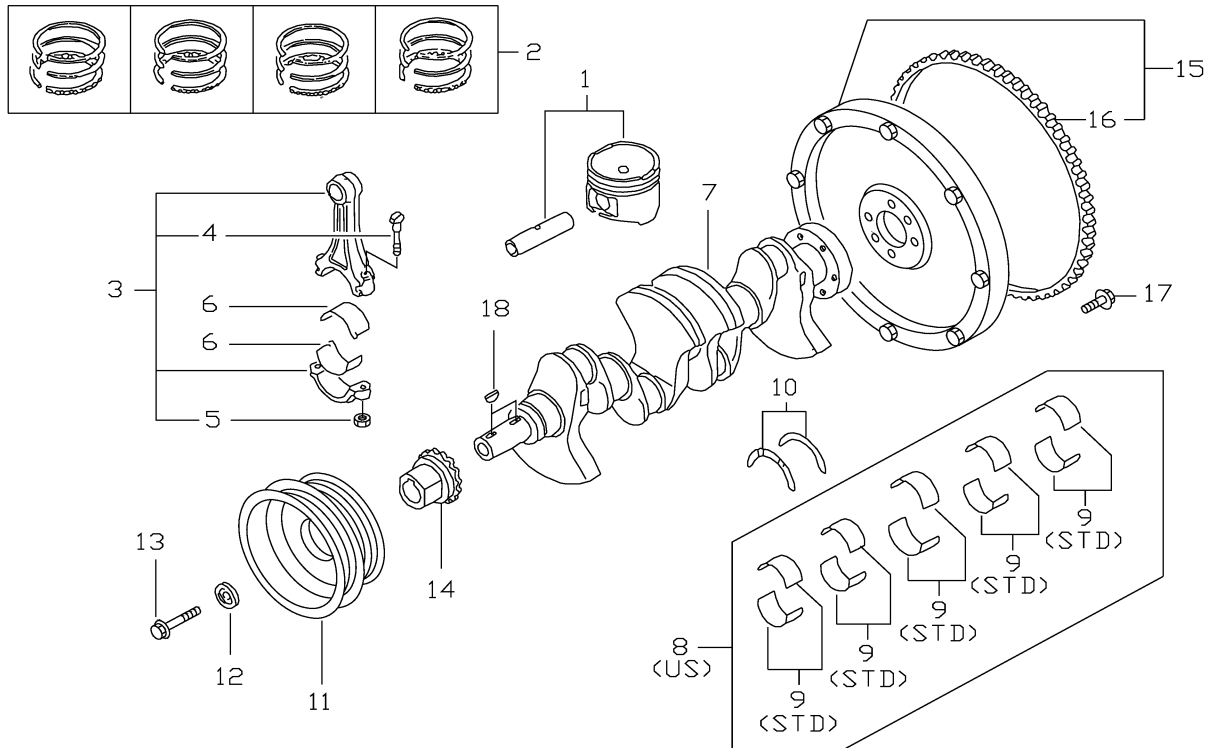
12s118



**ENGINE (GASOLINE - NISSAN CG-13)  
SERVICE PARTS GROUP (Cont.)**

REF#	PART #	DESCRIPTION	QUANTITY
001	336437	HOSE-BLOW BY,A	01
002	336180	CLAMP-HOSE,B	02
003	336435	PIPE ASSY-BLOW BY	01
004	336436	HOSE-BLOW BY,A	01
005	336180	CLAMP-HOSE	02
006	336438	HOSE-BLOWBY GAS	01
007	336183	CLAMP-HOSE	02
008	336440	VALVE ASSY-CONTROL	01
009	336439	INSULATOR-PCV VALVE	01

### ENGINE (GASOLINE - NISSAN CG-13) SERVICE PARTS GROUP (Cont.)

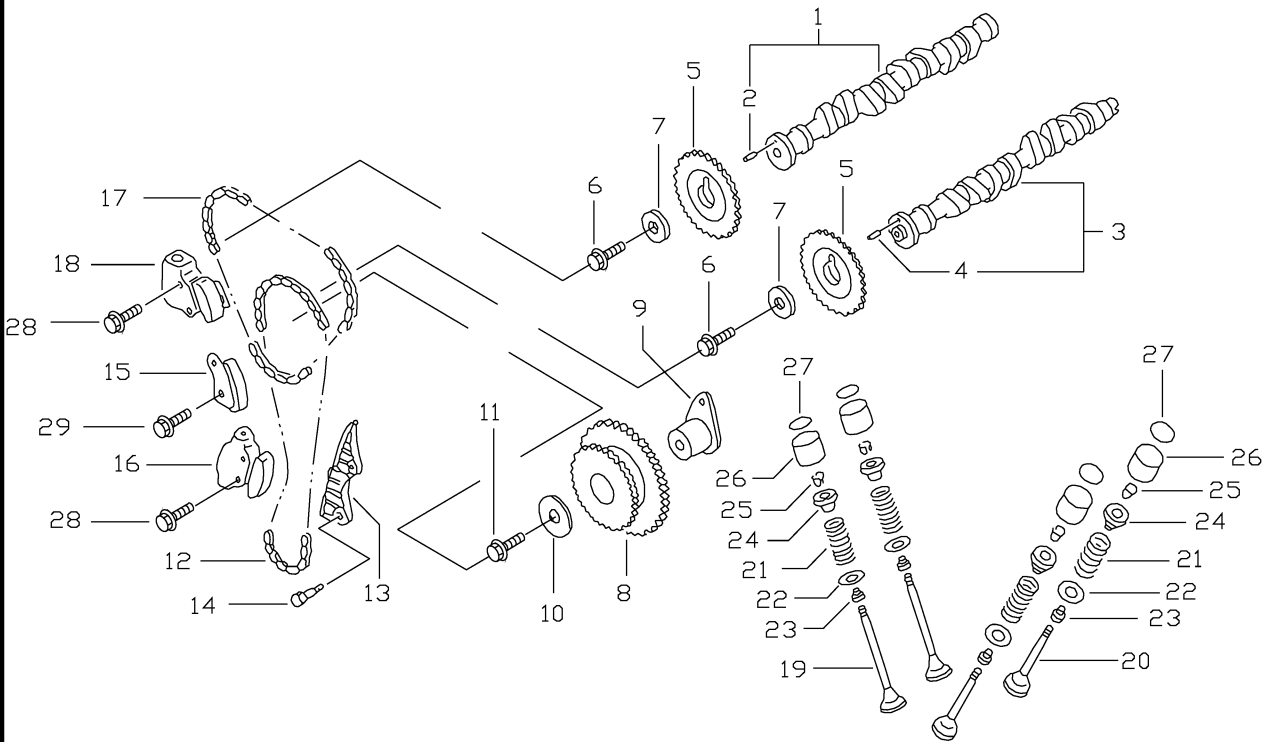


125120

**ENGINE (GASOLINE - NISSAN CG-13)  
SERVICE PARTS GROUP (Cont.)**

REF#	PART #	DESCRIPTION	QUANTITY
001	336430	PISTON,W/PIN OS=0.20	04
001	336431	PISTON,W/PIN STD GRADE 3	04
001	336432	PISTON,W/PIN STD GRADE 2	04
001	336433	PISTON,W/PIN STD GRADE 1	04
002	336428	RING SET-PISTON OS=0.20	04
002	336429	RING SET-PISTON STD	04
003	336427	ROD COMPL-CONNECTING	04
004	336426	BOLT-CONNECTING ROD	08
005	336423	NUT-CONNECTING ROD	08
006	336421	BEARING-CONNECTING ROD US=0.25 NDC	08
006	336422	BEARING-CONNECTING ROD US=0.25 DIADO	08
006	336424	BEARING-CONNECTING ROD STD NDC	08
006	336425	BEARING-CONNECTING ROD STD DIADO	08
007	336420	CRANKSHAFT ASSY	01
008	336411	BEARING SET-CRANKSHAFT US=0.25	05
009	336412	BEARING-CRANKSHAFT STD GRADE 6	10
009	336413	BEARING-CRANKSHAFT STD GRADE 5	10
009	336414	BEARING-CRANKSHAFT STD GRADE 4	10
009	336415	BEARING-CRANKSHAFT STD GRADE 3	10
009	336416	BEARING-CRANKSHAFT STD GRADE 2	10
009	336417	BEARING-CRANKSHAFT STD GRADE 1	10
009	336418	BEARING-CRANKSHAFT STD GRADE 0	10
010	336407	WASHER-THRUST	02
010	336408	WASHER-THRUST	02
011	336403	PULLEY-CRANKSHAFT	01
012	336402	WASHER-PULLEY,CRANKSHAFT	01
013	336401	BOLT-PULLEY,CRANKSHAFT	01
014	336390	SPROCKET-CRANKSHAFT	01
015	336400	FLYWHEEL ASSY	01
016	336399	GEAR-RING	01
017	336398	BOLT-FLYWHEEL	06
018	336519	KEY	02

**ENGINE (GASOLINE - NISSAN CG-13)  
SERVICE PARTS GROUP (Cont.)**



125130

**ENGINE (GASOLINE - NISSAN CG-13)  
SERVICE PARTS GROUP (Cont.)**

REF#	PART #	DESCRIPTION	QUANTITY
001	336391	CAMSHAFT ASSY	01
002	336386	DOWEL-CAMSHAFT	01
003	336392	CAMSHAFT ASSY	01
004	336386	DOWEL-CAMSHAFT	01
005	336389	SPROCKET-CAMSHAFT	02
006	336395	BOLT-SPROCKET,CAMSHAFT	02
007	336394	WASHER-PLAIN	02
008	336379	SPROCKET ASSY-IDLER	01
009	336393	SHAFT-IDLER GEAR	01
010	336397	PLATE-IDLER GEAR	01
011	336396	BOLT-SPROCKET,CAMSHAFT	01
012	336388	CHAIN-TIMING	01
013	336378	GUIDE-CHAIN,TENSION SIDE	01
014	336380	BOLT-TENSIONER	02
015	336377	GUIDE-CHAIN,SLACK SIDE	01
016	336382	TENSIONER ASSY-CHAIN	01
017	336387	CHAIN-CAMSHAFT	01
018	336381	TENSIONER ASSY-CHAIN	01
019	336376	VALVE-INTAKE	08
020	336375	VALVE-EXHAUST	08
021	336373	SPRING-VALVE,OUTER	16
021	336374	SPRING-VALVE,OUTER	16
022	336372	SEAT-VALVE SPRING,OUTER	16
023	336370	SEAL-OIL, VALVE	16
023	336371	SEAL-OIL, VALVE	16
024	336369	RETAINER-VALVE SPRING	16
025	336368	COLLET-VALVE SPRING	32
026	336218	LIFTER-VALVE	16
026	336219	LIFTER-VALVE	16
027	336315	SHIM-VALVE	T=2.00 16
027	336365	SHIM-VALVE	T=2.00 16
027	336314	SHIM-VALVE	T=2.02 16
027	336313	SHIM-VALVE	T=2.04 16
027	336363	SHIM-VALVE	T=2.04 16
027	336312	SHIM-VALVE	T=2.06 16
027	336362	SHIM-VALVE	T=2.06 16
027	336311	SHIM-VALVE	T=2.08 16
027	336361	SHIM-VALVE	T=2.08 16

**ENGINE (GASOLINE - NISSAN CG-13)  
SERVICE PARTS GROUP (Cont.)**

REF#	PART #	DESCRIPTION	QUANTITY
027	336310	SHIM-VALVE T=2.10	16
027	336360	SHIM-VALVE T=2.10	16
027	336309	SHIM-VALVE T=2.12	16
027	336359	SHIM-VALVE T=2.12	16
027	336308	SHIM-VALVE T=2.14	16
027	336358	SHIM-VALVE T=2.14	16
027	336307	SHIM-VALVE T=2.16	16
027	336357	SHIM-VALVE T=2.16	16
027	336306	SHIM-VALVE T=2.18	16
027	336356	SHIM-VALVE T=2.18	16
027	336305	SHIM-VALVE T=2.20	16
027	336355	SHIM-VALVE T=2.20	16
027	336242	SHIM-VALVE T=2.21	16
027	336265	SHIM-VALVE T=2.21	16
027	336304	SHIM-VALVE T=2.22	16
027	336354	SHIM-VALVE T=2.22	16
027	336241	SHIM-VALVE T=2.23	16
027	336264	SHIM-VALVE T=2.23	16
027	336303	SHIM-VALVE T=2.24	16
027	336353	SHIM-VALVE T=2.24	16
027	336240	SHIM-VALVE T=2.25	16
027	336263	SHIM-VALVE T=2.25	16
027	336302	SHIM-VALVE T=2.26	16
027	336352	SHIM-VALVE T=2.26	16
027	336239	SHIM-VALVE T=2.27	16
027	336262	SHIM-VALVE T=2.27	16
027	336301	SHIM-VALVE T=2.28	16
027	336351	SHIM-VALVE T=2.28	16
027	336238	SHIM-VALVE T=2.29	16
027	336261	SHIM-VALVE T=2.29	16
027	336300	SHIM-VALVE T=2.30	16
027	336350	SHIM-VALVE T=2.30	16
027	336237	SHIM-VALVE T=2.31	16
027	336260	SHIM-VALVE T=2.31	16
027	336299	SHIM-VALVE T=2.32	16
027	336349	SHIM-VALVE T=2.32	16
027	336236	SHIM-VALVE T=2.33	16
027	336259	SHIM-VALVE T=2.33	16
027	336298	SHIM-VALVE T=2.34	16

**ENGINE (GASOLINE - NISSAN CG-13)  
SERVICE PARTS GROUP (Cont.)**

REF#	PART #	DESCRIPTION	QUANTITY
027	336348	SHIM-VALVE T=2.34	16
027	336235	SHIM-VALVE T=2.35	16
027	336258	SHIM-VALVE T=2.35	16
027	336297	SHIM-VALVE T=2.36	16
027	336347	SHIM-VALVE T=2.36	16
027	336234	SHIM-VALVE T=2.37	16
027	336257	SHIM-VALVE T=2.37	16
027	336296	SHIM-VALVE T=2.38	16
027	336346	SHIM-VALVE T=2.38	16
027	336233	SHIM-VALVE T=2.39	16
027	336256	SHIM-VALVE T=2.39	16
027	336295	SHIM-VALVE T=2.40	16
027	336345	SHIM-VALVE T=2.40	16
027	336232	SHIM-VALVE T=2.41	16
027	336255	SHIM-VALVE T=2.41	16
027	336294	SHIM-VALVE T=2.42	16
027	336344	SHIM-VALVE T=2.42	16
027	336231	SHIM-VALVE T=2.43	16
027	336254	SHIM-VALVE T=2.43	16
027	336293	SHIM-VALVE T=2.44	16
027	336343	SHIM-VALVE T=2.44	16
027	336230	SHIM-VALVE T=2.45	16
027	336253	SHIM-VALVE T=2.45	16
027	336292	SHIM-VALVE T=2.46	16
027	336342	SHIM-VALVE T=2.46	16
027	336229	SHIM-VALVE T=2.47	16
027	336252	SHIM-VALVE T=2.47	16
027	336291	SHIM-VALVE T=2.48	16
027	336341	SHIM-VALVE T=2.48	16
027	336228	SHIM-VALVE T=2.49	16
027	336251	SHIM-VALVE T=2.49	16
027	336290	SHIM-VALVE T=2.50	16
027	336340	SHIM-VALVE T=2.50	16
027	336227	SHIM-VALVE T=2.51	16
027	336250	SHIM-VALVE T=2.51	16
027	336289	SHIM-VALVE T=2.52	16
027	336339	SHIM-VALVE T=2.52	16
027	336226	SHIM-VALVE T=2.53	16
027	336249	SHIM-VALVE T=2.53	16

**ENGINE (GASOLINE - NISSAN CG-13)  
SERVICE PARTS GROUP (Cont.)**

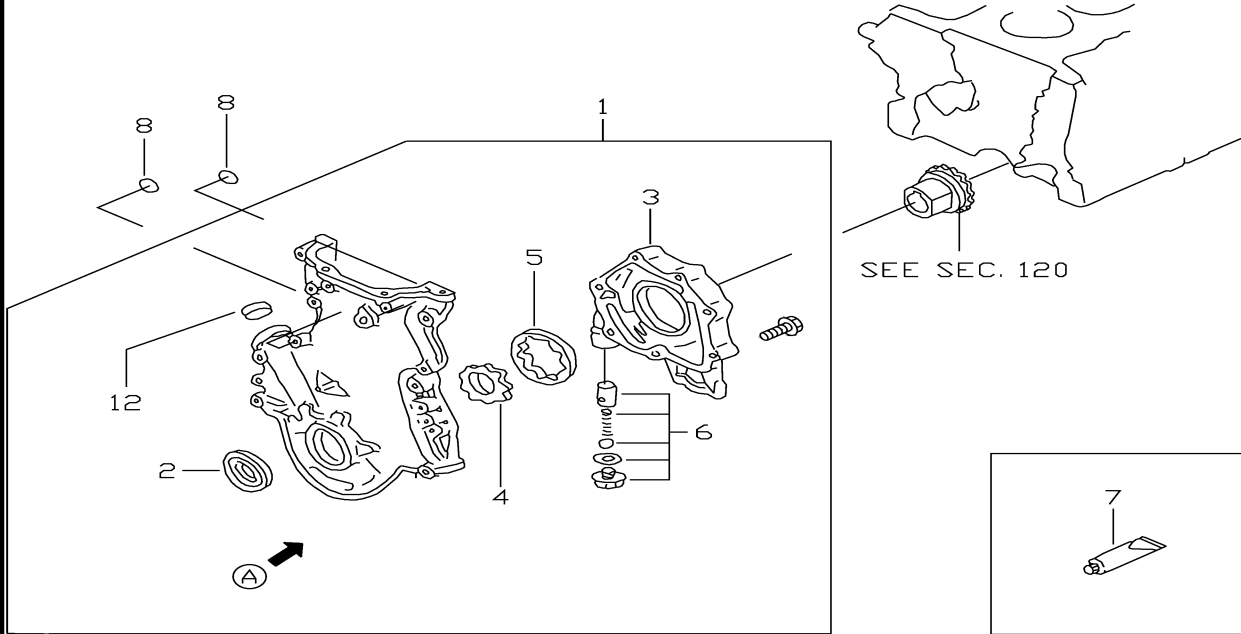
REF#	PART #	DESCRIPTION	QUANTITY
027	336288	SHIM-VALVE T=2.54	16
027	336338	SHIM-VALVE T=2.54	16
027	336225	SHIM-VALVE T=2.55	16
027	336248	SHIM-VALVE T=2.55	16
027	336287	SHIM-VALVE T=2.56	16
027	336337	SHIM-VALVE T=2.56	16
027	336224	SHIM-VALVE T=2.57	16
027	336247	SHIM-VALVE T=2.57	16
027	336286	SHIM-VALVE T=2.58	16
027	336336	SHIM-VALVE T=2.58	16
027	336223	SHIM-VALVE T=2.59	16
027	336246	SHIM-VALVE T=2.59	16
027	336285	SHIM-VALVE T=2.60	16
027	336335	SHIM-VALVE T=2.60	16
027	336222	SHIM-VALVE T=2.61	16
027	336245	SHIM-VALVE T=2.61	16
027	336284	SHIM-VALVE T=2.62	16
027	336334	SHIM-VALVE T=2.62	16
027	336221	SHIM-VALVE T=2.63	16
027	336244	SHIM-VALVE T=2.63	16
027	336283	SHIM-VALVE T=2.64	16
027	336333	SHIM-VALVE T=2.64	16
027	336220	SHIM-VALVE T=2.65	16
027	336243	SHIM-VALVE T=2.65	16
027	336282	SHIM-VALVE T=2.66	16
027	336332	SHIM-VALVE T=2.66	16
027	336281	SHIM-VALVE T=2.68	16
027	336331	SHIM-VALVE T=2.68	16
027	336280	SHIM-VALVE T=2.70	16
027	336330	SHIM-VALVE T=2.70	16
027	336279	SHIM-VALVE T=2.72	16
027	336329	SHIM-VALVE T=2.72	16
027	336278	SHIM-VALVE T=2.74	16
027	336328	SHIM-VALVE T=2.74	16
027	336277	SHIM-VALVE T=2.76	16
027	336327	SHIM-VALVE T=2.76	16
027	336276	SHIM-VALVE T=2.78	16
027	336326	SHIM-VALVE T=2.78	16
027	336275	SHIM-VALVE T=2.80	16
027	336325	SHIM-VALVE T=2.80	16



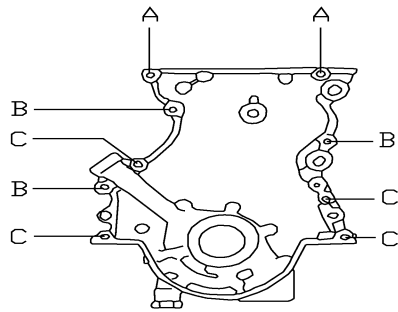
**ENGINE (GASOLINE - NISSAN CG-13)  
SERVICE PARTS GROUP (Cont.)**

REF#	PART #	DESCRIPTION	QUANTITY
027	336274	SHIM-VALVE T=2.82	16
027	336324	SHIM-VALVE T=2.82	16
027	336273	SHIM-VALVE T=2.84	16
027	336323	SHIM-VALVE T=2.84	16
027	336272	SHIM-VALVE T=2.86	16
027	336322	SHIM-VALVE T=2.86	16
027	336271	SHIM-VALVE T=2.88	16
027	336321	SHIM-VALVE T=2.88	16
027	336270	SHIM-VALVE T=2.90	16
027	336320	SHIM-VALVE T=2.90	16
027	336269	SHIM-VALVE T=2.92	16
027	336319	SHIM-VALVE T=2.92	16
027	336268	SHIM-VALVE T=2.94	16
027	336318	SHIM-VALVE T=2.94	16
027	336267	SHIM-VALVE T=2.96	16
027	336317	SHIM-VALVE T=2.96	16
027	336266	SHIM-VALVE T=2.98	16
027	336316	SHIM-VALVE T=2.98	16
028	336491	BOLT	04
029	336495	BOLT	02

**ENGINE (GASOLINE - NISSAN CG-13)  
SERVICE PARTS GROUP (Cont.)**



ARROW VIEW (A)



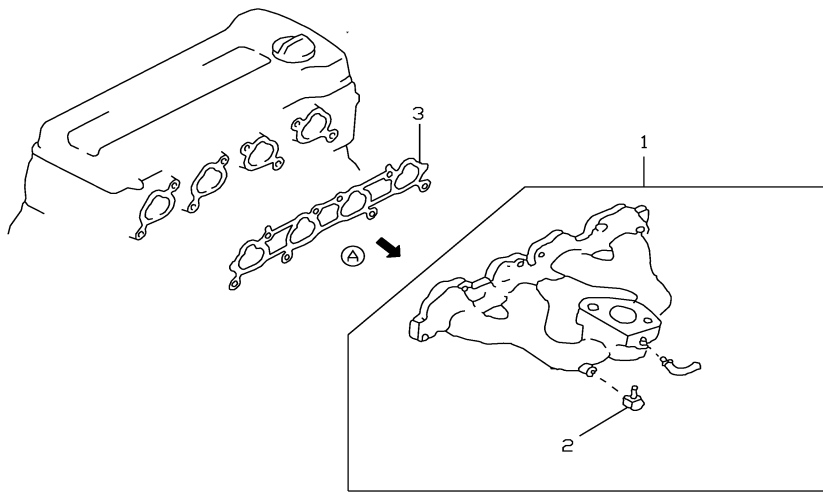
- A ..... 4
- B ..... 10
- C ..... 11

125135

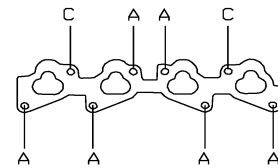
**ENGINE (GASOLINE - NISSAN CG-13)  
SERVICE PARTS GROUP (Cont.)**

REF#	PART #	DESCRIPTION	QUANTITY
001	336214	COVER ASSY-FRONT	01
002	336212	SEAL-OIL	01
002	336213	SEAL-OIL	01
003	336194	COVER-OIL PUMP	01
004	336193	GEAR-OIL PUMP,INNER	01
005	336192	GEAR-OIL PUMP OUTER	01
006	336188	VALVE SET-REGULATOR,OIL PUMP	01
007	336100	GASKET-OIL PAN	**
008	336189	GASKET-OIL PUMP TO CYLINDER BLOCK	02
009	336489	BOLT	02
010	336492	BOLT	03
011	336490	BOLT	04
012	336518	PLUG	01

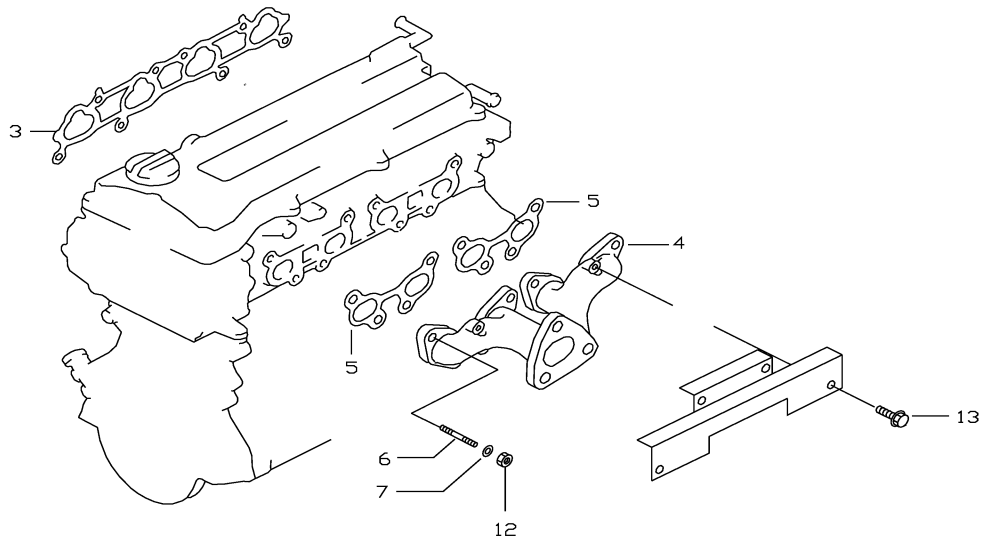
**ENGINE (GASOLINE - NISSAN CG-13)  
SERVICE PARTS GROUP (Cont.)**



ARROW VIEW (A)



- A ..... 9
- C ..... 10
- WASHER 11
- NUT 12

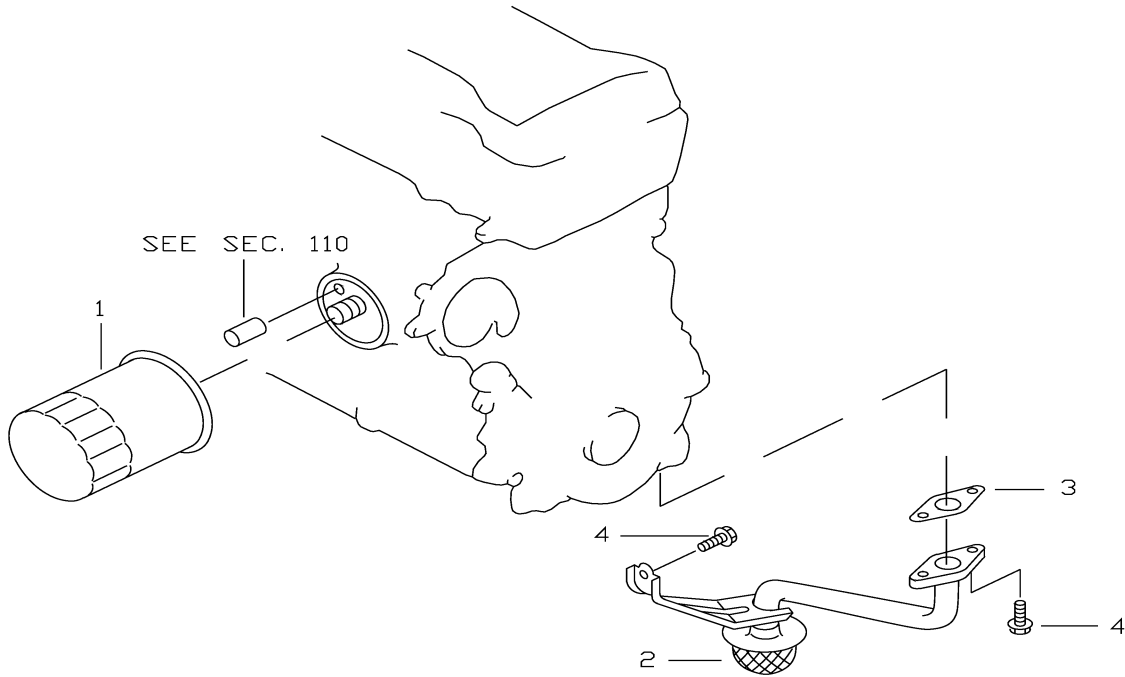


12s140

**ENGINE (GASOLINE - NISSAN CG-13)  
SERVICE PARTS GROUP (Cont.)**

REF#	PART #	DESCRIPTION	QUANTITY
001	336211	MANIFOLD-INTAKE	01
002	336195	CONNECTOR-BYPASS	01
003	336209	GASKET-MANIFOLD	01
004	336210	MANIFOLD-EXHAUST	01
005	336208	GASKET-EXHAUST MANIFOLD,A	02
006	336198	STUD	03
006	336199	STUD	08
007	336207	YOKE-MANIFOLD	08
008	336179	COVER-EXH MANIFOLD	01
009	336486	BOLT	06
010	336485	STUD	02
011	336477	WASHER	02
012	336480	NUT	02
013	336500	BOLT	02

**ENGINE (GASOLINE - NISSAN CG-13)  
SERVICE PARTS GROUP (Cont.)**

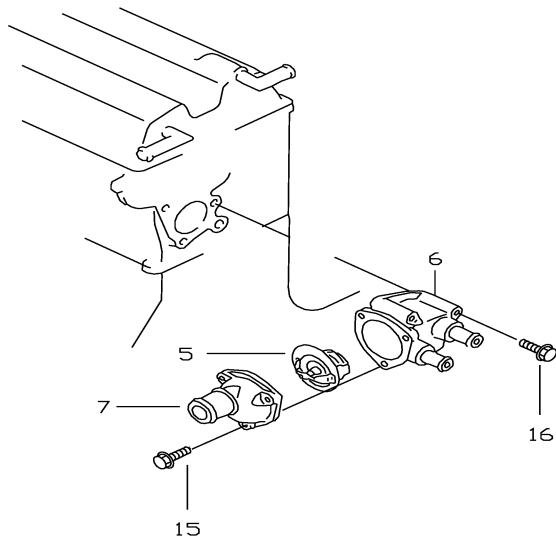
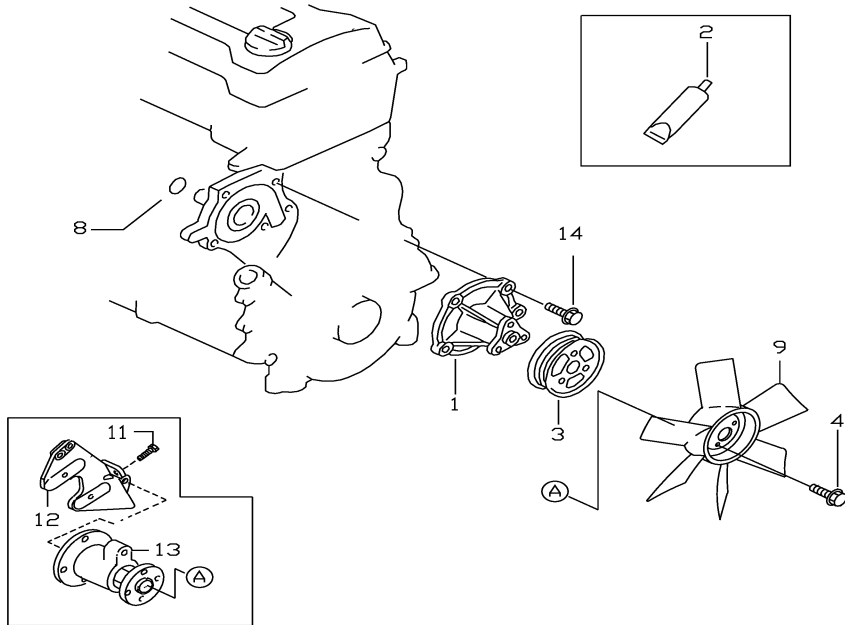


12s150

**ENGINE (GASOLINE - NISSAN CG-13)  
SERVICE PARTS GROUP (Cont.)**

REF#	PART #	DESCRIPTION	QUANTITY
001	336187	FILTER ASSY-OIL	01
002	336191	STRAINER ASSY-OIL	01
003	336190	GASKET-OIL STRAINER	01
004	336496	BOLT	03

**ENGINE (GASOLINE - NISSAN CG-13)  
SERVICE PARTS GROUP (Cont.)**



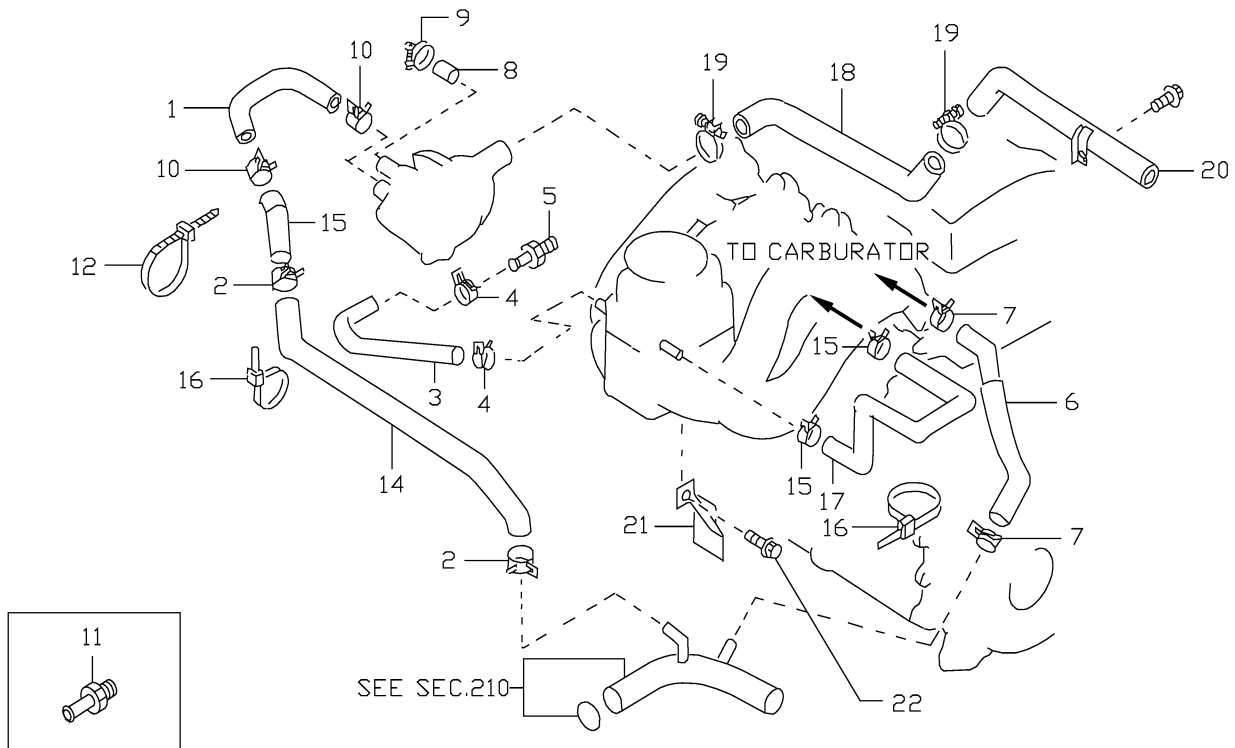
125210



**ENGINE (GASOLINE - NISSAN CG-13)  
SERVICE PARTS GROUP (Cont.)**

REF#	PART #	DESCRIPTION	QUANTITY
001	336176	PUMP ASSY-WATER	01
002	336101	GASKET-LIQUID	**
003	336171	PULLEY-FAN & WATER PUMP	01
003	336172	PULLEY-FAN & WATER PUMP	01
004	336512	BOLT	04
005	336167	THERMOSTAT ASSY	01
006	336452	HOUSING-THERMOSTAT	01
007	336453	OUTLET-WATER	01
008	336174	O RING	01
009	336170	FAN-COOLING	01
011	336434	BOLT	01
012	336168	BRACKET-FAN DRIVE	01
013	336169	BEARING ASSY-FAN DRIVE	01
014	336494	BOLT	05
015	336493	BOLT	03
016	336488	BOLT	03

**ENGINE (GASOLINE - NISSAN CG-13)  
SERVICE PARTS GROUP (Cont.)**

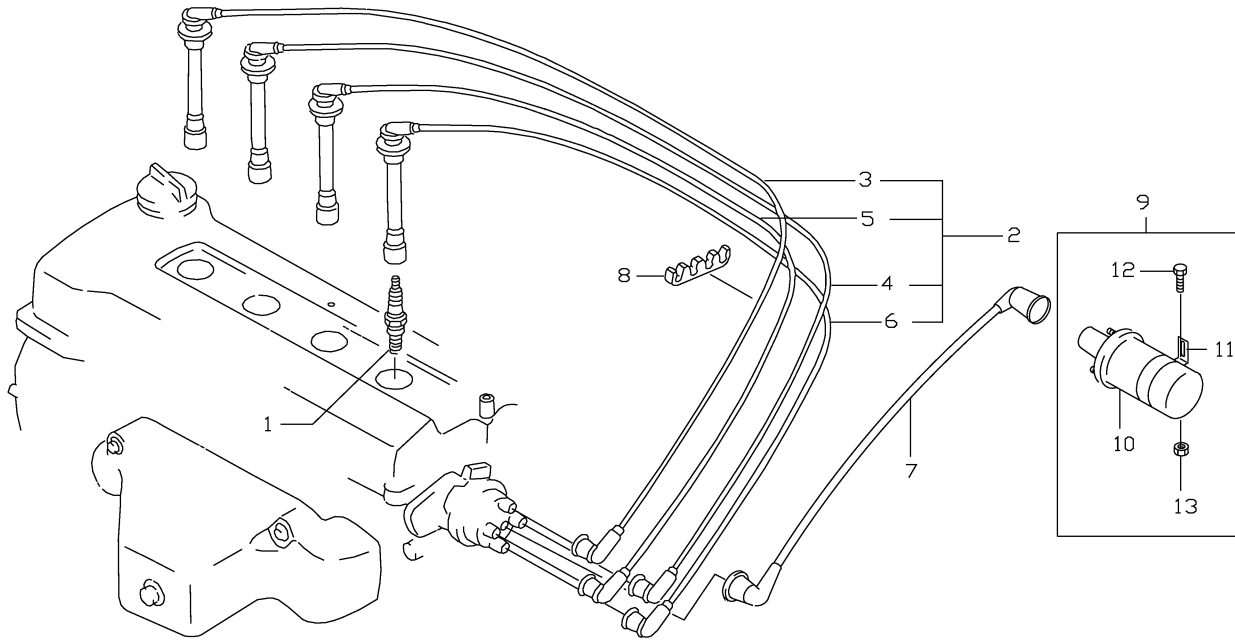


12s211

**ENGINE (GASOLINE - NISSAN CG-13)  
SERVICE PARTS GROUP (Cont.)**

REF#	PART #	DESCRIPTION	QUANTITY
001	336205	HOSE-WATER	01
002	336181	CLAMP	02
003	336203	HOSE-WATER	01
004	336182	CLAMP	02
005	336196	CONNECTOR-WATER	01
006	336204	CONNECTOR-LPG	01
007	336182	CLIP	02
008	336200	CAP-ADAPTOR DRAIN	01
009	336503	CLAMP-HOSE	01
010	336181	CLAMP	02
011	336197	CONNECTOR-HOSE	01
012	336505	CLIP	01
013	336206	PIPE-WATER A	01
014	336202	HOSE-WATER	01
015	336182	CLAMP-HOSE	02
016	336506	CLIP	02
017	336201	HOSE-WATER	01
018	336139	HOSE-RADIATER UPPER	01
019	336504	CLAMP-HOSE	02
020	336166	PIPE-HOSE,LOWER	01
021	336173	BRACKET-TUBE OIL COOLER	01
022	336487	BOLT	01

**ENGINE (GASOLINE - NISSAN CG-13)  
SERVICE PARTS GROUP (Cont.)**

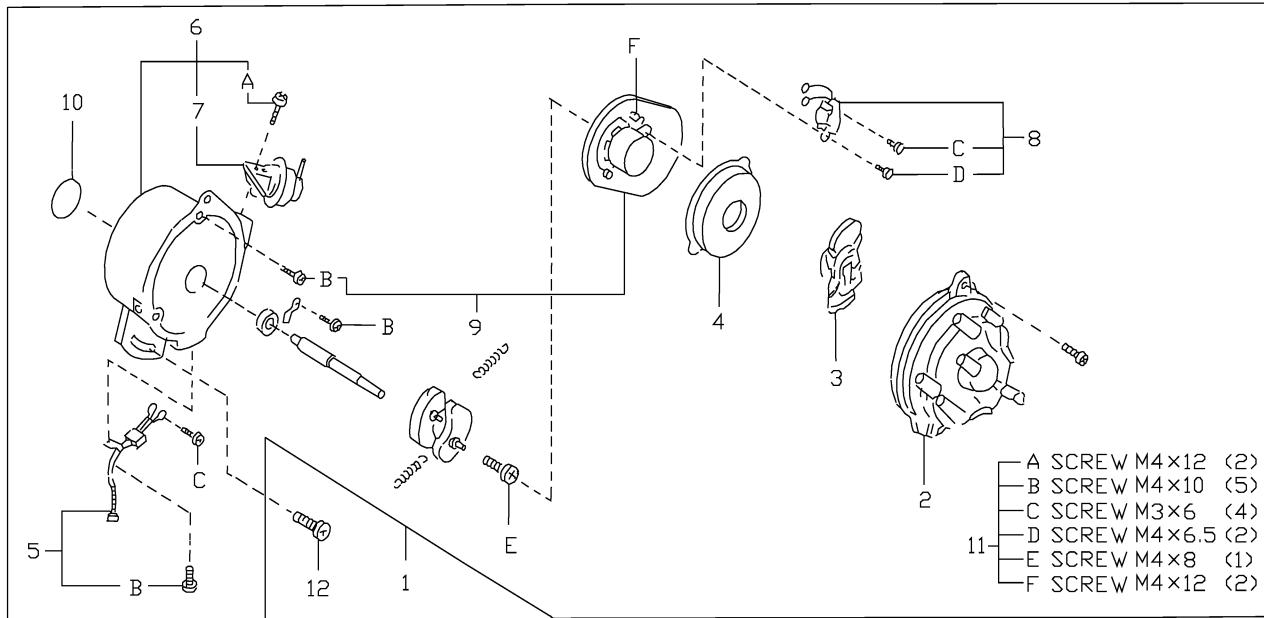


125220

**ENGINE (GASOLINE - NISSAN CG-13)  
SERVICE PARTS GROUP (Cont.)**

REF#	PART #	DESCRIPTION	QUANTITY
001	336152	PLUG-SPARK	04
001	336153	PLUG-SPARK	04
001	336154	PLUG-SPARK	04
001	336155	PLUG-SPARK	04
002	336150	CABLE SET-HIGH TENSION	01
003	336147	CABLE-HIGH TENSION,NO.1	01
004	336146	CABLE-HIGH TENSION,NO.2	01
005	336145	CABLE-HIGH TENSION,NO.3	01
006	336144	CABLE-HIGH TENSION,NO.4	01
007	336148	CABLE ASSY-IGNITION COIL TO DISTRIBUTOR	01
008	336140	CLAMP-HIGH TENSION CABLE	01
009	336151	COIL ASSY-IGNITION	01
010	336143	COIL-IGNITION	01
011	336149	BAND	01
012	336141	SCREW	01
013	336142	NUT	01

**ENGINE (GASOLINE - NISSAN CG-13)  
SERVICE PARTS GROUP (Cont.)**

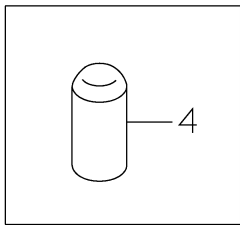
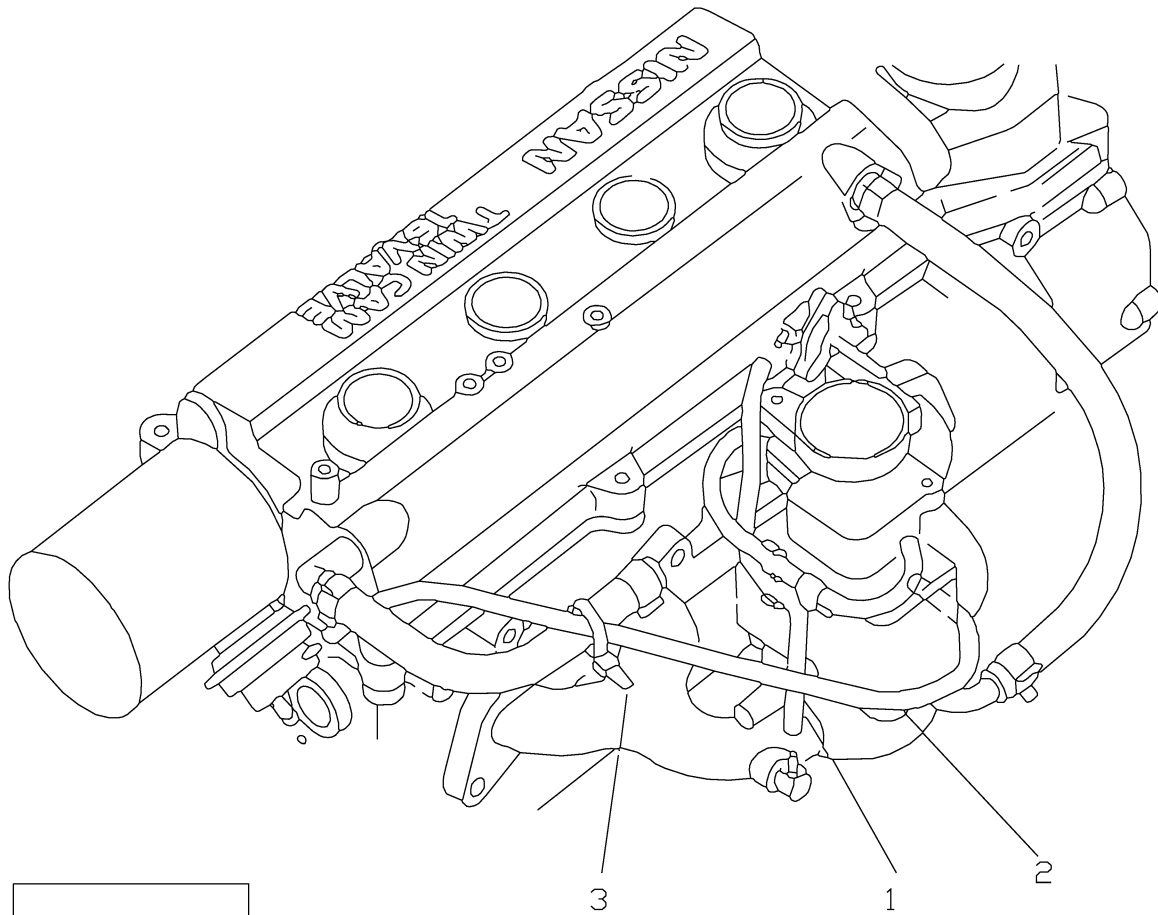


125221

**ENGINE (GASOLINE - NISSAN CG-13)  
SERVICE PARTS GROUP (Cont.)**

REF#	PART #	DESCRIPTION	QUANTITY
D01	336164	DISTRIBUTOR ASSY	01
D02	336159	CAP ASSY-DISTRIBUTOR	01
D03	336160	ROTOR-HEAD	01
D04	336162	COVER	01
D05	336158	WIRE ASSY-LEAD	01
D06	336163	HOUSING ASSY-DISTRIBUTOR	01
D07	336156	CONTROL ASSY-VACUUM	01
D08	336157	PICK UP KIT	01
D09	336165	IGNITION UNIT	01
D10	336161	SEAL-OIL	01
D11	336138	SCREW KIT	01
D12	336508	SCREW	01

**ENGINE (GASOLINE - NISSAN CG-13)  
SERVICE PARTS GROUP (Cont.)**



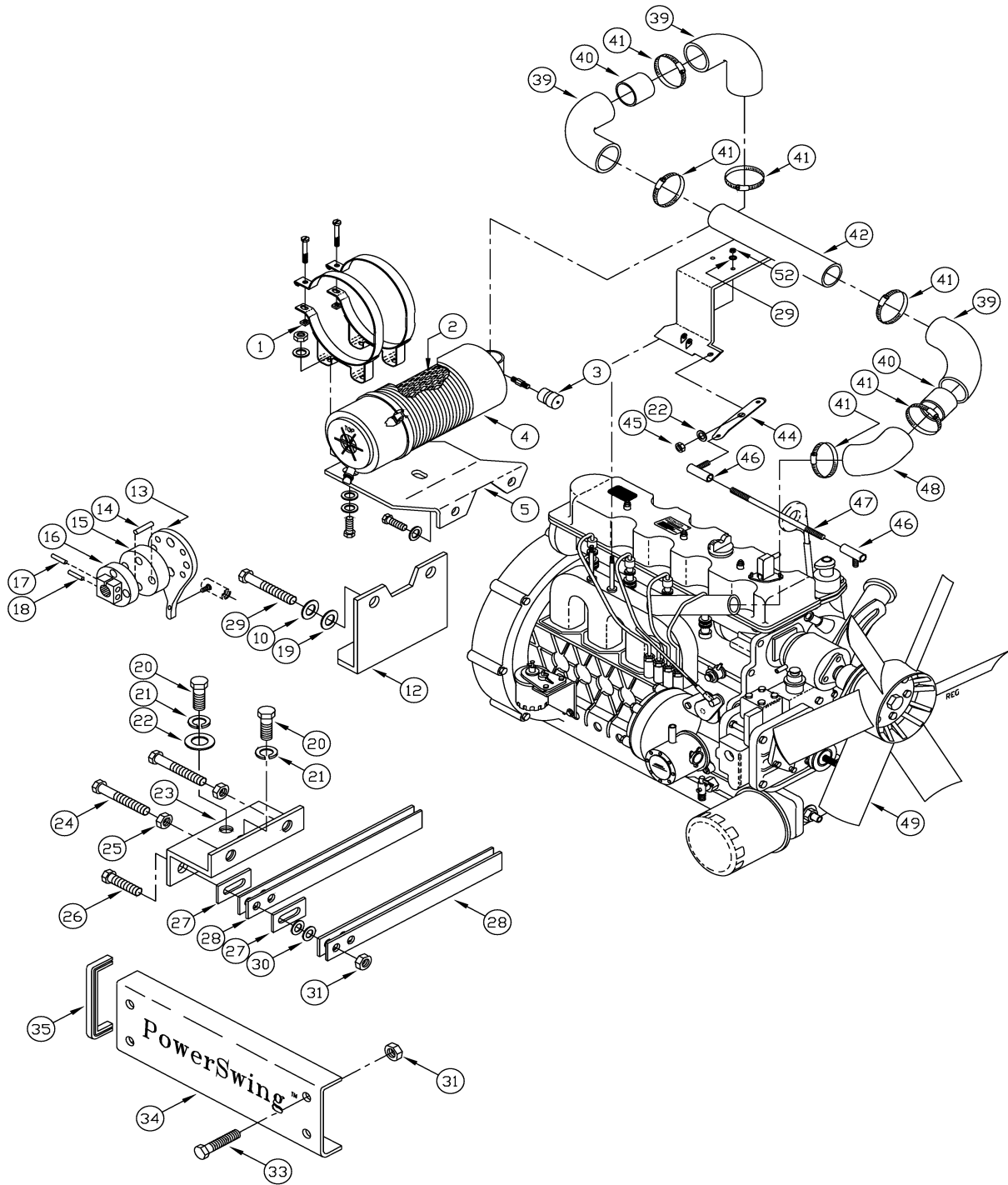
12s223



**ENGINE (GASOLINE - NISSAN CG-13)  
SERVICE PARTS GROUP (Cont.)**

REF#	PART #	DESCRIPTION	QUANTITY
001	336502	HOSE-VACUUM CONTROL	01
002	336501	HOSE-VACUUM CONTROL	01
003	336507	CLIP-WIRING HARNESS	01
004	336178	CAP-CONNECTOR	01

# ENGINE (DIESEL) GROUP

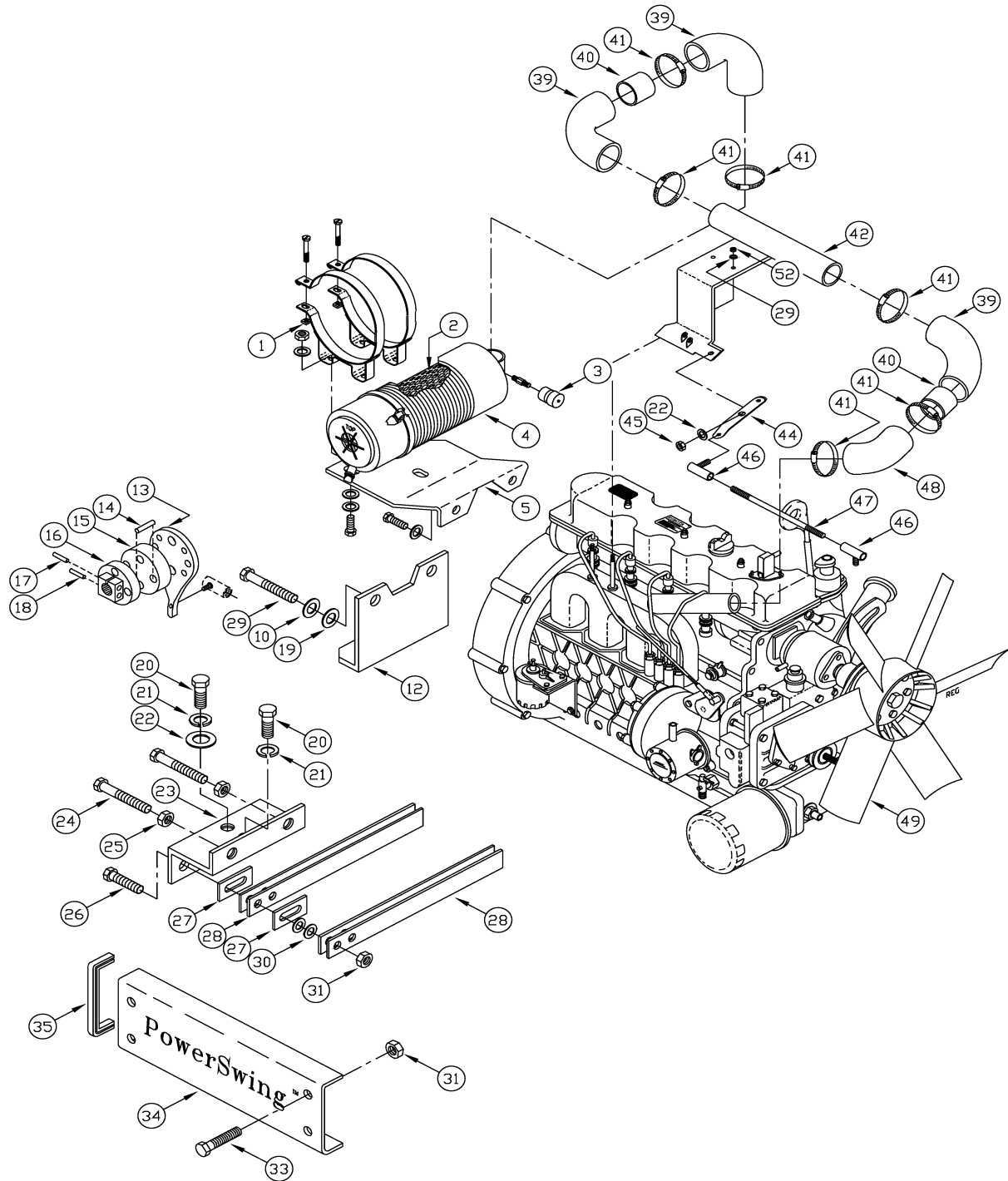


010PH004

**ENGINE (DIESEL) GROUP**

REF#	PART #	DESCRIPTION	QUANTITY
1	400071	NUT - HEX 1/4 - 20 ZP	2
2	321143	ELEMENT - AIR CLNR/PLASTIC (SP)	1
3	303991	INDICATOR - AIR CLEANER KIT	1
4	317917	AIR CLNR - RADIAL SEAL FPG STYLE	1
5	315500	MNT- AIR CLEANER HAYES	1
6	310054	VALVE - TOW OPTION	1
7	303711	O-RING STATIC SEAL 3.239 ID	1
8	309706	PUMP - AUX W/FLOW DIR GAS/LP	1
9	400029	SCR - HEX 3/8 - 16 X 1.25 ZP	9
10	400101	WASHER - LOCK 3/8 SPLIT ZP	9
11	303581	PUMP - MAIN VD FS	1
12	312231	MNT - FWD/REV DSL SW/62 PLTD	1
13	307219	PLT - DIRECTIONAL CONT PLTD SW/A	1
14	300339	SLEEVE - SQ & FWD /REV	2
15	301507	COUPLING - LORD DIR CNTRL	1
16	301544	ASSY - DISC FWD/REV PLTD	1
17	400173	SCR - HEX 1/4 - 20 X 1.75 ZP	1
18	400027	SCR - HEX 3/8 - 16 X 1.75 ZP	1
19	400087	WASHER - FLAT 3/8 STANDARD ZP	4
20	400036	SCR - HEX 5/16 - 18 X 0.75 ZP	6
21	400102	WASHER - LOCK 5/16 SPLIT ZP	10
22	400088	WASHER - FLAT 5/16 STANDARD ZP	6
23	302115	BRKT - FWD/REV PLTD	1
24	400228	SCR - HEX 5/16 -24 X 1.5 ZP FULL TH	2
25	400069	NUT - HEX 5/16 - 24 ZP	2
26	400149	SCR - HEX 1/4 - 20 X 1.50 ZP	2
27	303918	SPACER - FWD/REV BRKT PLTD	2
28	300543	SPRING - RETURN	4
29	400028	SCR - HEX 3/8 - 16 X 1.50 ZP	3
30	400089	WASHER - FLAT 1/4 STANDARD ZP	6
31	400081	NUT - HEX 1/4 - 20 ES ZP	10
33	400433	SCR - HEX 1/4 - 20 X 2.50 ZP	4
34	307414	COVER - ENG HOSE RET. SW/A PNTD	1
35	500117	EDGING - VINYL TRIM 3/16" X 250'	1
39	303385	ADAPTER - 90 EL RUBBER 3.50 X 2.50	1
40	304641	TUBE - AIR INTAKE FORD 2.00	1
41	044112	CLAMP - HOSE 2.50 MAX WORM (#32)	5
42	315528	ASSY - THROTTLE MNT DSL SW/8X	1
43	305504	MOUNT - BELLCRANK/AIR CLEANER	1
44	307950	ASSY - BELLCRANK KBA DSL PNTD	1

# ENGINE (DIESEL) GROUP (CONT.)

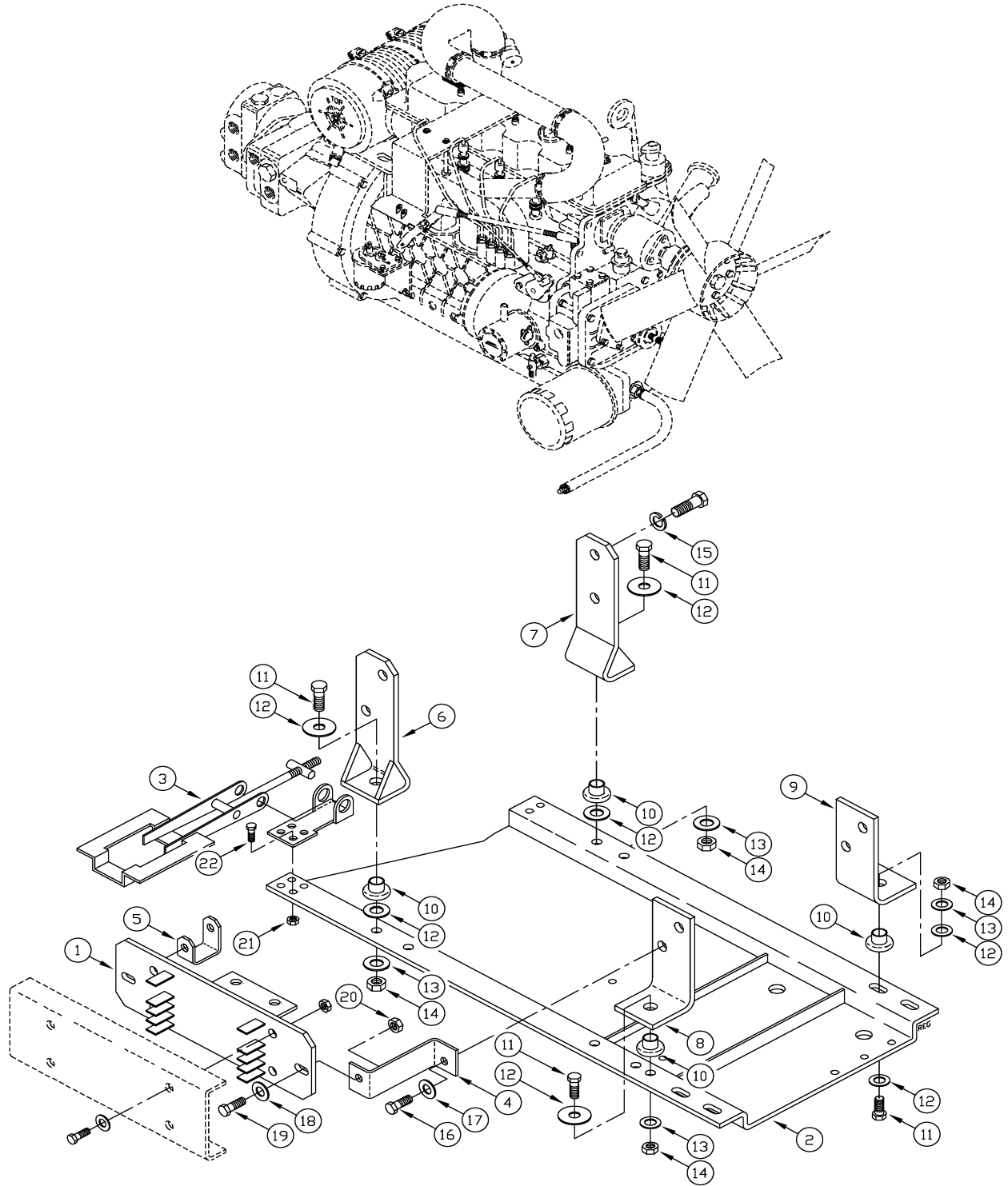


010PH004

**ENGINE (DIESEL) GROUP (CONT.)**

REF#	PART #	DESCRIPTION	QUANTITY
45	400079	NUT - HEX 3/8 - 16 ES ZP	5
46	301199	BALL JOINT - 1/4 - 28	1
47	307694	ROD - THROTTLE TYA SW/A PLTD	1
48	307980	ELBOW - INTAKE KBA DSL	1
49	305578	FAN - ENGINE KUBOTA (SP)	1

# ENGINE (DIESEL) GROUP (CONT.)

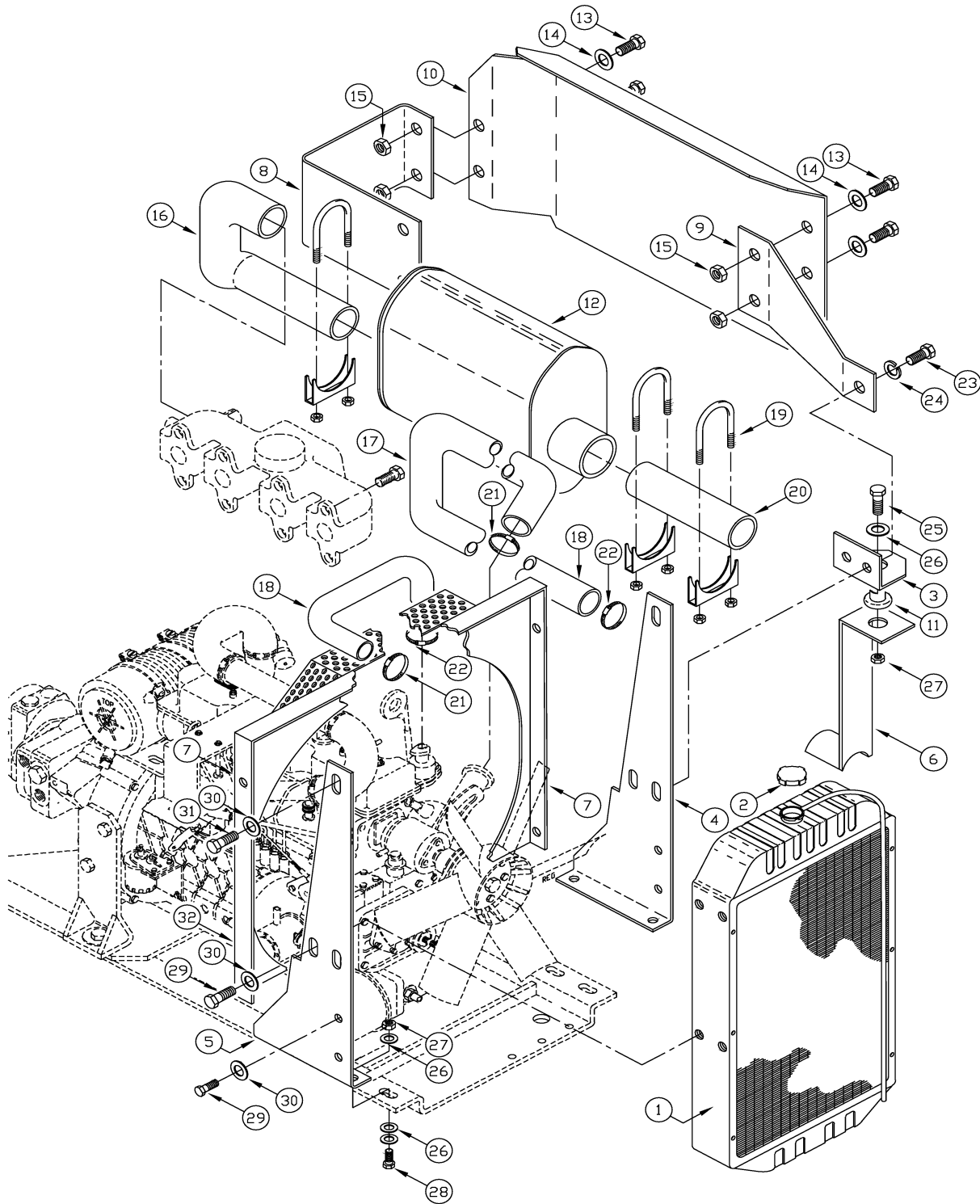


010PH005

**ENGINE (DIESEL) GROUP (CONT.)**

REF#	PART #	DESCRIPTION	QUANTITY
1	307409	ASSY - HOSE RETAINER ENG PNTD	1
2	307356	ASSY - ENG PAN TYA SW/A PNTD	1
3	307377	LATCH - ENGINE SW/A	1
4	307935	BRKT - HOSE RETAIN KBA DSL PNTD	1
5	315508	MNT - HOSE RETAINER BRKT	1
6	315501	WELDMENT - ENG MOUNT KBA OUTER	1
7	315505	WELDMENT - ENG MOUNT KBA INNER	1
8	307919	MNT - ENG REAR OUTER KBA PNTD	1
9	307918	MNT - ENG REAR INNER KBA PNTD	1
10	300464	MOUNT - ISOLATION	4
11	400020	SCR - HEX 1/2 - 13 X 2.00 ZP	4
12	400091	WASHER - FENDER 1/2 ZP	8
13	400098	WASHER - LOCK 1/2 SPLIT ZP	12
14	400065	NUT - HEX 1/2 - 13 ZP	4
15	400614	WASHER - LOCK 14 MM	8
16	400402	SCR - HEX 12 MM X 1.25 P X 40 MM ZP	1
17	400099	WASHER - LOCK 7/16 SPLIT ZP	1
18	400278	WASHER - FENDER 3/8	1
19	400030	SCR - HEX 3/8 - 16 X 1.00 ZP	1
20	400079	NUT - HEX 3/8 - 16 ES ZP	1
21	400081	NUT -HEX 1/4 - 20 ES ZP	4
22	400042	SCR - HEX 1/4 - 20 X .75 ZP	4

# ENGINE (DIESEL) GROUP (CONT.)



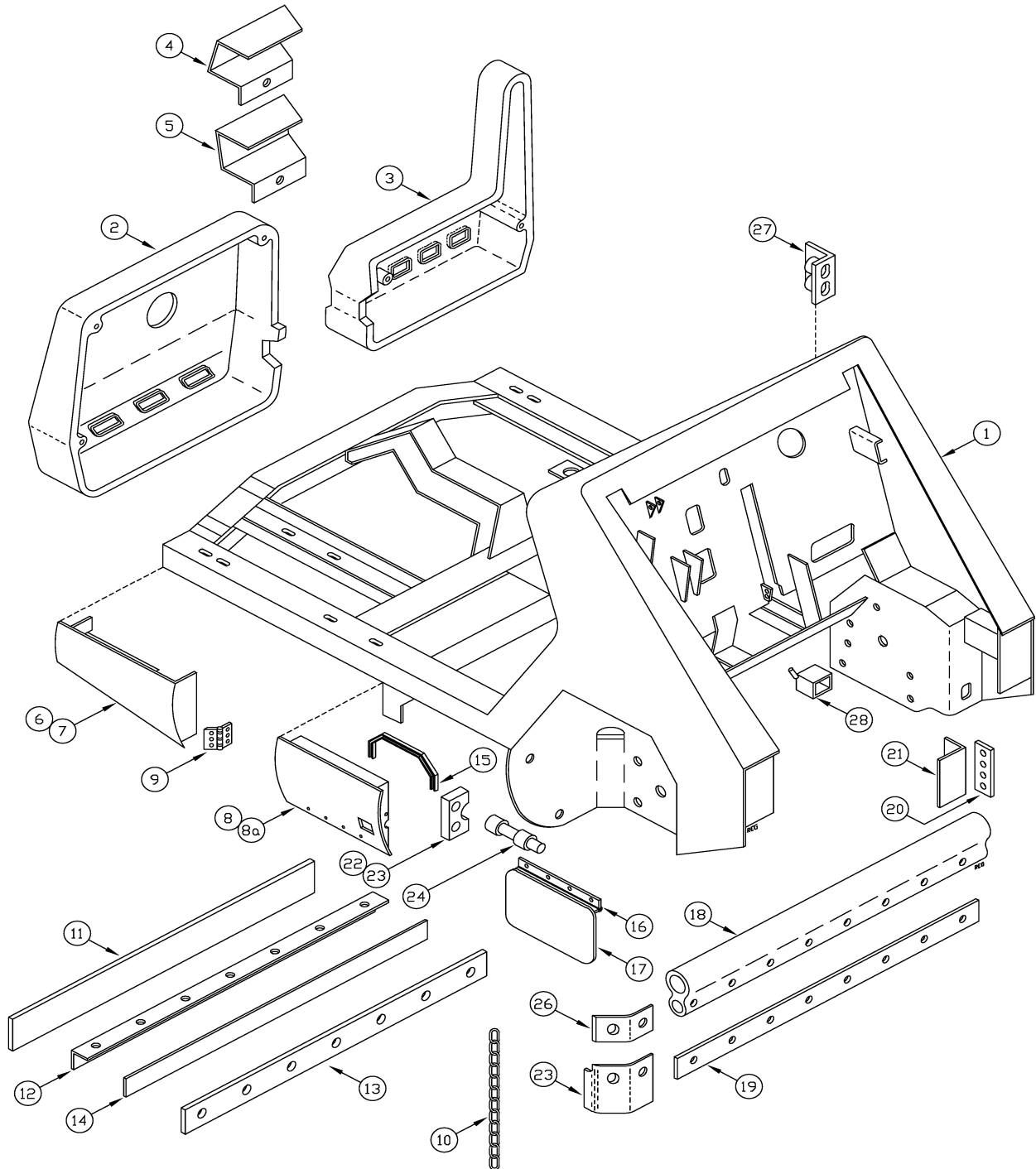
010PH006



**ENGINE (DIESEL) GROUP (CONT.)**

REF#	PART #	DESCRIPTION	QUANTITY
1	301995	RADIATOR - HEAVY DUTY	1
2	300420	CAP - RADIATOR	1
3	307797	MNT - EXHAUST PIPE SW/A PNTD	1
4	307920	MNT - RH - RAD KBA DSL PNTD	1
5	307921	MNT - LH - RAD KBA DSL PNTD	1
6	307936	BAR - EXH MNT KBA DSL PLTD	1
7	315781	SHROUD - RADIATOR SW/8X & 9X	1
8	315507	MOUNT - HEAT SHIELD 9X DSL HAYES	1
9	307973	MNT - HEAT SHIELD REAR KBA PNTD	1
10	307787	PLT - HEAT SHIELD SW/A	1
11	300465	MOUNT - ISOLATION	1
12	302913	MUFFLER - SPARK ARRESTOR SW KIT	1
13	400042	SCR - HEX 1/4 - 20 X .75 ZP	4
14	400383	WASHER - CONICAL SPRING 1/4	4
15	400063	NUT - FLANGE LOCK 1/4 - 20 ZP	4
16	307942	ASSY - TUBE EXH MANIF KBA PNTD	1
17	315321	HOSE - RADIATOR LOWER KBA	1
18	315368	HOSE - RADIATOR UPPER KBA	1
19	301640	CLAMP - EXHAUST 1 3/4	3
20	307556	TUBE - EXHAUST TAIL TYA SW/A	1
21	302193	CLAMP - HOSE 1.25 NOM	2
22	303255	CLAMP - 1.25 NOM	2
23	400035	SCR - HEX 5/16 - 18 X 1.00 ZP	1
24	400319	WASHER - LOCK 5/16 - 18 X 1.50 ZP	1
25	400028	SCR - HEX 3/8 - 16 X 1.50 ZP	1
26	400278	WASHER - FENDER 3/8	5
27	400079	NUT - HEX 3/8 - 16 ES ZP	5
28	400029	SCR - HEX 3/8 - 16 X 1.25 ZP	4
29	400036	SCR - HEX 5/16 - 18 X 0.75 ZP	6
30	400384	WASHER - CONICAL SPRING 5/16	6

# FRAME GROUP

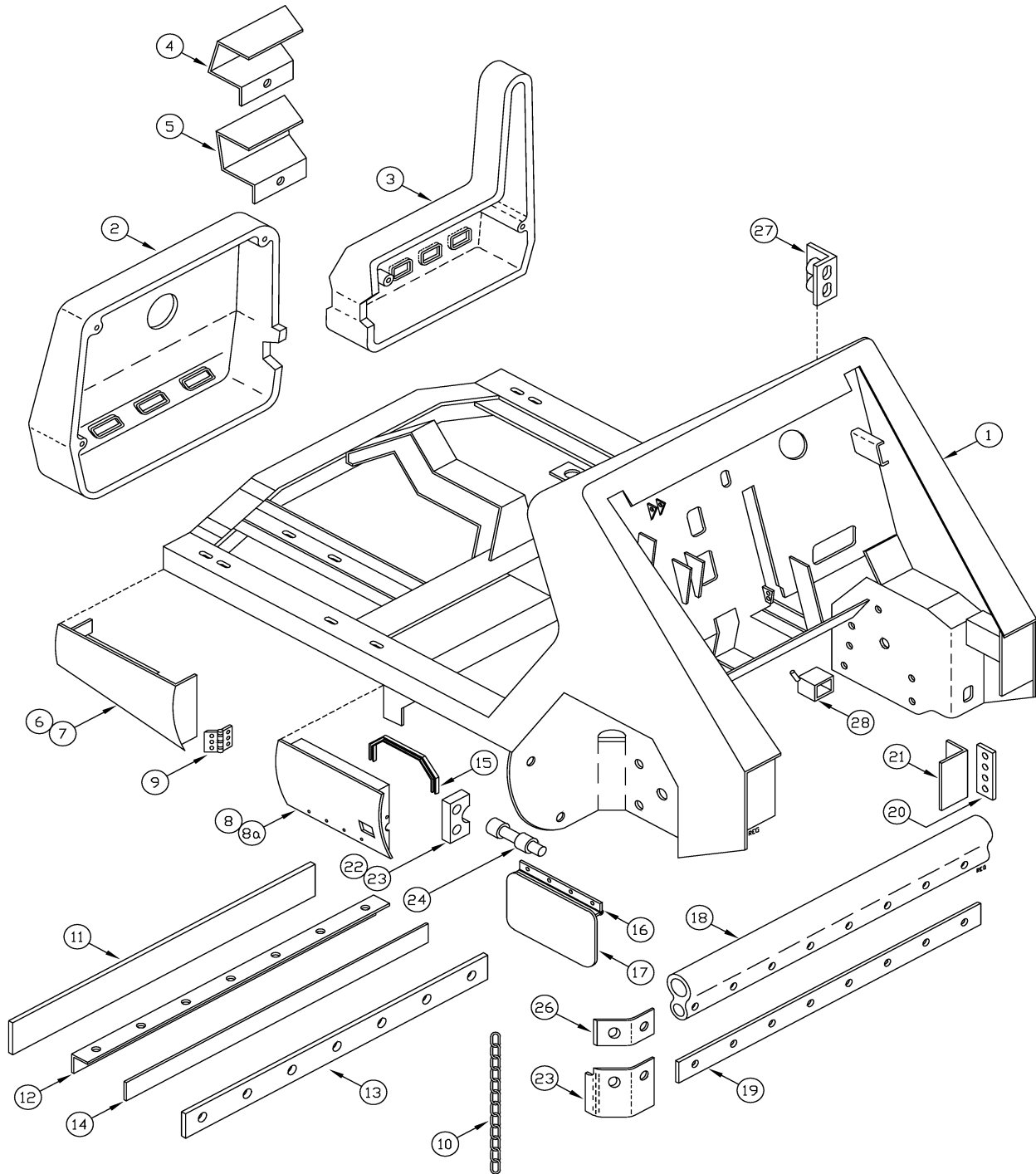


020PH001

**FRAME GROUP**

REF#	PART #	DESCRIPTION	QUANTITY
1	307150	FRAME ASSEMBLY SW/A	1
	307594	DECAL - FRONT PANEL SW/A	1
2	307320	COUNTERWEIGHT- RH MACHINED PNTD	1
	400442	STUD - THREADED 1/2-13 X 2.0	4
	400086	WASHER - FLAT 1/2 STANDARD ZP	18
	400098	WASHER - LOCK 1/2 SPLIT ZP	4
	400065	NUT - HEX 1/2-13 ZP	4
3	307321	COUNTERWEIGHT - LH MACHINED PNTD	1
	400443	STUD - THREADED 1/2-13 X 2.0	2
	400086	WASHER - FLAT 1/2 STANDARD ZP	2
	400098	WASHER - LOCK 1/2 SPLIT ZP	2
	400065	NUT - HEX 1/2-13 ZP	2
	400023	SCR - HHM 1/2-13 X 1.00 LG ZP	1
	400086	WASHER - FLAT 1/2 STANDARD ZP	1
	400098	WASHER - LOCK 1/2 SPLIT ZP	1
	400065	NUT - HEX 1/2-13 ZP	1
4	307809	ASSY - UPPER CASTING COVER PNTD	1
	400035	SCR - HHM 5/16-18 X 1.00 LG ZP	1
	400088	WASHER - FLAT 5/16 STANDARD ZP	2
	400384	WASHER - CONICAL SPRING 5/16	1
	400390	NUT - FLANGE LOCK 5/16-18	1
5	307810	ASSY - LOWER CASTING COVER PNTD	1
	307831	BACKING - CASTING COVER PNTD	1
	400101	WASHER - LOCK 3/8 SPLIT ZP	1
	400068	NUT - HEX 3/8-16 ZP	1
	305774	ASSY - HD REAR TIE DOWN PNTD	1
	400030	SCR - HHM 3/8-16 X 1.00 LG ZP	2
	400385	WASHER - CONICAL SPRING 3/8	2
	400392	NUT - FLANGE LOCK 3/8-16	2
6	307519	ASSY - RH REAR SIDE SKIRT	1
	400036	SCR - HHM 5/16-18 X .75 LG ZP	8
	400384	WASHER - CONICAL SPRING 5/16	8
	400390	NUT - FLANGE LOCK 5/16-18	8
7	307520	ASSY - LH REAR SIDE SKIRT	1
	400036	SCR - HHM 5/16-18 X .75 LG ZP	8
	400384	WASHER - CONICAL SPRING 5/16	8
	400390	NUT - FLANGE LOCK 5/16-18	8
8	307025	ASSY - BROOM DOOR RH SUB ARMA	1
	contains >	STRAP - BROOM DOOR FLAP PNTD SW/A	2
		FLAP - BROOM DOOR SW/A	2
		LATCH - RH BROOM DOOR SW/A	1
		ASSY - RH BROOM DOOR PNTD SW/A	1
		SCREW - HHM 1/4-20 X .75 LG ZP	4

# FRAME GROUP (CONT.)

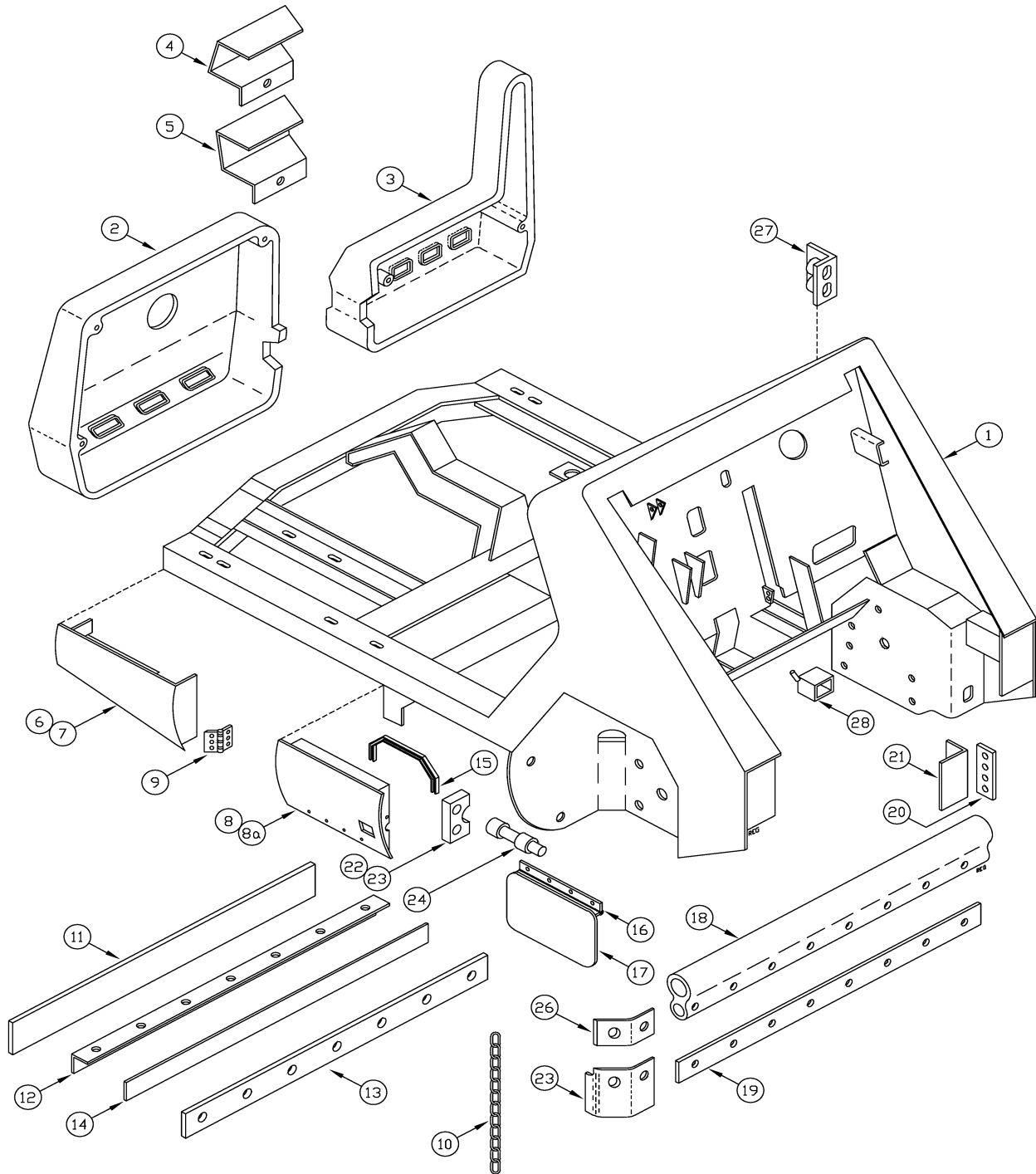


020PH001

**FRAME GROUP (CONT.)**

REF#	PART #	DESCRIPTION	QUANTITY
		SCREW - THM 1/4-20 X .75 LG SS	4
		NUT - FLANGE LOCK 1/4-20 ZP	4
		WASHER - LOCK 1/4 SPLIT ZP	4
	400036	SCR - HHM 5/16-18 X .75 LG ZP	3
	400384	WASHER - CONICAL SPRING 5/16	3
8A	307024	ASSY - BROOM DOOR LH SUB ARMA	1
	contains >	STRAP - BROOM DOOR FLAP PNTD SW/A	2
		FLAP - BROOM DOOR SW/A	2
		LATCH - LH BROOM DOOR SW/A	1
		ASSY - LH BROOM DOOR PNTD SW/A	1
		SCREW - HHM 1/4-20 X .75 LG ZP	4
		SCREW - THM 1/4-20 X .75 LG SS	4
		NUT - FLANGE LOCK 1/4-20 ZP	4
		WASHER - LOCK 1/4 SPLIT ZP	4
	400036	SCR - HHM 5/16-18 X .75 LG ZP	3
	400384	WASHER - CONICAL SPRING 5/16	3
9	307275	HINGE - BROOM DOOR	2
	400056	SCR - THM 5/16-18 X 1.00 LG ZP	3 ea.
	400390	NUT - FLANGE LOCK 5/16-18	3 ea.
10	307658	CHAIN - GROUNDING ARMA	1
	400227	SCR - HHM 1/4-20 X 1.25 ZP	1
	400089	WASHER - FLAT 1/4 STANDARD ZP	2
	400103	WASHER - LOCK 1/4 SPLIT ZP	1
	400071	NUT - HEX 1/4-20 ZP	1
11	307278	FLAP - REAR SW/A OUTER	1
12	307282	ANGLE - REAR FLAP SW/A	1
	400041	SCR - HHM 1/4-20 X .88 LG ZP	10
	400383	WASHER - CONICAL SPRING 1/4	10
	400063	NUT - FLANGE LOCK 1/4-20 ZP	10
13	307283	STRAP - REAR FEED FLAP	1
14	307279	FLAP - REAR FEED SW/A INNER	1
	400041	SCR - HHM 1/4-20 X .88 LG ZP	11
	400383	WASHER - CONICAL SPRING 1/4	11
	400063	NUT - FLANGE LOCK 1/4-20 ZP	11
15	307659	GASKET - MAIN BROOM DOOR LH & RH	2
	Free Stock	GASKET - MAIN BROOM DOOR SMALL	2
16	307284	STRAP - BROOM DOOR FLAP	2
17	307280	FLAP - BROOM DOOR SW/A	2
18	307276	SEAL - HOPPER/FRAME SW/A	1
19	307281	STRAP - SEAL HOPPER/FRAME SW/A	1
	400059	SCR - THM 1/4-20 X .75 LG SS	8

# FRAME GROUP (CONT.)

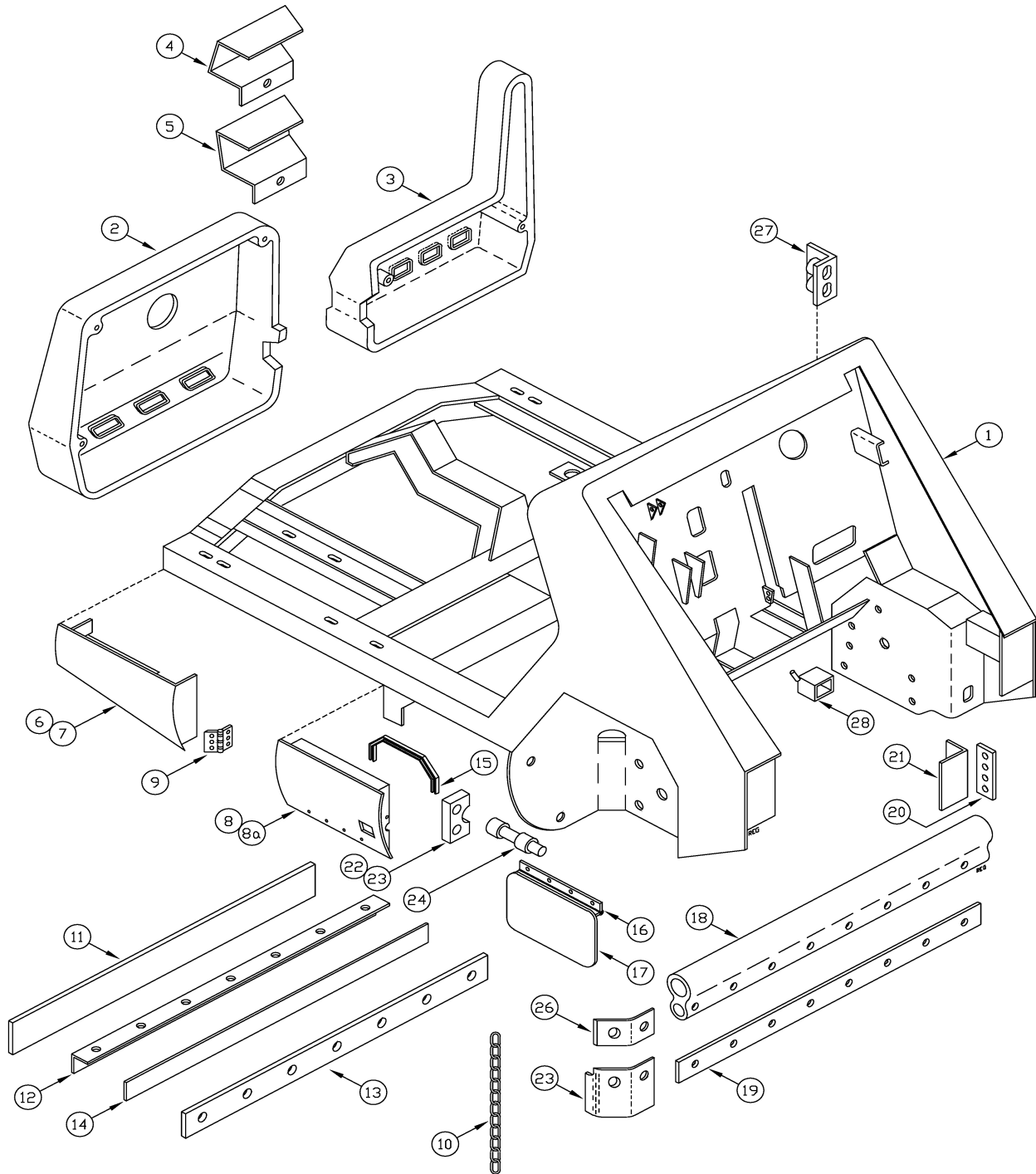


020PH001

**FRAME GROUP (CONT.)**

REF#	PART #	DESCRIPTION	QUANTITY
	400063	NUT - FLANGE LOCK 1/4-20 ZP	8
20	307285	STRAP - SEAL HOPPER/FRAME SIDE SW/A	2
21	307277	SEAL - HOPPER/FRAME SIDE SW/A	2
	400259	SCR - FHM 5/16-18 X .50 LG ZP	6
	400006	SCR - BHC 5/8-11 X 1.00	6
22	307246	LATCH - BROOM DOOR LH	1
23	307247	LATCH - BROOM DOOR RH	1
24	307248	BOLT - STRIKER BROOM DOOR	2
	400394	NUT - FLANGE LOCK 7/16-14	2
	307286	FLAP - BROOM CORNER	2
26	307287	STRAP - BROOM CORNER FLAP	2
	400056	SCR - THM 5/16-18 X 1.00 LG ZP	4
	400390	NUT - FLANGE LOCK 5/16-18	4
	307515	STOP - SIDE DOOR	2
	400042	SCR - HHM 1/4-20 X .75 LG ZP	3
	400383	WASHER - CONICAL SPRING 1/4	3
	400063	NUT - FLANGE LOCK 1/4-20 ZP	3
	307518	MOUNT - BROOM DOOR FLAP	4
	307628	COOLER - HYDRAULIC OIL	1
27	307529	ASSY - DOOR STRIKE SW/A PNTD	2
	400405	SCR - HHM 1/2-13 X 3.00 ZP	2
	400262	SCR - HHM 3/8-24 X 1.25 ZP	2
	400086	WASHER - FLAT 1/2 STANDARD ZP	4
	400098	WASHER - LOCK 1/2 SPLIT ZP	2
	400065	NUT - HEX 1/2-13 ZP	2
	400067	NUT - HEX 3/8-24 ZP	2
	307510	ASSY - SIDE DOOR SW/A PNTD	1
	307513	HINGE - SIDE DOOR SW/A PNTD	2
	307560	SPACER - SIDE DOOR SW/A PNTD	1
	400148	SCR - THM 5/16-18 X .50 ZP	8
	400391	NUT - FLANGE LOCK 5/16-24	8
	300380	LATCH ASSY. #C2-10-301-50	1
28	307564	ASSY - BATTERY BOX SW/A PNTD	1
	400036	SCR - HHM 5/16-18 X .75 LG ZP	2
	400384	WASHER - CONICAL SPRING 5/16	2
	400390	NUT - FLANGE LOCK 5/16-18	2
	307610	SWITCH - IGNITION	1
	307099	KEY - IGNITION SWITCH ARMA	1
	300441	SWITCH - MOMENTARY STARTER	1
	309350	TERMINAL - SPADE MALE IGNITION	2
	307639	LEVELER - 5/16-18 SW/A	2
	400390	NUT - FLANGE LOCK 5/16-18	4

# FRAME GROUP (CONT.)



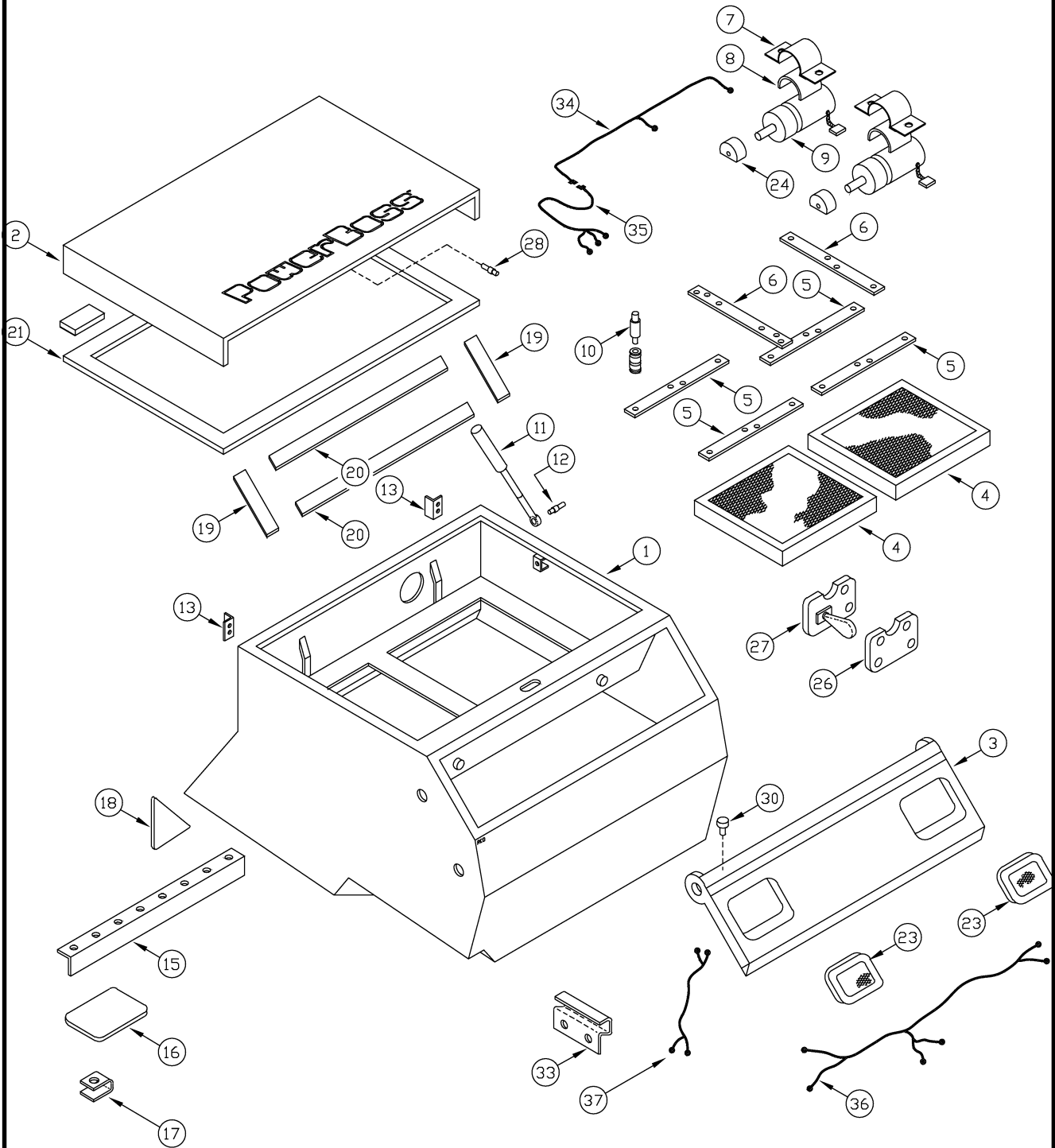
020PH001



**FRAME GROUP (CONT.)**

REF#	PART #	DESCRIPTION	QUANTITY
	307835	COUNTERWEIGHT - RH MACHND PNTD LP	1
	307930	PIN - LPG TANK PLTD	1
	307821	STRAP - BATTERY SW/A	1
	300440	BATTERY - WET GAS	1
	305643	BATTERY - DRY CHARGED GAS	1
	300448	BATTERY - WET DIESEL	1
	307634	CABLE - GROUND (NEGATIVE) GAS	1
	307634	CABLE - GROUND (NEGATIVE) DIESEL	1
	307633	CABLE - POSITIVE GAS	1
	307939	CABLE - POSITIVE KBA DSL	1
	307799	ASSY - CORNER GUARD SW/A	1
	400102	WASHER - LOCK 5/16 SPLIT ZP	2
	400070	NUT - HEX 5/16-18 ZP	4
	310090	FUSE PANEL - 6 POSITION ARMA	1
	400484	RIVET - AVDEL 3/16 X .602	3

# HOPPER/TANK GROUP

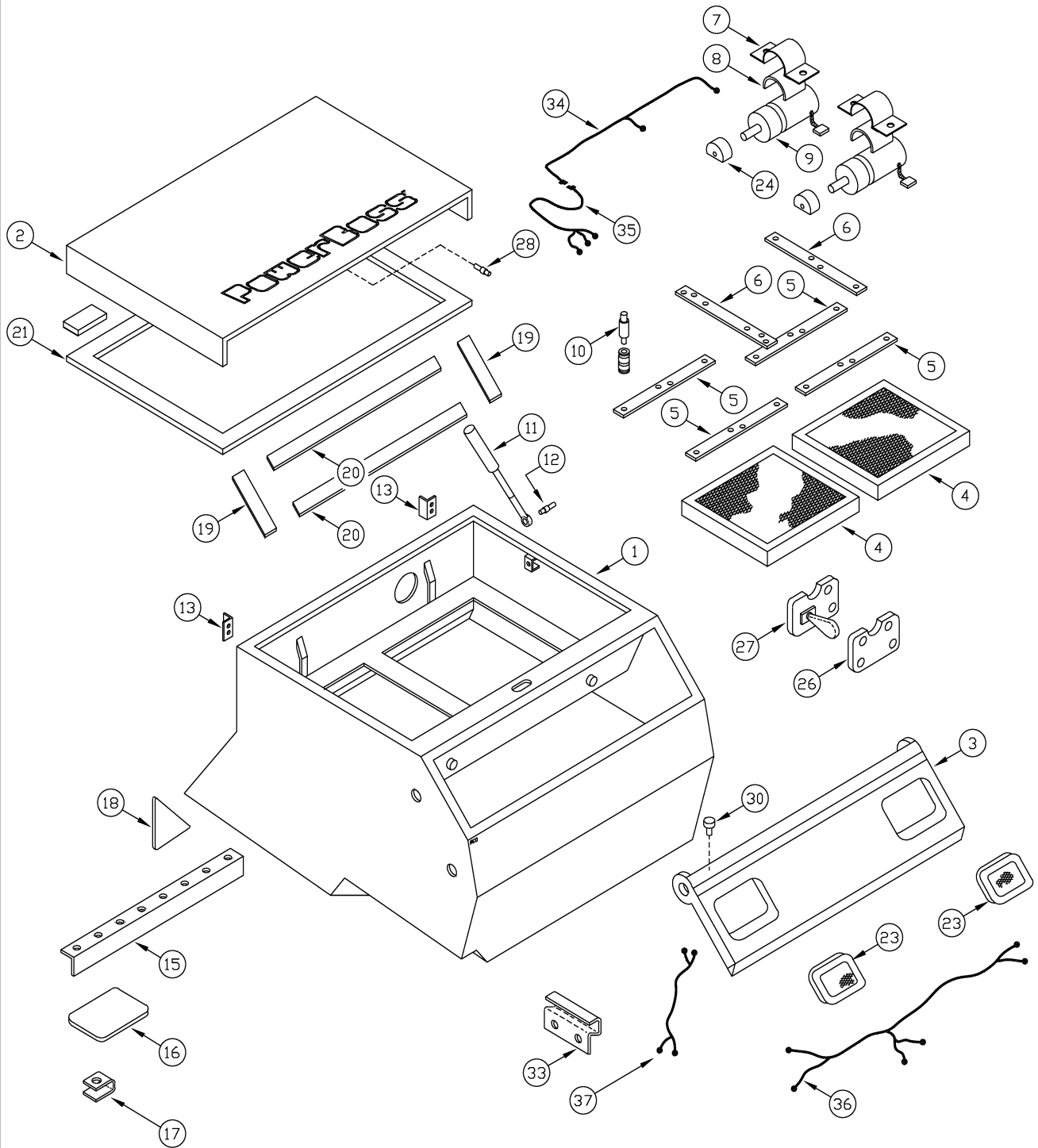


120PH001

**HOPPER/TANK GROUP**

REF#	PART #	DESCRIPTION	QUANTITY
	307032	ASSY - HOPPER SUB ARMA	1
1	307440	ASSY - HOPPER ARMA PNTD	1
2	307460	ASSY - HOPPER HOOD ARMA PNTD	1
3	307530	ASSY - HOPPER LID ARMA PNTD	1
4	307432	FILTER - DUST CONTROL SW/A	2
5	300919	BAR - FILTER RET FS PNTD	4
6	300917	MOUNT - FILTER SHAKER PNTD	2
7	300915	RETAINER - SHAKER MOTOR PNTD	2
8	300904	MOUNT - NEOPRENE SHAKER MTR	2
9	300424	MOTOR - SHAKER FILTER	2
10	400215	SCREW - HEX 5/16-18 X 4.0 ZP	8
11	305006	SPRING - GAS SW75E	2
12	300376	STUD - BALL GAS SPRING	4
13	307469	HINGE - FILTER COVER PNTD SW/A	2
15	307721	RETAINER - HOPPER FLAP SW/A PNTD	1
16	307720	FLAP - HOPPER FRONT SW/A	5
17	301146	CLIPNUT - 1/4-20 ZP	10
18	307842	FLAP - HOPPER SIDE SW/A	2
	307843	RETAINER - FLAP HOPPER SIDE PLTD	2
21	307724	SEAL - HOPPER HOOD ARMA	1
23	301359	HEADLIGHT - FLUSH MOUNT TYPE C	2
24	301053	WEIGHT ECCENTRIC PNTD	2
26	307468	BAR - FILTER LATCH PNTD SW/A	1
27	307247	LATCH - RH - BROOM DOOR SW/A	1
28	307248	BOLT - STRIKER BRM DOOR LATCH	1
	302236	PLUG - 17/32 DIA CRS PNTD	1
34	302033	WIRING HARNESS - HD GROUP	1
35	307752	WIRE HARNESS - HOPPER/SHAKER EXT	1
36	301367	WIRING HARNESS - HEADLIGHT LD	1
37	307744	WIRING HARNESS - HOPPER LID SW/A	1
	304624	BUMPER - RUBBER CAP	12
	306424	CLIPNUT - 5/16-18 FULLBODY	8
	307722	GASKET - HOPPER LID SHORT	2
	301665	GROMMET - Z-2056	2
	307850	ISOLATOR - HOPPER FILTER SW/A	8
	302776	MOUNT - WIRE TIE LARGE	5
	400063	NUT - FLANGE LOCK 1/4-20 ZP	3

# HOPPER/TANK GROUP (CONT.)

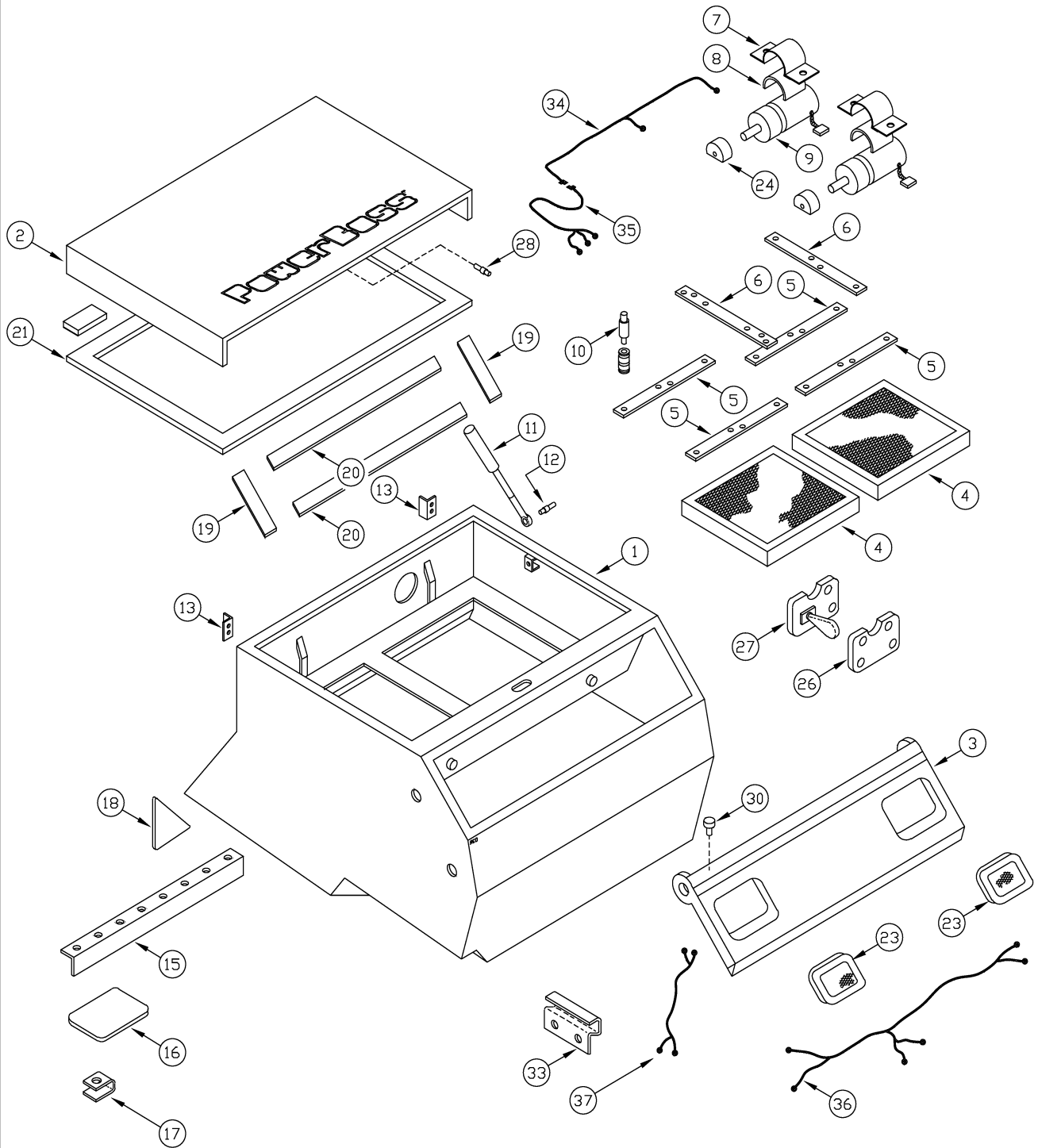


120PH001

**HOPPER/TANK GROUP (CONT.)**

REF#	PART #	DESCRIPTION	QUANTITY
	400392	NUT - FLANGE LOCK 3/8-16	2
	400390	NUT - FLANGE LOCK 5/16-18	18
	400394	NUT - FLANGE LOCK 7/16-14	1
	400071	NUT - HEX 1/4-20 ZP	4
	400068	NUT - HEX 3/8-16 ZP	2
	400080	NUT - HEX 5/16-18 ES ZP	2
	400070	NUT - HEX 5/16-18 ZP	2
	400329	SCREW - FLAT 5/16-18 X .75 SLT ZP	12
	400044	SCREW - HEX #10-32 X .75 ZP	8
	400043	SCREW - HEX 1/4-20 X .5 ZP	3
	400036	SCREW - HEX 5/16-18 X .75 ZP	4
	400035	SCREW - HEX 5/16-18 X 1.0 ZP	4
	400355	SCREW - LEVEL BOLT 3/8-16 X 2.5 ZP	2
	400055	SCREW - SET #10-24 X .31 ZP	2
	400059	SCREW - THM 1/4-20 X .75 SS	18
	301358	TIE - WIRE	5
	400385	WASHER - CONICAL SPRING 3/8	16
	400384	WASHER - CONICAL SPRING 5/16	6
	400086	WASHER - FLAT 1/2 STANDARD ZP	2
	400102	WASHER - LOCK 5/16 SPLIT ZP	6
	400103	WASHER - LOCK 1/4 SPLIT ZP	4
	301155	CLIPNUT - 5/16-18 XP	8
	307743	BACKING PLATE - HOPPER PNTD	2
	400068	NUT - HEX 3/8-16 ZP	8
	4000-0032	SCREW - FHM 3/8-16 X 1.0	4
	400030	SCREW - HHM 3/8-16 X 1.00 LG ZP	2
	400087	WASHER - FLAT 3/8 STANDARD ZP	4
	400101	WASHER - LOCK 3/8 SPLIT ZP	6
	307098	ASSY - HOPPER LID SUB ARMA	1
	301358	TIE - WIRE	2
	301359	HEADLIGHT - FLUSH MOUNT TYPE C	2
	301367	WIRING HARNESS - HEADLIGHT LD	1
	301665	GROMMET - Z-2056	1
	302776	MOUNT - WIRE TIE LARGE	2
	307530	ASSY - HOPPER LID ARMA PNTD	1
19	307722	GASKET - HOPPER LID SHORT	2
20	307723	GASKET - HOPPER LID LONG ARMA	2

# HOPPER/TANK GROUP (CONT.)

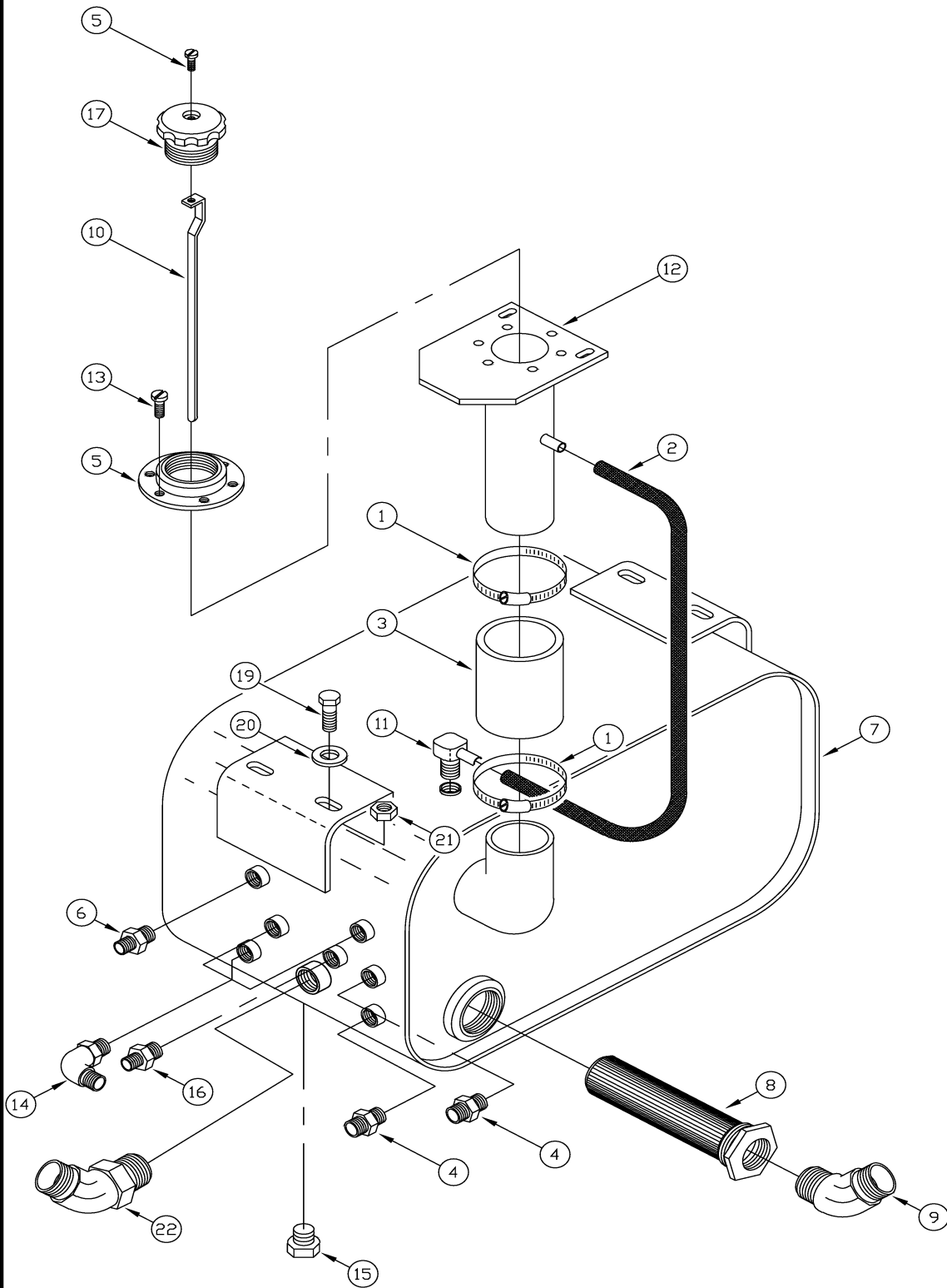


120PH001

**HOPPER/TANK GROUP (CONT.)**

REF#	PART #	DESCRIPTION	QUANTITY
	307744	WIRING HARNESS - HOPPER LID SW/A	1
	400044	SCREW - HEX #10-32 X .75 ZP	8
	400047	SCREW - SHC 5/16-18 X .75 LG ZP	2
	400088	WASHER - FLAT 5/16 STANDARD ZP	6
	400390	NUT - FLANGE LOCK 5/16-18	2
30	301665	GROMMET - Z-2056	2
33	307745	GUARD - WIRE HOPPER SW/A PNTD	1
	400207	SCREW - HHM 5/16-18 X .50 ZP	2
	400390	NUT - FLANGE LOCK 5/16-18	2
<b>FRONT BUMPER ASSEMBLY:</b>			
	307732	ANGLE - BUMPER ADJ SW/A PNTD	2
	400029	SCR - HHM 3/8-16 X 1.25 LG ZP	4
	400385	WASHER - CONICAL SPRING 3/8	4
	400392	NUT - FLANGE LOCK 3/8-16	4
	307540	ASSY - FRONT BUMPER SW/A PNTD	1
	300338	BUMPER - RUBBER	4
	307818	SPACER - SHOCK DISK PLTD	12
	400028	SCR - HHM 3/8-16 X 1.50 LG ZP	4
	400087	WASHER - FLAT 3/8 STANDARD ZP	4
	400079	NUT - HEX 3/8-16 ES ZP	4
	400029	SCR - HHM 3/8-16 X 1.25 LG ZP	4
	400385	WASHER - CONICAL SPRING 3/8	4
	400392	NUT - FLANGE LOCK 3/8-16	4

# HYDRAULIC GROUP - HYDRAULIC RESERVOIR



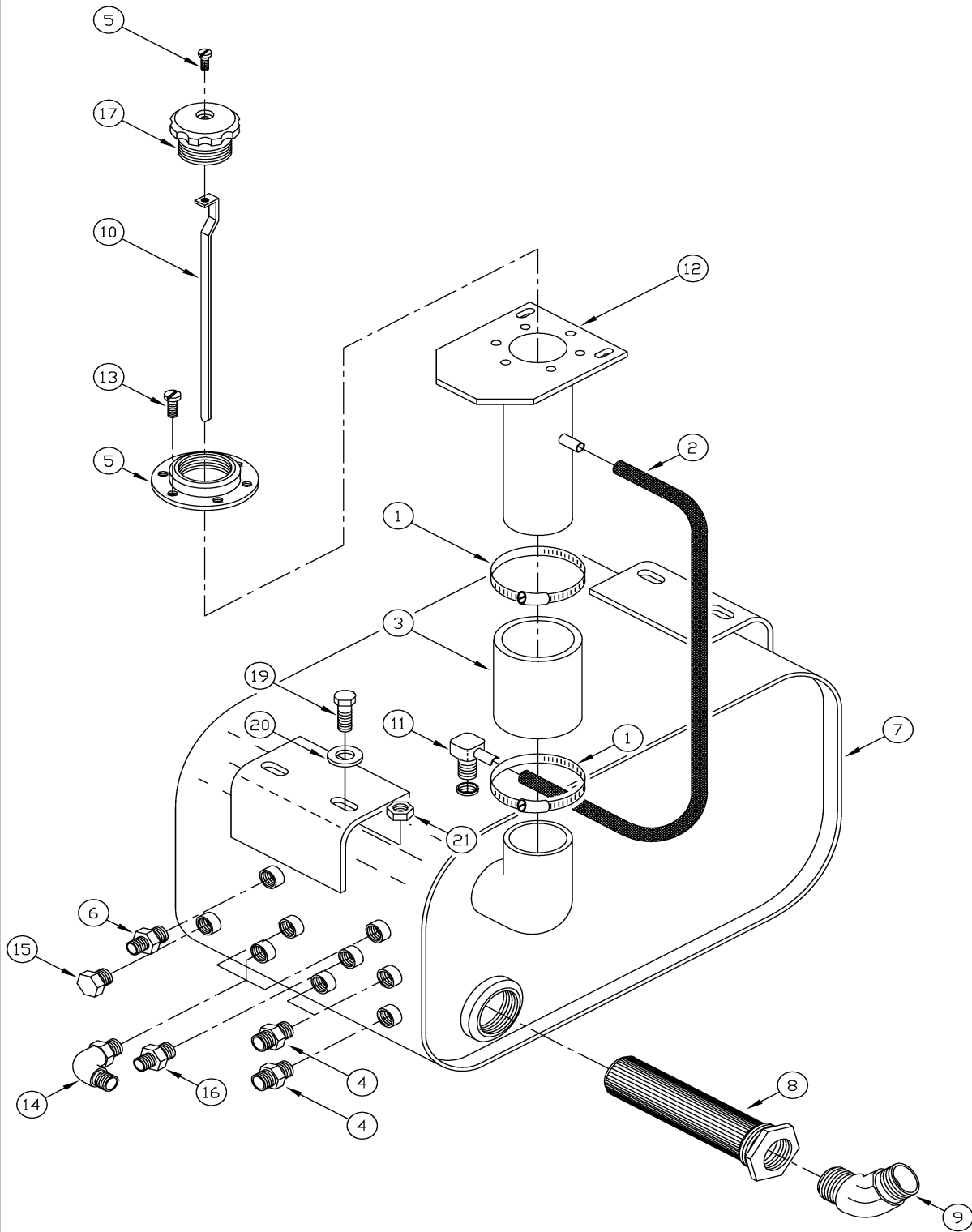
080PH002B



**HYDRAULIC GROUP - HYDRAULIC RESERVOIR**

REF#	PART #	DESCRIPTION	QUANTITY
	307031	ASSY - HYD RES SUB ARMA	1
1	300336	CLAMP - HOSE 2 1/2 NOM SS	2
2	302703	HOSE - VACUUM LINE	1
3	303577	HOSE - INTAKE MANIFOLD LP	1
4	304899	FTG - ADAP 3/4-16 TO 1/2 OD TUBE	2
5	305576	ASSY - FILTER/BREATHER FLOW EZY	1
6	306875	FTG - ADAPTOR 1/2-20 TO 5/16 OD	3
7	335759	RESERVOIR - HYDRAULIC	1
8	307573	STRAINER - HYDRAULIC TM-15	1
9	307574	FTG - 45 1" MPT TO #16 JIC	1
10	307580	DIPSTICK - HYD RESERVOIR SW/A	1
11	307778	FTG - 90 EL 1/8 MPT X 1/4 HOSE BA	1
12	310072	ASSY - HYD FILL TUBE ARMAS PNTD	1
13	400044	SCREW - HEX #10-32 X .75 ZP	6
14	400152	FTG - 90 1/2-20 TO #5	1
15	400164	FTG - PLUG 3/4-16 O-RING	1
16	400264	FTG - MALE CONNECTOR 9/16 TO #4	1
17	400315	SCREW - HEX #10-32 X .5 ZP	1
	400399	NUT - HEX NYLON LOCK #10-24 SS	7
19	400035	SCREW - HEX 5/16-18 X 1.0 ZP	4
20	400384	WASHER - CONICAL SPRING 5/16	4
21	400390	NUT - FLANGE LOCK 5/16-18	4
22	400159	FTG - 45 1 5/16-12 TO #16	1
	400042	SCR - HHM 1/4-20 X .75 LG ZP	2
	400383	WASHER - CONICAL SPRING 1/4	2
	400063	NUT - FLANGE LOCK 1/4-20 ZP	2
	307078	ASSY - HYDRAULIC FILTER SUB ARMA	1
	300358	ASSY - HYDRAULIC FILTER (housing, filter & O-ring)	1
	304899	FTG - ADAP 3/4-16 TO 1/2 OD TUBE	1
	400163	FTG - TEE OFFSET 3/4-16 TO #8	1
	400167	FTG - ADAPTER 1 1/6-12 EXT TO	2
	400244	FTG - SWIVEL 90 EL #8 JIC	1
	300359	FILTER - HYD 10 MICRON (SP) (filter & O-ring)	1
	400030	SCR - HHM 3/8-16 X 1.00 LG ZP	2
	400101	WASHER - LOCK 3/8 SPLIT ZP	2
	307746	CLAMP - HOSE RADIATOR PLTD	1

HYDRAULIC GROUP - HYDRAULIC RESERVOIR (CONT.)

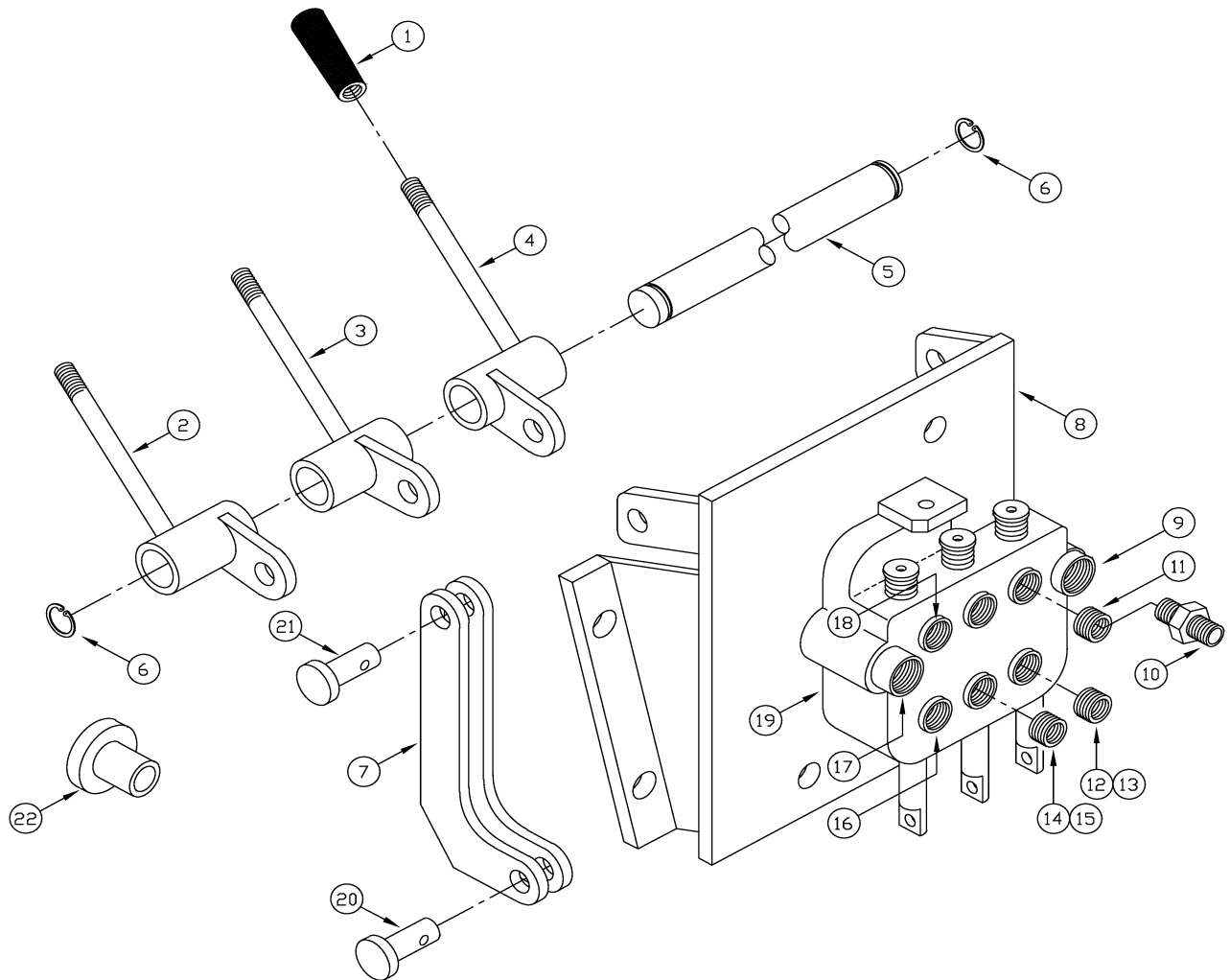


080PH002

**HYDRAULIC GROUP - HYDRAULIC RESERVOIR (CONT.)**

REF#	PART #	DESCRIPTION	QUANTITY
	400041	SCR - HHM 1/4-20 X .88 LG ZP	1
	400383	WASHER - CONICAL SPRING 1/4	1
	400063	NUT - FLANGE LOCK 1/4-20 ZP	1
	307793	CLAMP - HOSE SW/A PLTD	1
	400036	SCR - HHM 5/16-18 X .75 LG ZP	1
	400384	WASHER - CONICAL SPRING 5/16	1
	400390	NUT - FLANGE LOCK 5/16-18	1
	302471	VALVE - FLOW CONTROL (NEEDLE)	1
	400036	SCREW - HHM 5/16-18 X .75 LG ZP	2
	400384	WASHER - CONICAL SPRING 5/16	2
	400390	NUT - FLANGE LOCK 5/16-18	2
	***	OIL - MOTOR/HYDRAULIC 15W40	20 qts.

# HYDRAULIC GROUP - CONTROL VALVE

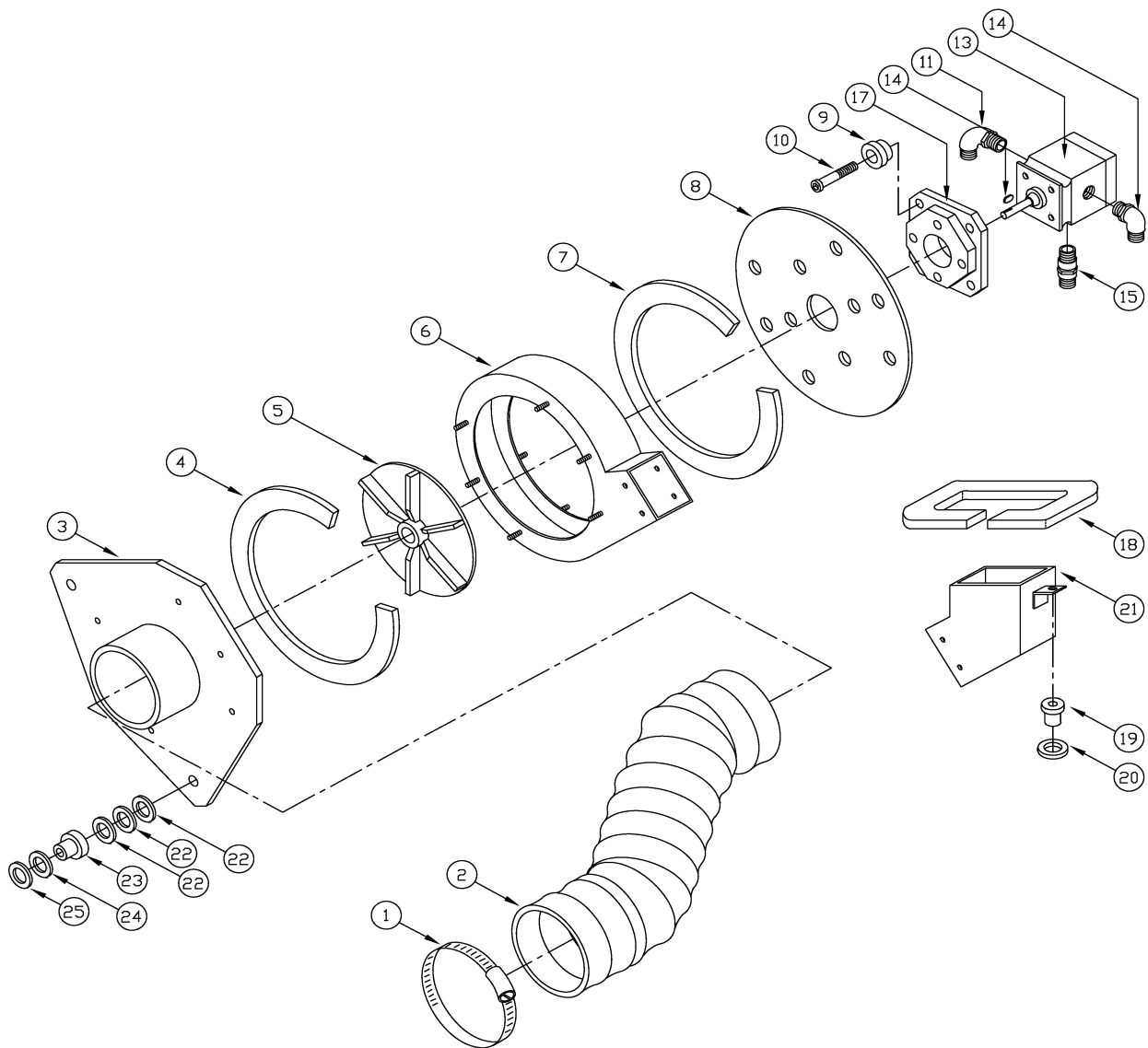


080PH003

**HYDRAULIC GROUP - CONTROL VALVE**

REF#	PART #	DESCRIPTION	QUANTITY
	307027	ASSY- CONTROL VALVE SUB ARMA	1
1	300558	KNOB - TAPERED #145 BLACK	3
2	307026	ASSY - LEVER COMP RH ARMA	1
3	307028	ASSY - LEVER COMP CENTER ARMA	1
4	307029	ASSY - LEVER COMP LH ARMA	1
5	300884	ROD - PIVOT CONTROL VALVE PLTD	1
6	300548	RING - RETAINING EXT .38	2
7	307206	LINK - HYD VLV SW/A PLTD	6
8	307196	ASSY - CONT VLV MNT PNTD SW/A	1
9	400155	FITTING - 90 7/8-14 TO #8	1
10	400150	FITTING - STR 3/4-16 TO #4	1
11	301683	ORIFICE - "A"	1
12	400150	FITTING - STR 3/4-16 TO #4	1
13	309354	ORIFICE #32	1
14	400150	FITTING - STR 3/4-16 TO #4	1
15	301683	ORIFICE - "A"	1
16	400163	FITTING - TEE OFFSET 3/4-16 TO #8	1
17	400158	FITTING - 45 7/8-14 TO #8	1
18	400157	FITTING - 45 3/4-16 TO #8	1
19	307433	VALVE - HYD CONTROL 3-SPOOL SW/A	1
20	400426	PIN - CLEVIS 3/16 X 3/4 ZP	3
21	400425	PIN - CLEVIS 1/4 X 5/8 ZP	3
22	300465	MOUNT - ISOLATION	4
	400037	SCREW - HHM 5/16-18 X 2.75 LG ZP	1
	400038	SCREW - HHM 5/16-18 X 2.25 LG ZP	1
	400070	NUT - HEX 5/16-18 ZP	2
	400088	WASHER - FLAT 5/16 STANDARD ZP	2
	400102	WASHER - LOCK 5/16 SPLIT ZP	2
	400028	SCR - HHM 3/8-16 X 1.50 LG ZP	4
	400078	NUT - HEX 1/2-13 ES ZP	4
	400079	NUT - HEX 3/8-16 ES ZP	4

# IMPELLER GROUP

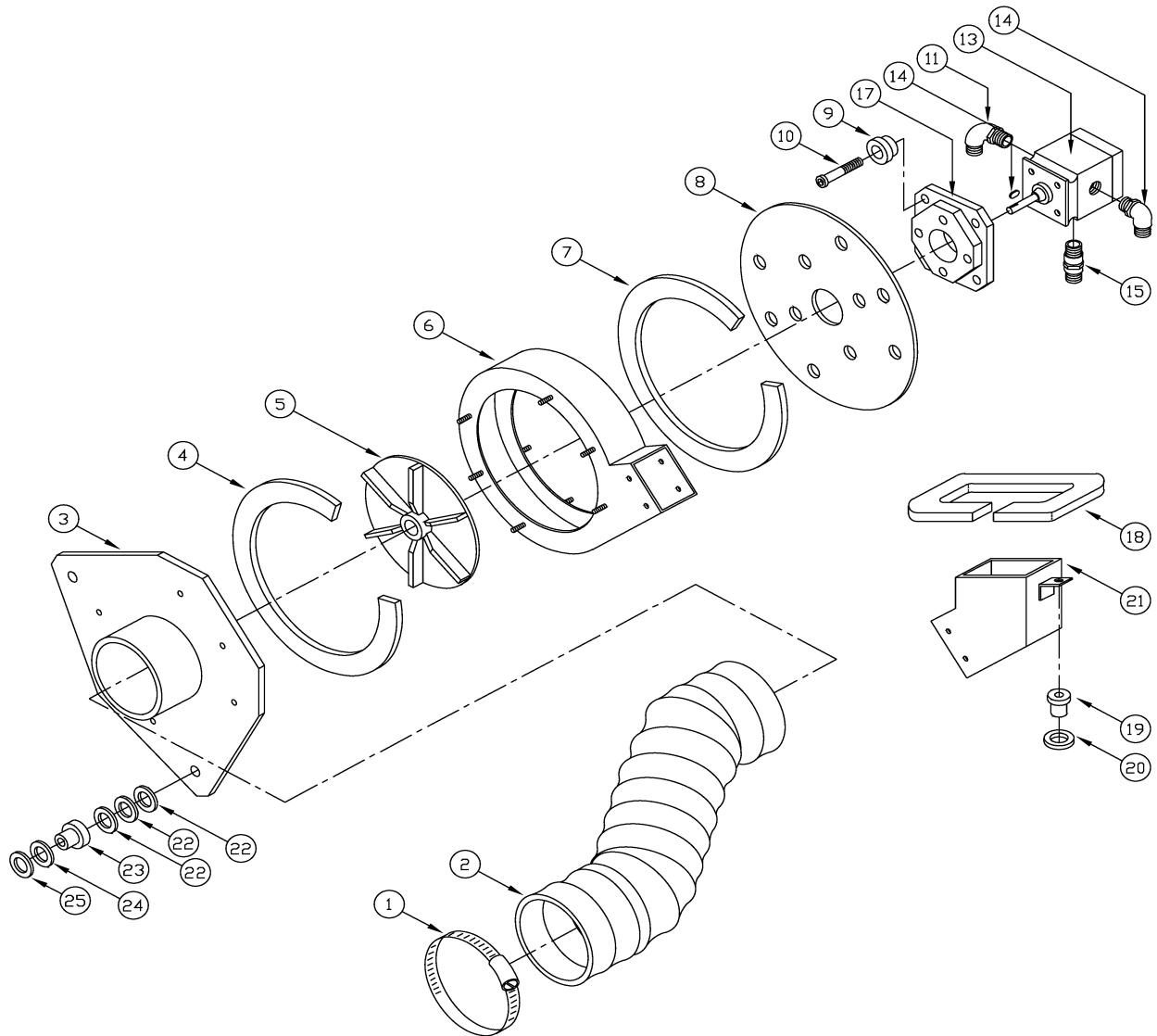


121PH001

**IMPELLER GROUP**

REF#	PART #	DESCRIPTION	QUANTITY
1	300351	HOSE CLAMP, 4.00" DIAMETER	1
2	307767	FLEXIBLE HOSE, 4" (6 3/4" LENGTH)	1
	400035	SCREW - HHM 5/16-18 X 1.00 LG ZP	2
	400384	WASHER - CONICAL SPRING 5/16	2
	307017	ASSY - IMPELLER ARMA SUB	1
3	307166	FRONT MOUNT ASSEMBLY, IMPELLER SW/A	1
4	304183	GASKET, IMPELLER (SW/75 & SW/A)	1
5	307003	IMPELLER, SW/A	1
6	307004	SHROUD, IMPELLER SW/A	1
7	304183	GASKET, IMPELLER (SW/75 & SW/A)	1
8	307172	MOUNT, IMPELLER MOTOR SW/A	1
10	300465	ISOLATION MOUNT	4
11	400154	HYDRAULIC FITTING, 90 3/4-16 TO #8	1
13	307002	MOTOR - IMPELLER SW/A	1
14	400154	HYDRAULIC FITTING, 90 3/4-16 TO #8	1
15	400212	HYDRAULIC FITTING, ADAPTER 7/16-20 TO #4	1
17	307152	MOUNT ASSEMBLY - IMPELLER MOTOR SW/A	1
19	300465	ISOLATION MOUNT	1
20	400278	FENDER WASHER 3/8	1
21	307189	IMPELLER MANIFOLD ASSY., SW/A	1
22	400278	FENDER WASHER 3/8	5
23	300465	ISOLATION MOUNT	3
25	400278	FENDER WASHER 3/8	3
	400028	SCREW - HHM 3/8-16 X 1.50 LG ZP	3
	400070	NUT - HEX 5/16-18 ZP	4
	400079	NUT - HEX 3/8 -16 ES ZP	4
	400081	NUT - HEX 1/4-20 ES ZP	14
	400089	WASHER - FLAT 1/4 STANDARD ZP	4
	400102	WASHER - LOCK 5/16 SPLIT ZP	4
	400252	SCREW - HEX 1/4-20 X 3.0 ZP	2
	400349	SCREW - FHM 5/16-18 X 1.00 LG SS	3
	400420	NUT - HEX 5/16-24 ES	1
9	307187	SPACER, IMPELLER	4
	300465	MOUNT - ISOLATION	4
18	307777	GASKET - IMPELLER MANIFOLD SW/A	1
24	307188	ISOLATION SPACER, IMPELLER	3

# IMPELLER GROUP (CONT.)



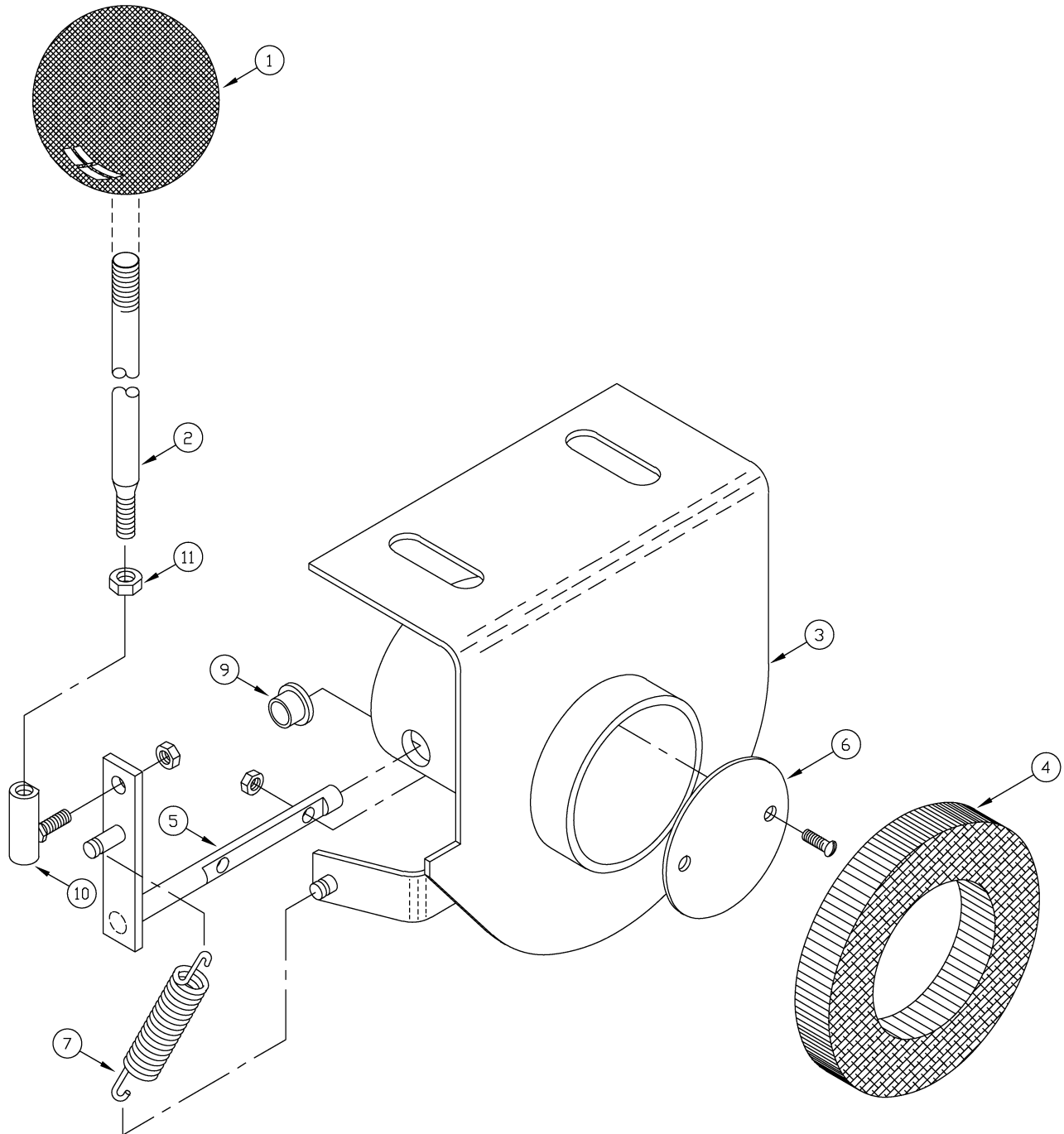
121PH001



**IMPELLER GROUP (CONT.)**

REF#	PART #	DESCRIPTION	QUANTITY
	400027	SCREW - HHM 3/8-16 X 1.75 LG ZP	3
	400028	SCR - HHM 3/8-16 X 1.50 LG ZP	1
	400278	WASHER - FENDER 3/8	17
	400079	NUT - HEX 3/8-16 ES ZP	4

# IMPELLER GROUP - GASKET MOUNT

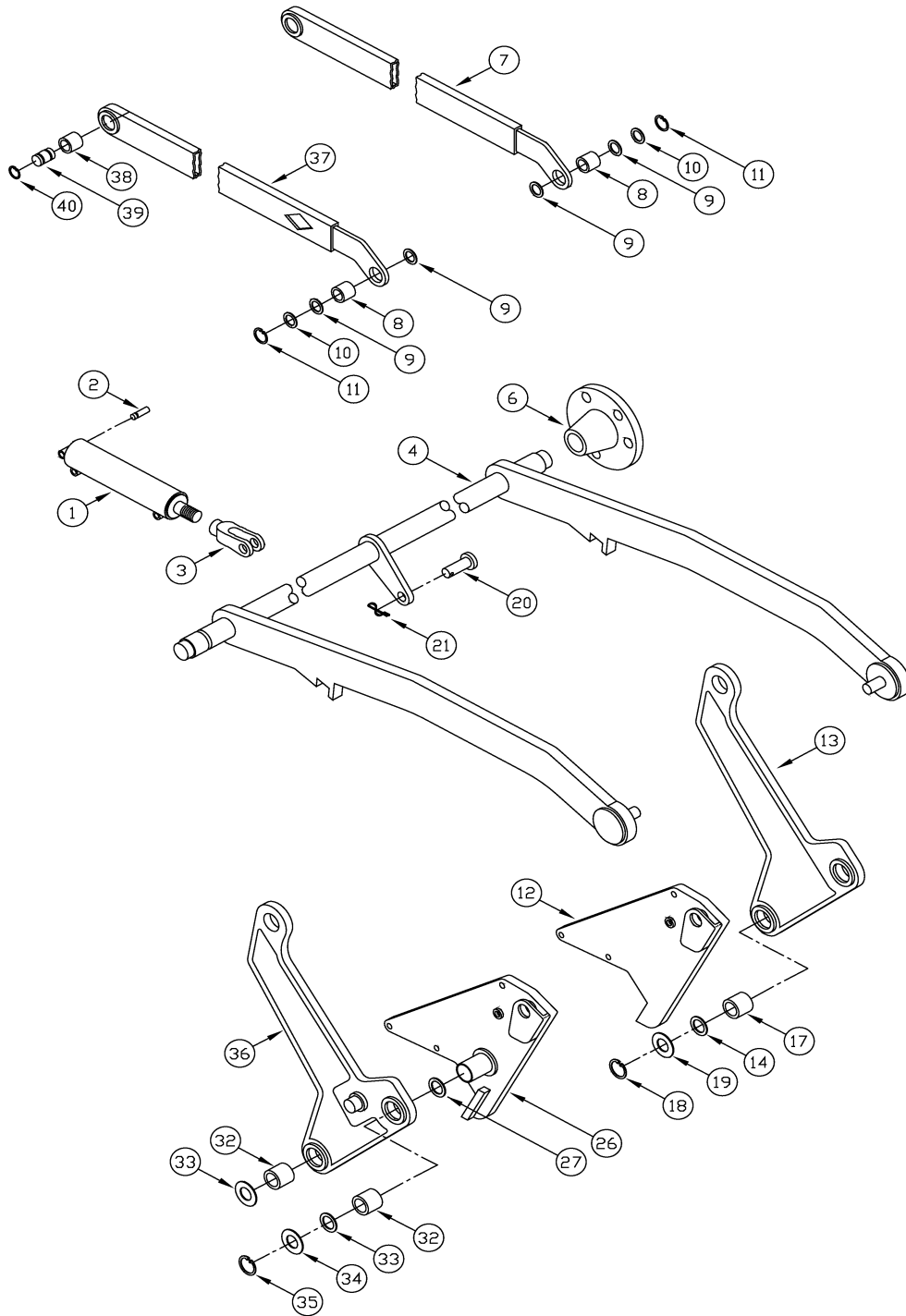


121PH002

**IMPELLER GROUP - GASKET MOUNT**

REF#	PART #	DESCRIPTION	QUANTITY
	307018	ASSY - GASKET MOUNT SUB ARMA	1
1	300563	KNOB - BALL 1" DIA #113 - BLACK	1
2	307173	ROD - IMPELLER BAFFLE PLTD	1
3	307182	ASSY - GASKET MOUNT PNTD SW/A	1
4	307005	GASKET - IMPELLER SW/A	1
5	307155	ASSY - GASKET MOUNT BAFFLE PLTD SW/A	1
6	301498	DAMPER - HOPPER SHUTOFF PLTD	1
7	304160	SPRING - EXTENSION 2.00 LG	1
8	400103	WASHER - LOCK 1/4 SPLIT ZP	1
9	300414	BUSHING - PLASTIC MAIN BROOM	2
10	301199	ASSY - BALL JOINT 1/4	1
11	400180	NUT - HEX 1/4-28 ZP	2
	310092	CAP - VACUUM ASSY GSKT MNT ARMA	1
	310093	PLUG - 3/8 PLASTIC ASSY GSKT MNT	1
	400045	SCREW - PAN #8-32 X .62 SLT ZP	2
	400082	NUT - HEX #8-32 ES ZP	2
	307767	HOSE - IMPELLER ARMA	1
	300351	CLAMP - HOSE 4.00 DIA	2
	400035	SCREW - HHM 5/16-18 X 1.00 LG ZP	2
	400390	NUT - FLANGE 5/16-18	2
	400384	WASHER - CONICAL SPRING 5/16	2

# LIFT ARM GROUP

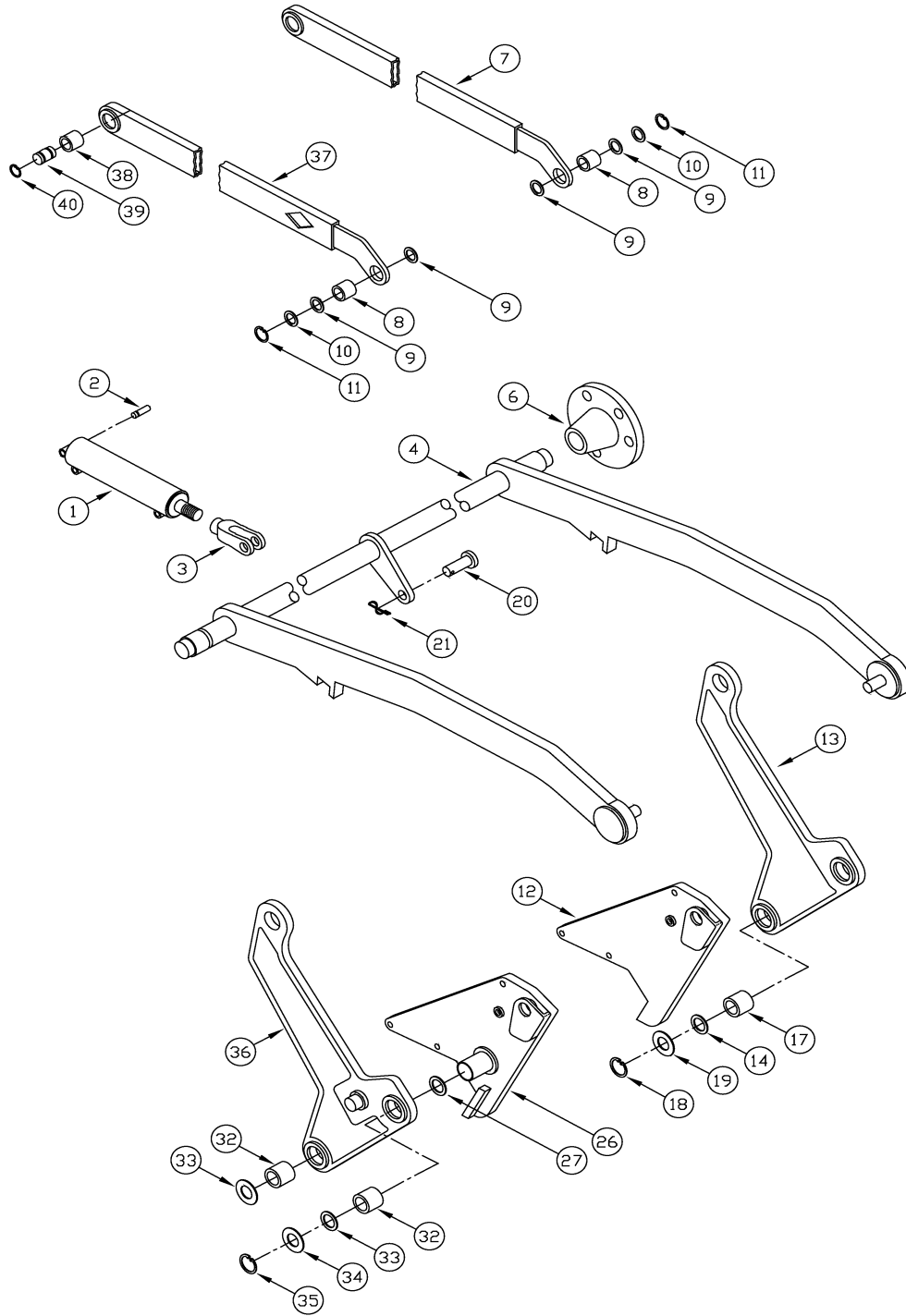


022PH001

**LIFT ARM GROUP**

REF#	PART #	DESCRIPTION	QUANTITY
1	307243	CYLINDER - LIFT HOPPER ARMA	1
	400152	FTG - 90 1/2-20 TO #5	2
2	307408	PIN - LOWER LIFT CYL PLTD SW/A	1
3	301370	CLEVIS - HYD CYL LD (SP)	1
4	307305	ASSY - LIFT ARM HOPPER PNTD	1
	400025	SCREW - HHM 7/16-14 X 1.25 LG ZP	8
	400099	WASHER - LOCK 7/16 SPLIT ZP	8
	302472	MOUNT - WIRE TIE LOW PROFILE	1
	4000-0088	NUT - NYLON LK 5/8-11	1
	4000-0089	RIVET - AVDEL 3/16 X .602	1
	400107	PIN - CLEVIS 1.00 X 2-5/8 ZP	1
	400121	PIN - COTTER 5/32 X 1.50 ZP	1
	400012	FTG - GREASE 3/16	4
6	307605	ASSY - DUMP ARM MNT SW/A PNTD	2
	400025	SCREW - HHM 7/16-14 X 1.25 LG ZP	8
	400099	WASHER - LOCK 7/16 SPLIT ZP	8
	307076	ASSY - SECONDARY ARM SUB ARMA RH	1
8	300836	BEARING - .218 OD X 2.00 ID X .75	1
38	300837	BEARING - 1.12 OD X 1.00 ID X .75	2
37	307312	ASSY - UPPER LIFT ARM SW/A PNTD	1
	307095	HOSE - HYD VLV TO RH ROT CYL	1
	307751	WIRE HARNESS - LIFT ARM SW/A	1
	307077	ASSY - SECONDARY ARM SUB ARMA LH	1
8	300836	BEARING - .218 OD X 2.00 ID X .75	1
38	300837	BEARING - 1.12 OD X 1.00 ID X .75	2
7	307550	ASSY - LH UPPER LIFT ARM SW/A PNTD	1
	307096	HOSE - HYD VAL TO LFT ROT CYL	1
9	400177	BEARING - FIBERGLIDE 2.06 ID X 3.25	4
10	300882	WASHER - HD 3.25 OD X 2.00 ID	2
11	301709	RING - RET EXT 2.00	2
12	307489	ASSY - LH HOPPER PIVOT PLT PNTD	1
	307075	ASSY - LH CYLINDER MOUNT SUB	1
13	307427	ASSY - IDLER PLATE SW/A PNTD	1
17	300840	BEARING - 2.18 OD X 2.00 ID X 1.50	4
14	400177	BEARING - FIBERGLIDE 2.06 ID X 3.25	3
	301709	RING - RET EXT 2.00	4
	300882	WASHER - HD 3.25 OD X 2.00 ID	4

# LIFT ARM GROUP (CONT.)

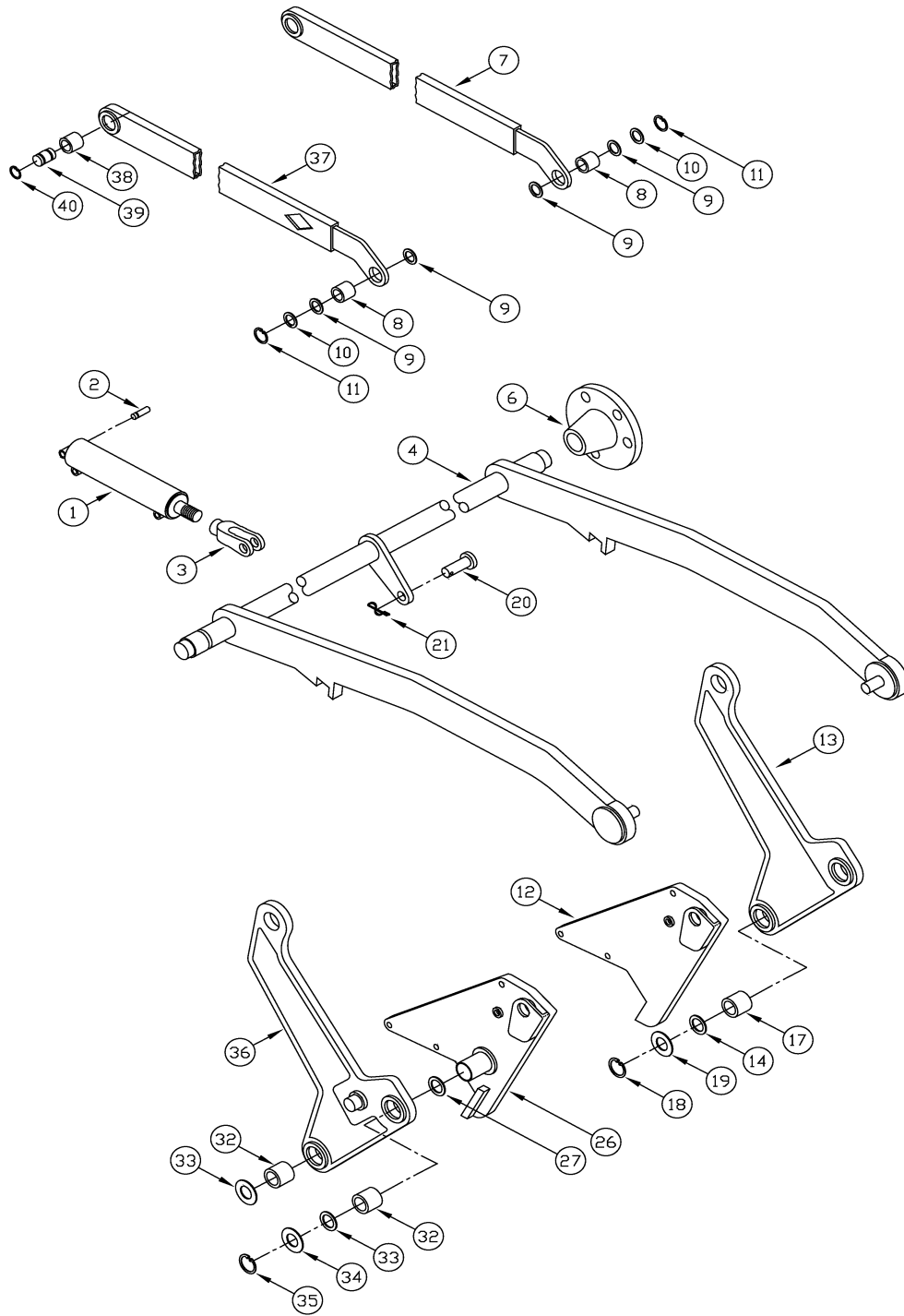


022PH001

**LIFT ARM GROUP (CONT.)**

REF#	PART #	DESCRIPTION	QUANTITY
18	301709	RING - RET EXT 2.00	2
19	300879	WASHER - HD 3.25 OD X 1.00 ID	1
20	400107	PIN - CLEVIS 1.00 X 2-5/8 ZP	1
21	400120	PIN - COTTER 5/32 X 2.00 ZP	1
	307607	PIN REAR - ROTATION CYL PLTD	2
	301998	RING - RET EXT .940	4
	307323	CYLINDER - ROTATION SW/A PNTD	2
	400152	FTG - 90 1/2-20 TO #5	2
	317119	ASSY - BLOCK ROTATION SUB RH	1
	300552	BEARING - 1 ID X 1.124 OD X 1.50	1
	307741	ASSY - BLOCK ROTATION CYL PLTD	1
	317124	ASSY - BLOCK ROTATION SUB LH	1
	300552	BEARING - 1 ID X 1.124 OD X 1.50	1
	307878	ASSY - BLOCK ROTATION CYL LH PLTD	1
	400449	NUT - HEX JAM 1/2-10 ZP	2
	400306	SCREW - HHM 1/2-20 X 1.00 ZP	2
	400054	SCR - SSCP 1/4-20 X .25 LG ZP	2
	400152	FTG - 90 1/2-20 TO #5	4
26	307481	ASSY - RH HOPPER PIVOT PLT PNTD	1
	301665	GROMMET - Z-2056	2
	307738	MOUNT - RTR #2 SW/A PLTD	2
	400036	SCREW - HHM 5/16-18 X .75 ZP	2
	307728	SLEEVE - ADJUSTABLE SW/A	2
	400102	WASHER - LOCK 5/16 SPLIT ZP	2
27	400177	BEARING - FIBERGLIDE 2.06 ID X 3.25	2
	307606	PIN FRT - ROTATION CYL PLTD	2
	400076	NUT - HEX JAM SLOTTED 1/14 ZP	2
	300879	WASHER - HD 3.25 OD X 1.00 ID	2
	400177	BEARING - FIBERGLIDE 2.06 ID X 3.25	2
	307074	ASSY - RH CYLINDER MOUNT SUB	1
36	307421	ASSY - ROTATION CYL MNT PNTD	1
32	300840	BEARING - 2.18 OD X 2.00 ID X 1.50	4
33	400177	BEARING - FIBERGLIDE 2.06 ID X 3.25	2
	400120	PIN - COTTER 5/32 X 2.00 ZP	1
	400071	NUT - HEX 1/4-20 ZP	1
34	300882	WASHER - HD 3.25 OD X 2.00 ID	2
35	301709	RING - RET EXT 2.00	2

# LIFT ARM GROUP (CONT.)



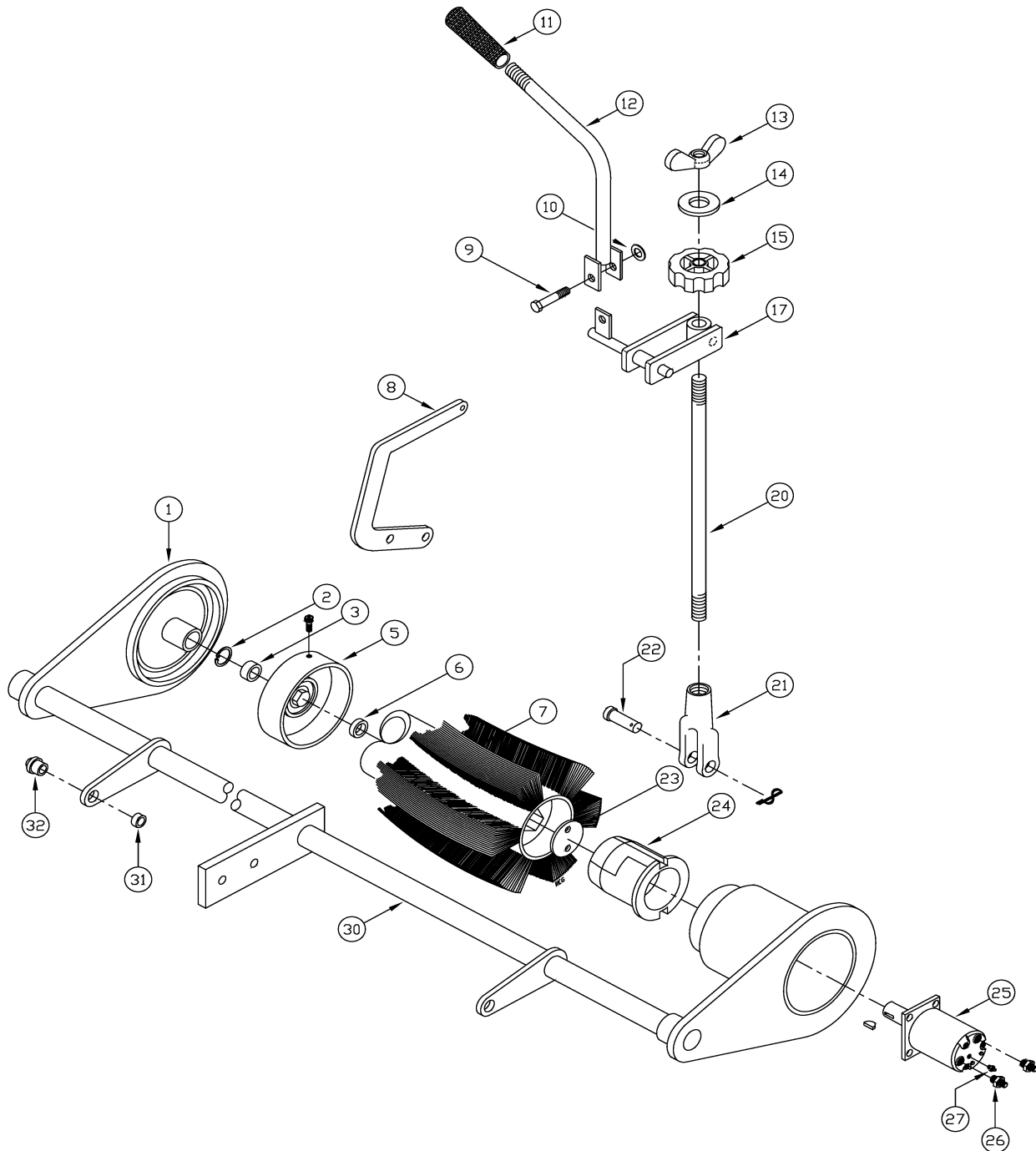
022PH001



**LIFT ARM GROUP (CONT.)**

REF#	PART #	DESCRIPTION	QUANTITY
39	307430	PIN - UPPER LIFT ARM PLTD SW/A	2
40	301998	RING - RET EXT .940	4
	301665	GROMMET - Z-2056	1
	400036	SCR - HHM 5/16-18 X .75 LG ZP	1
	400384	WASHER - CONICAL SPRING 5/16	2
	307431	RING - RETAINING EXT LIFT CYL	2
	400054	SCREW - SSCP 1/4-20 X .25 LG ZP	2
	400071	NUT - HEX 1/4-20 ZP	1
	400390	NUT - FLANGE LOCK 5/16-18	1
	400278	WASHER - FENDER 3/8	2

# MAIN BROOM GROUP

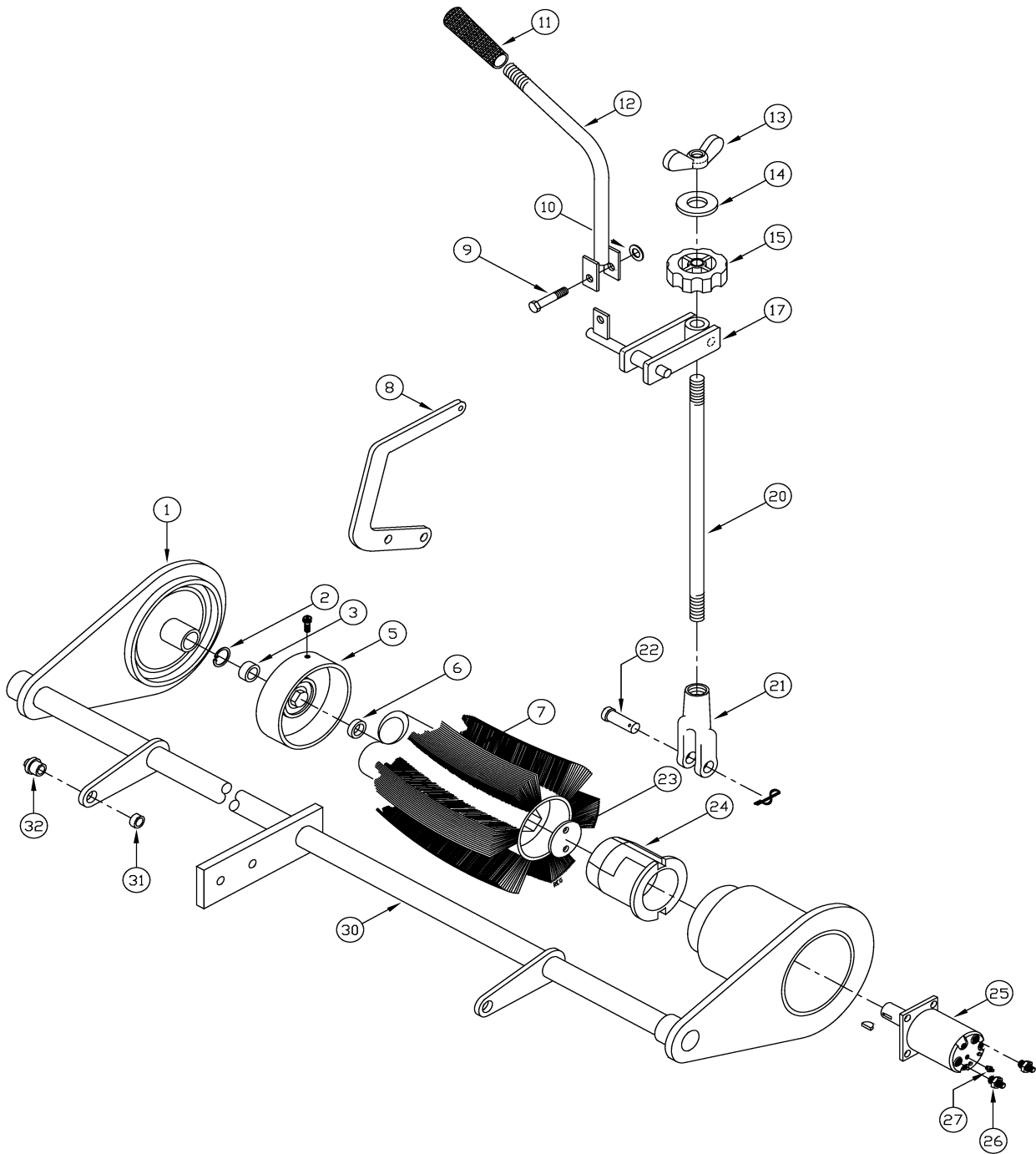


090PH001

**MAIN BROOM GROUP**

REF#	PART #	DESCRIPTION	QUANTITY
	307016	ASSY - MAIN BRM SUB ARMA	1
2	305666	RING - RETAINING MAIN BROOM	1
3	305667	BEARING - MAIN BROOM	1
	400047	SCREW - SHC 5/16-18 X .75 LG ZP	2
5	305642	HUB - BROOM IDLER PNTD	1
6	400091	WASHER - FENDER 1/2 ZP	1
23	301285	RETAINER - DR HUB PLTD	1
24	301050	HUB - MB DRIVE PNTD	1
	400049	SCREW - SHC 1/4-20 X .75 LG ZP	3
	400103	WASHER - LOCK 1/4 SPLIT ZP	3
25	305669	MOTOR - HYD MAIN BROOM	1
	400032	SCREW - HHM 3/8-16 X .75 LG ZP	4
	400101	WASHER - LOCK 3/8 SPLIT ZP	4
26	304899	FTG - ADAP 3/4-16 TO 1/2 OD TUBE	2
27	400212	FTG - ADAPTER 7/16-20 TO #4	1
30	307207	ASSY - M BRM ARM ARMA PNTD	1
	400024	SCREW - HHM 1/2-13 X .75 LG ZP	1
	400098	WASHER - LOCK 1/2 SPLIT ZP	1
	400023	SCREW - HHM 1/2-13 X 1.00 LG ZP	1
	400086	WASHER - FLAT 1/2 STANDARD ZP	1
	400065	NUT - HEX 1/2-13 ZP	2
	400086	WASHER - FLAT 1/2 STANDARD ZP	5
	400091	WASHER - FENDER 1/2	1
	400098	WASHER - LOCK 1/2 SPLIT ZP	2
	400405	SCREW - HHM 1/2-13 X 3.00 ZP	1
1	305795	ASSY - ARM MB IDLER WB PNTD	1
7	MAIN BROOM (Choose From the Following)		1
	305663	BROOM - 48" PROEX & WIRE	1
	305665	BROOM - 48" HIGH DENSITY NYLON	1
	305810	BROOM - 48" POLY PROEX	1
	305812	BROOM - 48" NYLON	1
	305814	BROOM - 48" HERRINGBONE (PATROL-NYLON)	1
	305824	BROOM - 48" CRINKLE WIRE	1
8	307214	PLT - LIFT ARM MAIN BRM PNTD	1
	400030	SCREW - HHM 3/8-16 X 1.00 LG ZP	2
	400385	WASHER - CONICAL SPRING 3/8	2

# MAIN BROOM GROUP (CONT.)

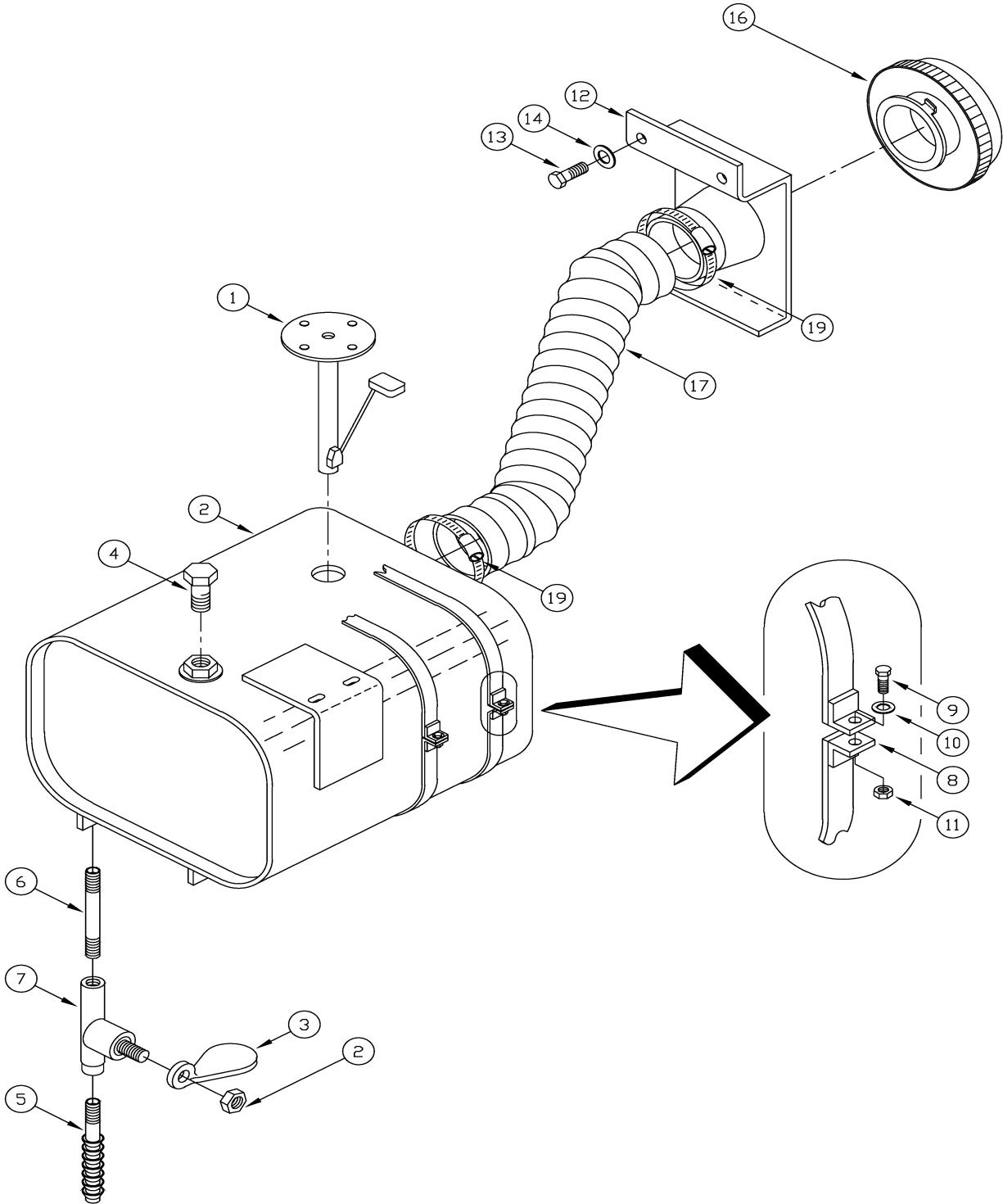


090PH001

**MAIN BROOM GROUP (CONT.)**

REF#	PART #	DESCRIPTION	QUANTITY
	400392	NUT - FLANGE LOCK 3/8-16	2
9	400117	PIN - CLEVIS 3/8 X 1-1/8 ZP	1
	400125	PIN - COTTER 3/8 RUE-RING	1
	400087	WASHER - FLAT 3/8 STANDARD ZP	1
10	300414	BUSHING - PLASTIC MAIN BROOM	1
11	300558	KNOB - MB CB SQ	1
12	307211	ASSY - MAIN BROOM LEVER PLTD SW/A	1
13	400084	NUT - WING 1/2-13 ZP	1
15	300352	KNOB - MB LIFT ADJ	1
14	400091	WASHER - FENDER 1/2	1
16	303225	RETAINER - ELEC SCRUB HEAD LIFT PLTD	1
17	307209	ASSY - PIVOT MAIN BRM ARMA PNTD	1
	300414	BUSHING - PLASTIC MAIN BROOM	1
	400113	PIN - CLEVIS 3/8 X 5.50 ZP	1
	400125	PIN - COTTER 3/8 RUE-RING	1
	400087	WASHER - FLAT 3/8 STANDARD ZP	1
20	307213	ROD - LIFT MAIN BRM ARMA PLTD	1
	400075	NUT - HEX JAM 3/8-24 ZP	1
21	301447	CLEVIS - CABLECRAFT AC-218	1
22	400116	PIN - CLEVIS 3/8 X 1-1/4 ZP	1
	400125	PIN - COTTER 3/8 RUE-RING	1
	400087	WASHER - FLAT 3/8 STANDARD ZP	2
	307337	GASKET - MAIN BRM ARM SW/A	3
	307338	RETAINER - GASKET MB ARM SW/A PLTD	3
	400044	SCREW - HHM #10-32 X .75 LG ZP	12
	400072	NUT - HEX #10-32 ZP	12
	400104	WASHER - LOCK #10 SPLIT ZP	12
31	307181	SPACER - INNER ENG MNT TYA PLTD	2
32	300432	BUSHING - FL-52-4	2
	400067	NUT - HEX 3/8-24 ZP	2
	400262	SCREW - HHM 3/8-24 X 1.25 ZP	2

# MISCELLANEOUS GROUP - GAS TANK



400PH004

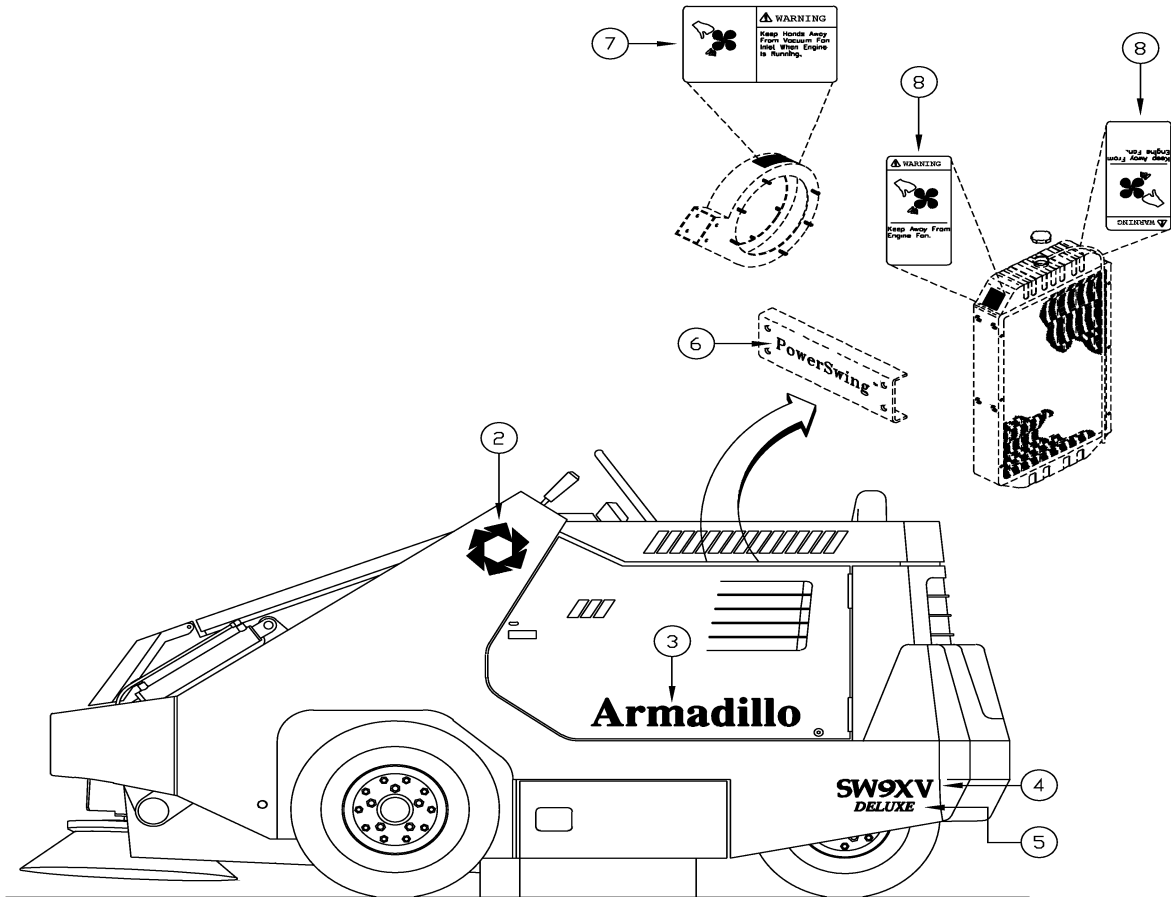
**MISCELLANEOUS GROUP - GAS TANK**

REF#	PART #	DESCRIPTION	QUANTITY
	307081	ASSY - GAS TANK SUB ARMA	1
Above sub-assembly contains the following items. (1 THRU 7)			
1	300388	SENDER - FUEL W/CORK GASKET	1
2	307575	TANK - FUEL SW/A	1
3	316146	HANDLE - FUEL SHUT OFF (U.L.)	1
4	400256	FTG - PIPE PLUG 1/4 MPT	1
5	400261	FTG - HOSE BARB 1/4 MPT TO 3/8	1
6	400498	FTG - NIPPLE 1/4 NPT X 2.0 BRASS	1
7	400499	VALVE - MINIATURE 1/4 FPT BALL	1
8	307731	ASSY - STRAP FUEL TANK SW/A	2
9	400173	SCREW - HEX 1/4-20 X 1.75 ZP	2
10	400383	WASHER - CONICAL 1/4	2
11	400081	NUT - HEX 1/4-20 ES ZP	2
12	307780	ASSY - FUEL CAP MOUNT SW/A PNTD	1
13	400036	SCR - HHM 5/16-18 X .75 LG ZP	2
14	400384	WASHER - CONICAL SPRING 5/16	2
16	307807	CAP - GAS TANK ARMA PNTD	1
17	315369	HOSE - FUEL FILLER 9XT	1
19	300336	CLAMP - HOSE 2 1/2 NOM SS	2
	307854	HOSE - FUEL LINE LONG TYA	1
	300417	FILTER - FUEL	1
	302338	CLAMP - HOSE .22 TO .62	1
	500137	HOSE - 1/8 ID EED/PCV	8.6 ft.

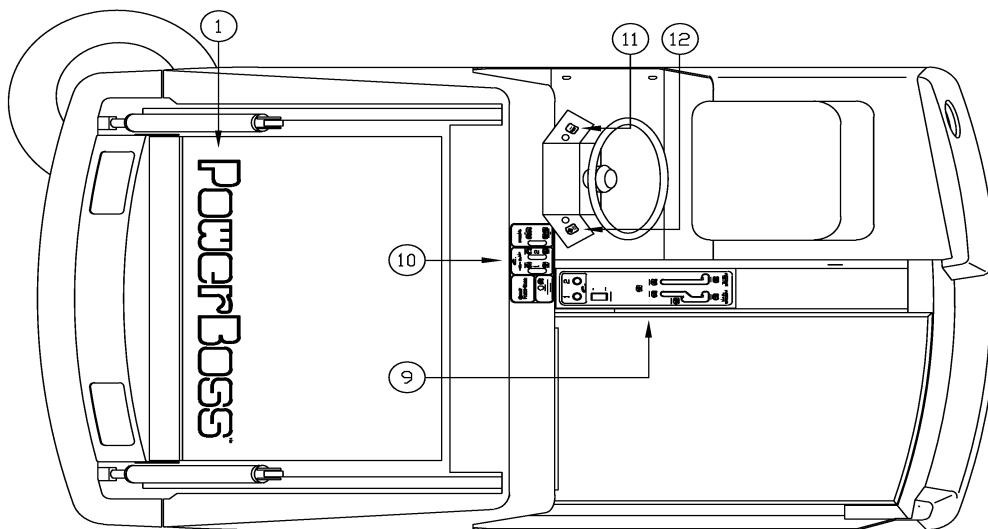
**KUBOTA DIESEL ENGINE:**

	307066	ASSY - GAS TANK SUB DSL ARMA	1
Above sub-assembly contains the following items. (1 THRU 7)			
1	300388	SENDER - FUEL W/CORK GASKET	1
	304622	FTG - REDUCER 1/4 MPT 1 1/8 FPT	1
2	307575	TANK - FUEL SW/A	1
	307778	FTG - 90 EL 1/8 MPT X 1/4 HOSE BARB	1
3	316146	HANDLE - FUEL SHUT OFF (U.L.)	1
4	400261	FTG - HOSE BARB 1/4 MPT TO 3/8	1
6	400498	FTG - NIPPLE 1/4 NPT X 2.0 BRASS	1
7	400499	VALVE - MINIATURE 1/4 FPT BALL	1

# MISCELLANEOUS GROUP - DECALS



Left Side



Top View

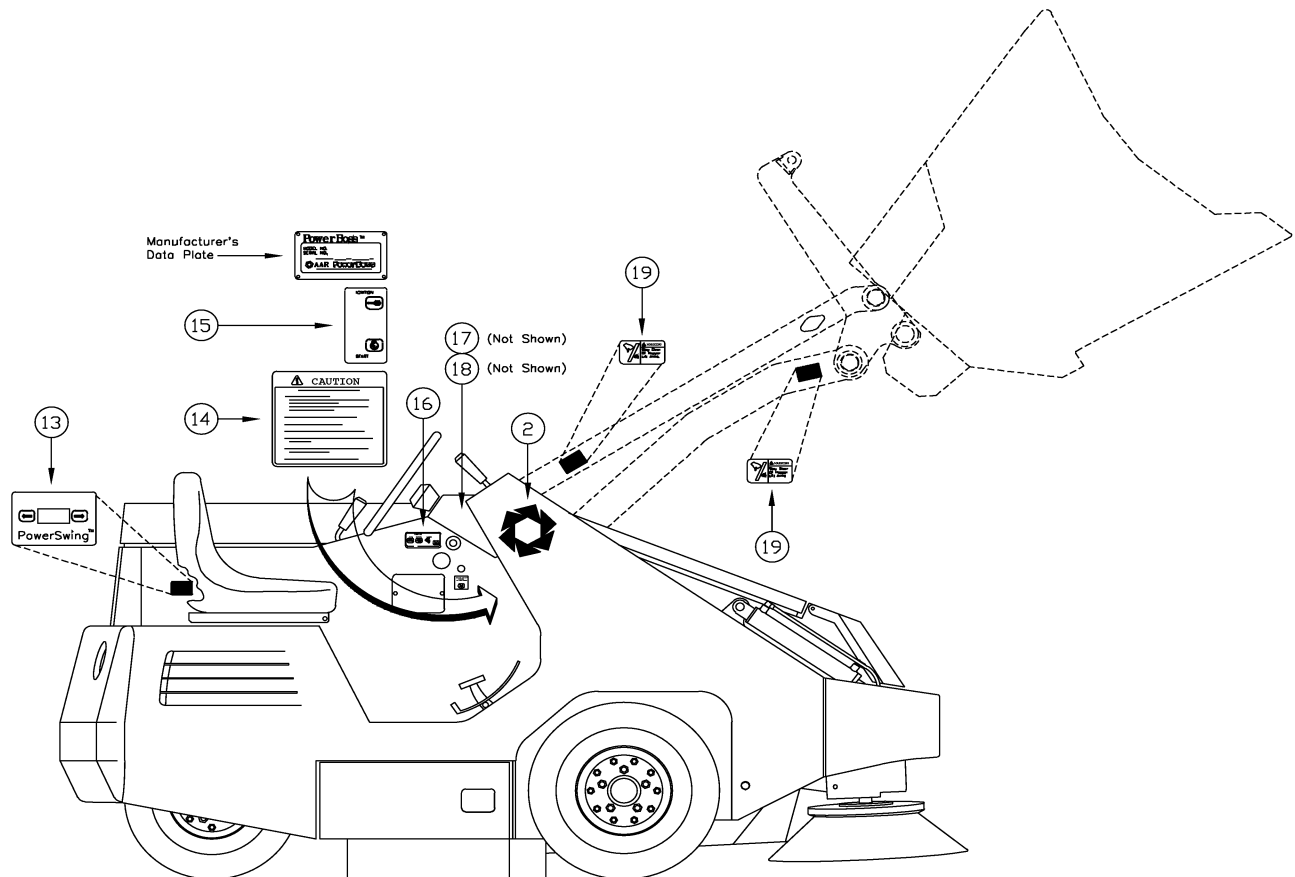
400PH001



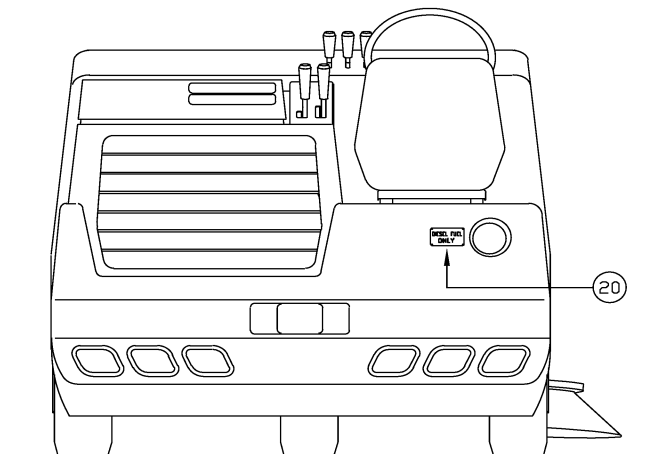
**MISCELLANEOUS GROUP - DECALS**

REF#	PART #	DESCRIPTION	QUANTITY
<b>DECALS:</b>			
1	307581	DECAL - "POWERBOSS" SW/A	1
2	307583	DECAL - "*" LOGO ARMA	2
3	307813	DECAL - "ARMADILLO"	1
4	318021	DECAL - "SW/9XV"	1
5	318211	DECAL - "DELUXE"	1
6	307814	DECAL - "POWERSWING"	1
7	301729	DECAL - WARNING FAN INLET (IMP)	1
8	301733	DECAL - WARNING FAN (RAD SHROUD)	2
9	307591	DECAL - SIDE PANEL SW/A	1
10	307594	DECAL - FRONT PANEL SW/A	1
11	302525	DECAL - HORN	1
12	302520	DECAL - FILTER SHAKER	1
13	317949	DECAL - POWERSWING	1
14	301854	DECAL - CAUTION	1
15	307599	DECAL - IGNITION SW/A	1
16	307597	DECAL - THROTTLE SW/A	1
17	302518	DECAL - DIRTY FILTER OPTION	1
18	302521	DECAL - FIRE OPTION (HOPPER)	1
19	301732	DECAL - WARNING HOPPER ARMS	4
20	306881	DECAL - "DIESEL FUEL ONLY"	1
	302332	PAD - VAC & BLOWER WAND LG	1
	307588	FLOOR MAT - LARGE SW/A	1
	307587	FLOOR MAT - SMALL SW/A	1

# MISCELLANEOUS GROUP - DECALS (CONT.)



Right Side



Rear View

400PH002

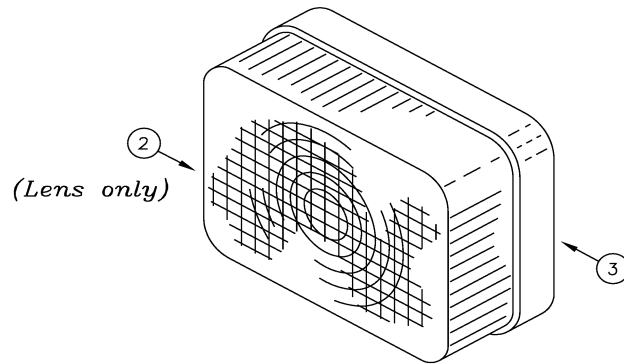
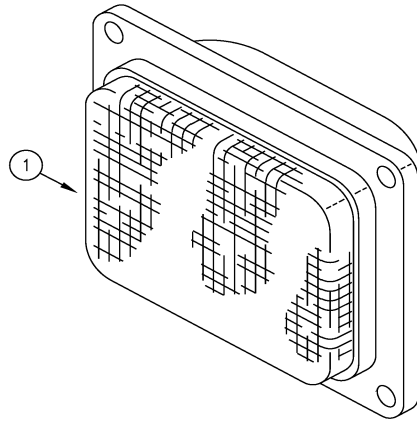
**MISCELLANEOUS GROUP - DECALS (CONT.)**

REF# PART # DESCRIPTION QUANTITY

DECALS:

1	307581	DECAL - "POWERBOSS" SW/A	1
2	307583	DECAL - "*" LOGO ARMA	2
3	307813	DECAL - "ARMADILLO"	1
4	318021	DECAL - "SW/9XV"	1
5	318211	DECAL - "DELUXE"	1
6	307814	DECAL - "POWERSWING"	1
7	301729	DECAL - WARNING FAN INLET (IMP)	1
8	301733	DECAL - WARNING FAN (RAD SHROUD)	2
9	307591	DECAL - SIDE PANEL SW/A	1
10	307594	DECAL - FRONT PANEL SW/A	1
11	302525	DECAL - HORN	1
12	302520	DECAL - FILTER SHAKER	1
13	317949	DECAL - POWERSWING	1
14	301854	DECAL - CAUTION	1
15	307599	DECAL - IGNITION SW/A	1
16	307597	DECAL - THROTTLE SW/A	1
17	302518	DECAL - DIRTY FILTER OPTION	1
18	302521	DECAL - FIRE OPTION (HOPPER)	1
19	301732	DECAL - WARNING HOPPER ARMS	4
20	306881	DECAL - "DIESEL FUEL ONLY"	1
	302332	PAD - VAC & BLOWER WAND LG	1
	307588	FLOOR MAT - LARGE SW/A	1
	307587	FLOOR MAT - SMALL SW/A	1

## MISCELLANEOUS GROUP - LIGHTS

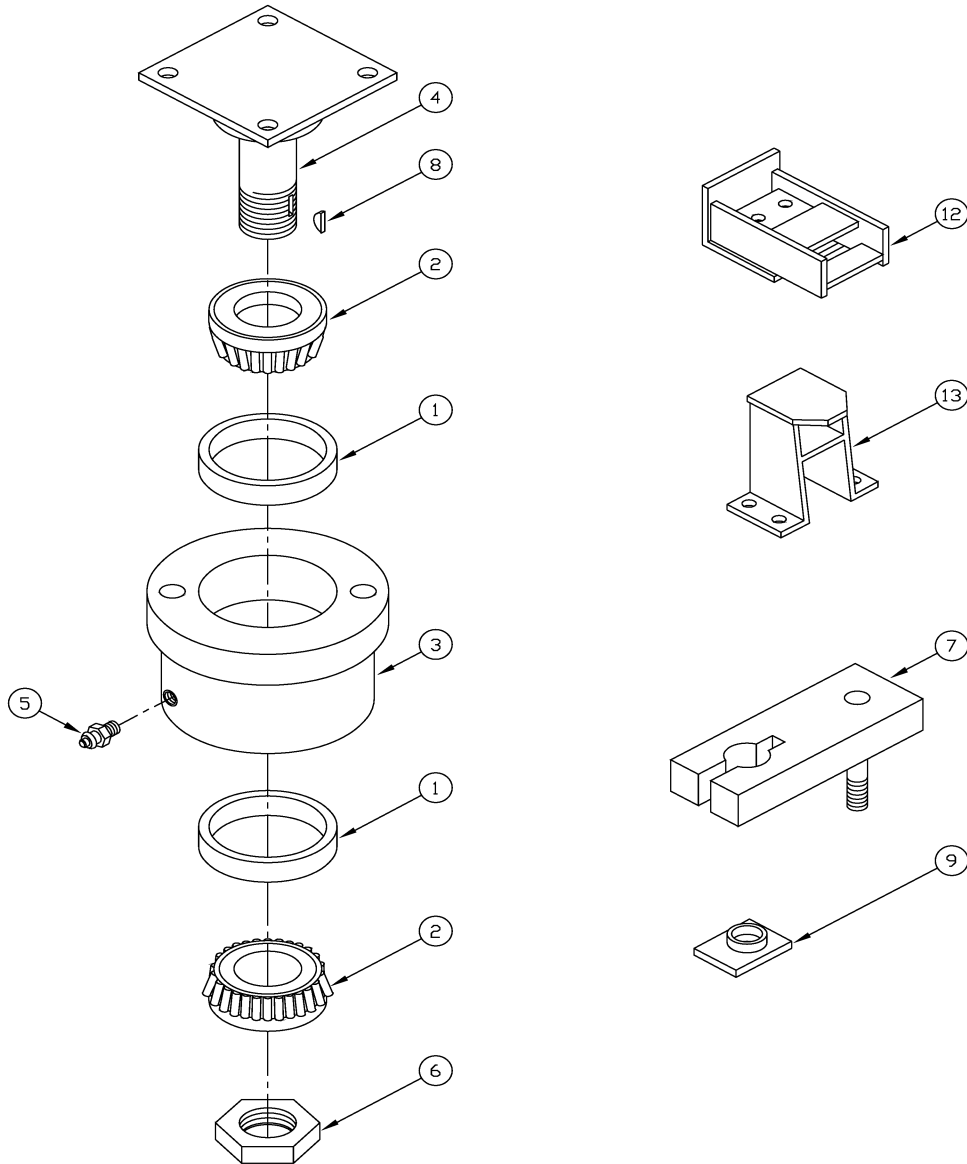


400PH003

**MISCELLANEOUS GROUP - LIGHTS**

REF#	PART #	DESCRIPTION	QUANTITY
	317122	ASSY - TAIL LIGHT SUB SW/9X	2
Above sub-assembly contains the following items. (1 THRU 6)			
	301358	TIE - WIRE	1
	302462	TERMINAL - MALE SNAP PLUG	2
	302472	MOUNT - WIRE TIE LOW PROFILE	1
3	303204	LIGHT - TAIL 1 COMBINATION	1
	307811	BRKT - TAIL LIGHT SW/A PNTD	1
	400484	RIVET AVDEL 3/16 X .602	1
2	303479	LENS - LT TAIL/COMB. (SP)	1
	400035	SCREW - HEX 5/16-18 X 1.0 ZP	1 PER
	400273	WASHER - STAR 5/16 ZP INT TEETH	1 PER
	400390	NUT - FLANGE LOCK 5/16-18 ZP	1 PER
	400384	WASHER - CONICAL SPRING 5/16	1 PER
	301358	TIE - WIRE	9
	302776	MOUNT - WIRE TIE LARGE	8
HEADLIGHTS require the following items & are installed in the hopper lid.			
	301358	TIE - WIRE	2
1	315839	HEADLIGHT - FLUSH MOUNT HALOGEN	2
	301367	WIRING HARNESS - HEADLIGHT	1
	302033	WIRING HARNESS - HD GROUP	1
	302776	MOUNT - WIRE TIE LARGE	2
	400044	SCREW - HEX #10-32 X .75 ZP	8

# POWERSWING GROUP

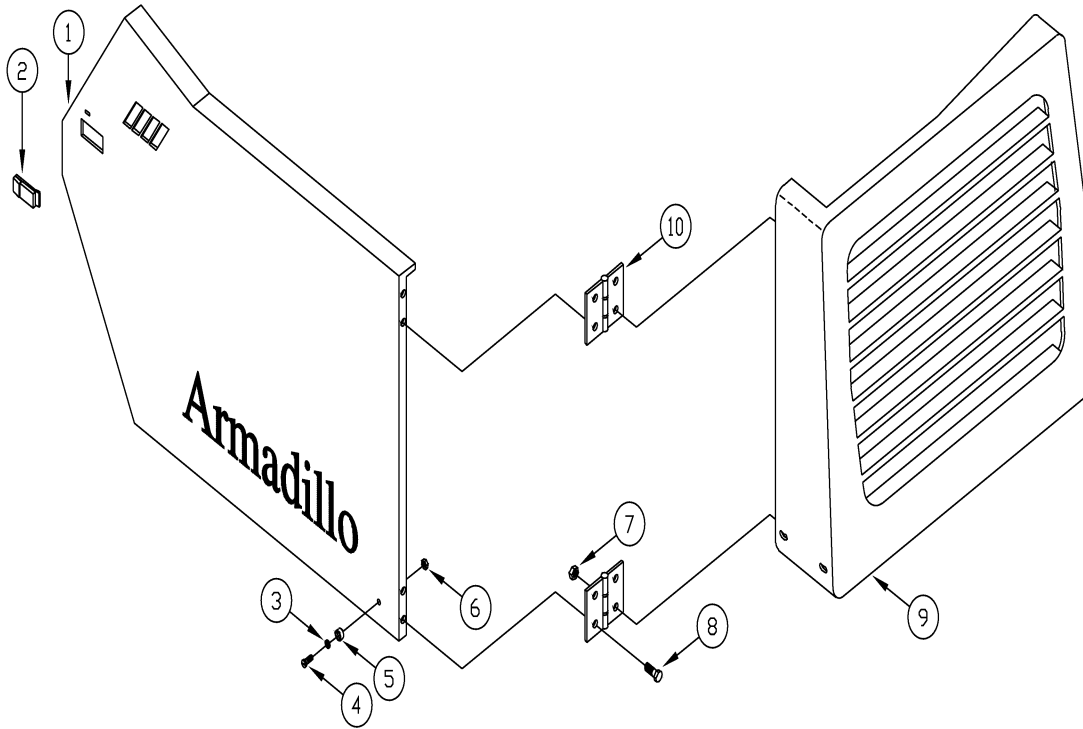


400PH005

**POWERSWING GROUP**

REF#	PART #	DESCRIPTION	QUANTITY
	307014	ASSY - ENGINE PIVOT SUB ARMA PLTD	1
Above sub-assembly contains the following items. (1 THRU 6)			
1	300470	BEARING - TAPERED ROL CUP	2
2	300471	BEARING - TAPERED ROLCONE W/SEAL	2
3	307326	BRG MNT - ENG PIVOT SW/A PNTD	1
4	307327	ASSY - ENG PIVOT PLT SW/A PNTD	1
5	400012	FTG - GREASE 3/16	1
	400029	SCREW - HEX 3/8-16 X 1.25 ZP	1
	400075	NUT - HEX JAM 3/8-24 ZP	4
	400079	NUT - HEX 3/8-16 ES ZP	4
6	400083	NUT - HEX JAM 1 1/4-12 ES ZP	1
	400186	SCREW - HEX 3/8-24 X 1.00 ZP	4
	400038	SCR - HHM 5/16-18 X 2.25 LG ZP	1
	400080	NUT - HEX 5/16-18 ES ZP	1
7	307371	ASSY - ENG SWING ARM SW/A PNTD	1
8	307640	KEY - ENGINE SWING ARM SW/A	1
	400435	WASHER - LOCK 3/4 SPLIT ZP	1
9	400423	NUT - HEX 3/4-16 ZP	1
	307374	ACTUATOR - ENGINE SWING SW/A	1
	302207	RING - RET EXT .50	1
	307841	SPACER - ACTUATOR ENGINE PNTD	1
	400405	SCR - HHM 1/2-13 X 3.00 ZP	1
	400078	NUT - HEX 1/2-13 ES ZP	1
	400065	NUT - HEX 1/2-13 ZP	1
	307590	SWITCH - ENGINE INTERLOCK SW/A	1
	400428	SCREW - PAN #6-32 X 1.0 SLT ZP	2
	400299	NUT - HEX #6-32 ZP	2
	307553	SWITCH - ROCKER ENG SWING SW/A	1
12	307362	ASSY - ENG CATCH INNER SW/A PNTD	1
	400030	SCREW - HEX 3/8-16 X 1.0 LG ZP	2
	400385	WASHER - CONICAL SPRING 3/8	2
	400392	NUT - FLANGE LOCK 3/8-16	2
13	307357	ASSY - ENG CATCH OUTER SW/A PNTD	1
	400035	SCREW - HEX 5/16-18 X 1.0 ZP	4
	400102	WASHER - LOCK 5/16 SPLIT ZP	4
	400070	NUT - HEX 5/16-18 ZP	4

# RADIATOR GUARD GROUP



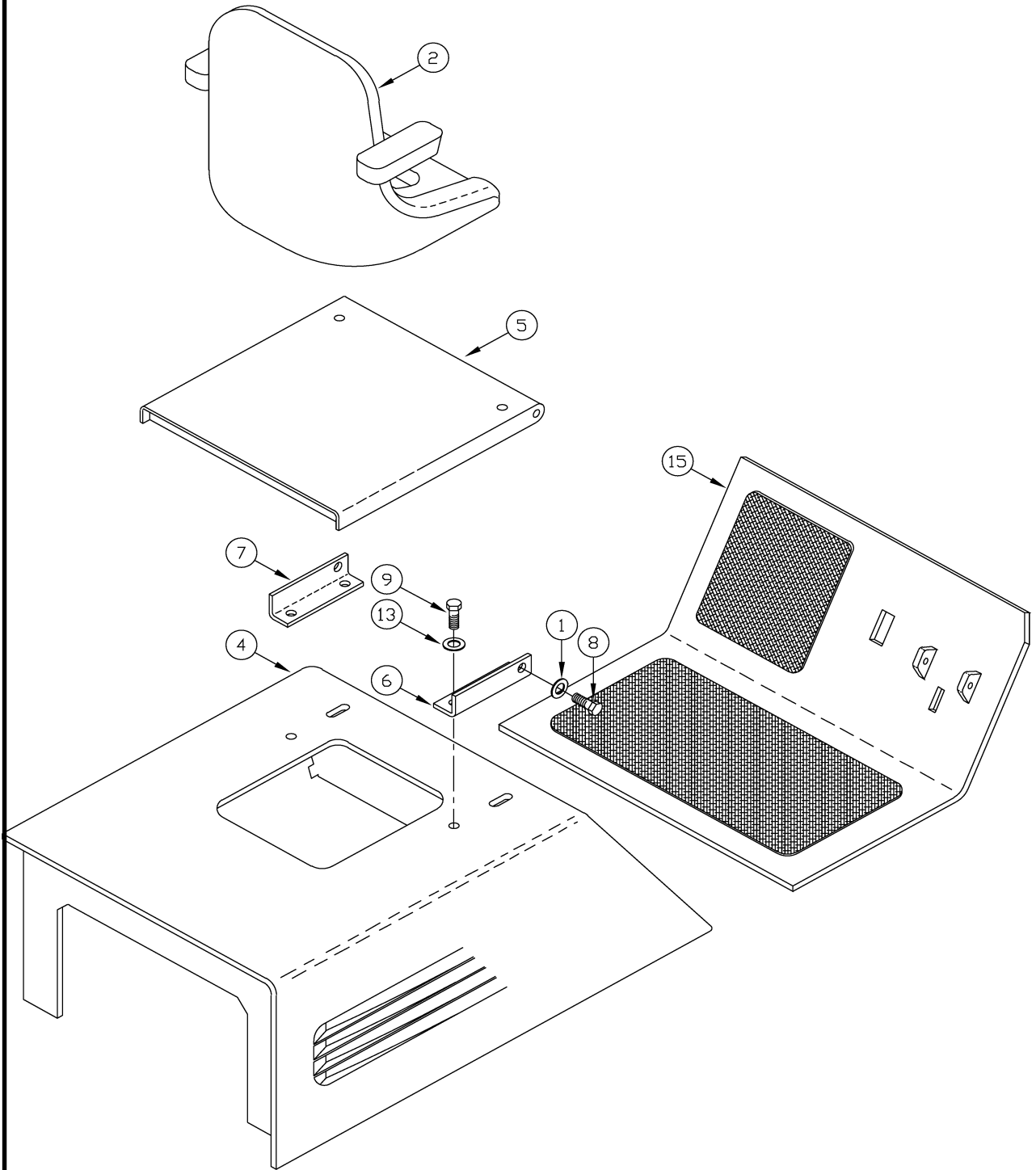
011PH001B



**RADIATOR GUARD GROUP**

REF#	PART #	DESCRIPTION	QUANTITY
1	307510	ASSY - SIDE DOOR SW/A PNTD	1
2	300380	LATCH ASSY. #C2-10-301-50	1
3	400088	WASHER - FLAT 5/16 STANDARD ZP	1
4	400036	SCR - HHM 5/16-18 X .75 LG ZP	1
5	302482	BUMPER - SEAT MOUNT	1
6	400080	NUT - HEX 5/16-18 ES ZP	1
7	400390	NUT - FLANGE LOCK 5/16-18	8
8	400148	SCREW - TRS 5/16-18 X .5 SLT ZP	8
9	307470	ASSY - RADIATOR GUARD SW/A PNTD	1
10	307513	HINGE - SIDE DOOR SW/A PNTD	2
	307560	SPACER - SIDE DOOR SW/A PNTD	1
	307828	PLATE - COIL MOUNT SW/A PNTD	1
	400042	SCREW - HEX 1/4-20 X .75 ZP	4
	400383	WASHER - CONICAL SPRING 1/4	4
	400391	NUT - FLANGE LOCK 5/16-24	4
	400036	SCR - HHM 5/16-18 X .75 LG ZP	5
	400384	WASHER - CONICAL SPRING 5/16	5
	400390	NUT - FLANGE LOCK 5/16-18	5
	400148	SCR - THM 5/16-18 X .50 ZP	8
	400391	NUT - FLANGE LOCK 5/16-24	8
	307529	ASSY - DOOR STRIKE SW/A PNTD	2
	400405	SCR - HHM 1/2-13 X 3.00 ZP	2
	400262	SCR - HHM 3/8-24 X 1.25 ZP	2
	400086	WASHER - FLAT 1/2 STANDARD ZP	4
	400098	WASHER - LOCK 1/2 SPLIT ZP	2
	400065	NUT - HEX 1/2-13 ZP	2
	400067	NUT - HEX 3/8-24 ZP	2
	317120	ASSY - GUARD RADIATOR SUB 9XT	1

### REAR COVER/SEAT GROUP

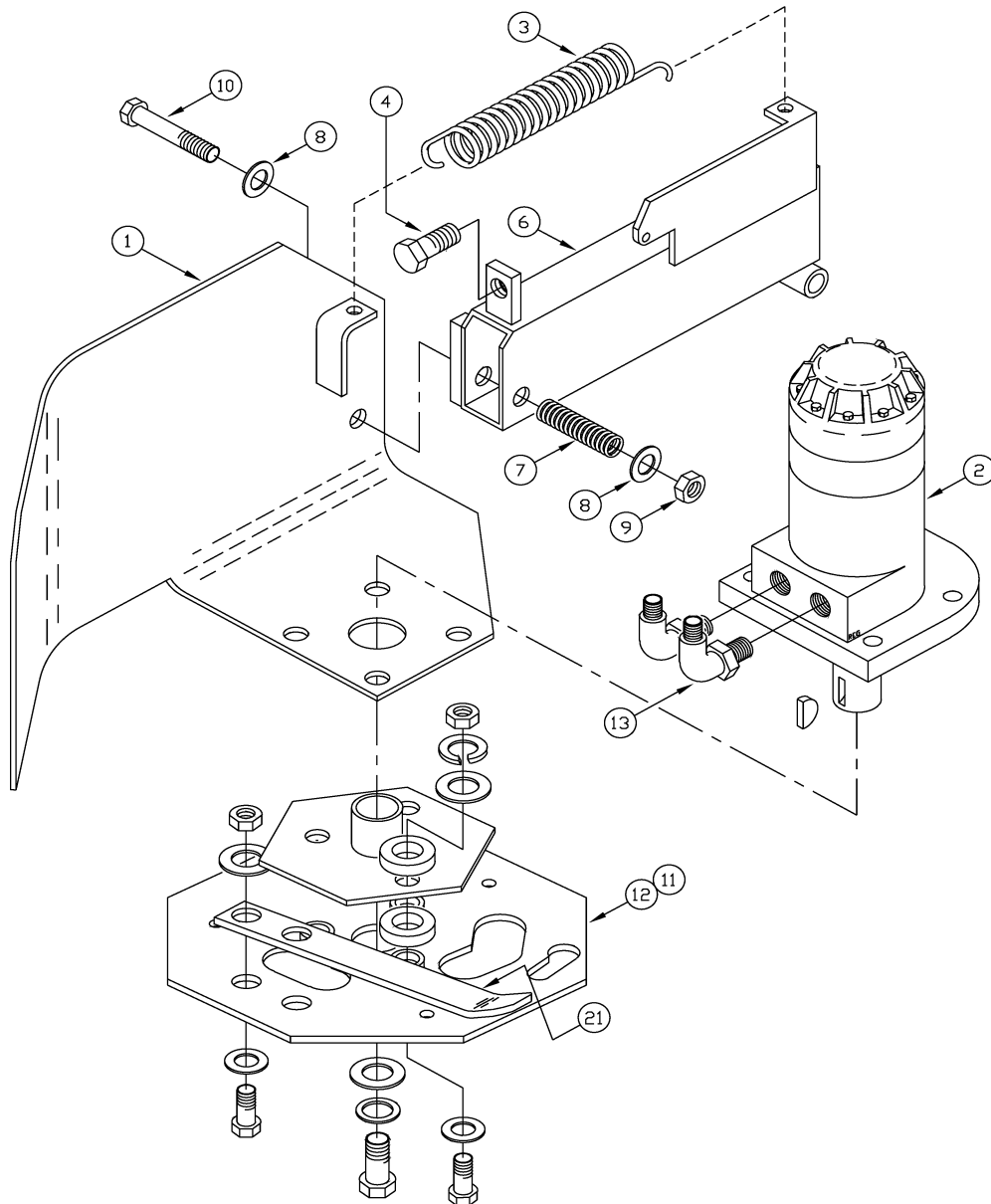


050PH001

**REAR COVER/SEAT GROUP**

REF#	PART #	DESCRIPTION	QUANTITY
	317168	ASSY - SEAT CLIP SUB SW/9XT	1
1	300339	SLEEVE - SQ & FWD/REV	2
2	300406	ASSY - SEAT MICHIGAN W/ARMREST	1
	302482	BUMPER - SEAT MOUNT	2
4	307290	ASSY - SEAT CLIP SW/A PNTD	1
5	307416	ASSY - SEAT MOUNT (STD) PNTD	1
6	307419	PIVOT RH - SEAT MOUNT PNTD SW/A	1
7	307420	PIVOT LH - SEAT MOUNT PNTD SW/A	1
8	400029	SCREW - HEX 3/8-16 X 1.25 ZP	2
9	400036	SCREW - HEX 5/16-18 X .75 ZP	10
	400079	NUT - HEX 3/8-16 ES ZP	2
13	400384	WASHER - CONICAL SPRING 5/16	8
	400390	NUT - FLANGE LOCK 5/16-18	4
15	307302	ASSY - FLOOR PAN SW/A PNTD	1
	400009	SCR - CSN 5/16-18 X 1.00 LG ZP	3
	400384	WASHER - CONICAL SPRING 5/16	3
	400390	NUT - FLANGE LOCK 5/16-18	3
	307587	FLOOR MAT - SMALL SW/A	1
	307588	FLOOR MAT - LARGE SW/A	1
	307590	SWITCH - ENGINE INTERLOCK SW/A	1
	400428	SCR - PHM #6-32 X 1.00 LG ZP	2
	400299	NUT - HEX #6-32 ZP	2
	307553	SWITCH - ENG SWING ARMA	1

# SIDE BROOM GROUP

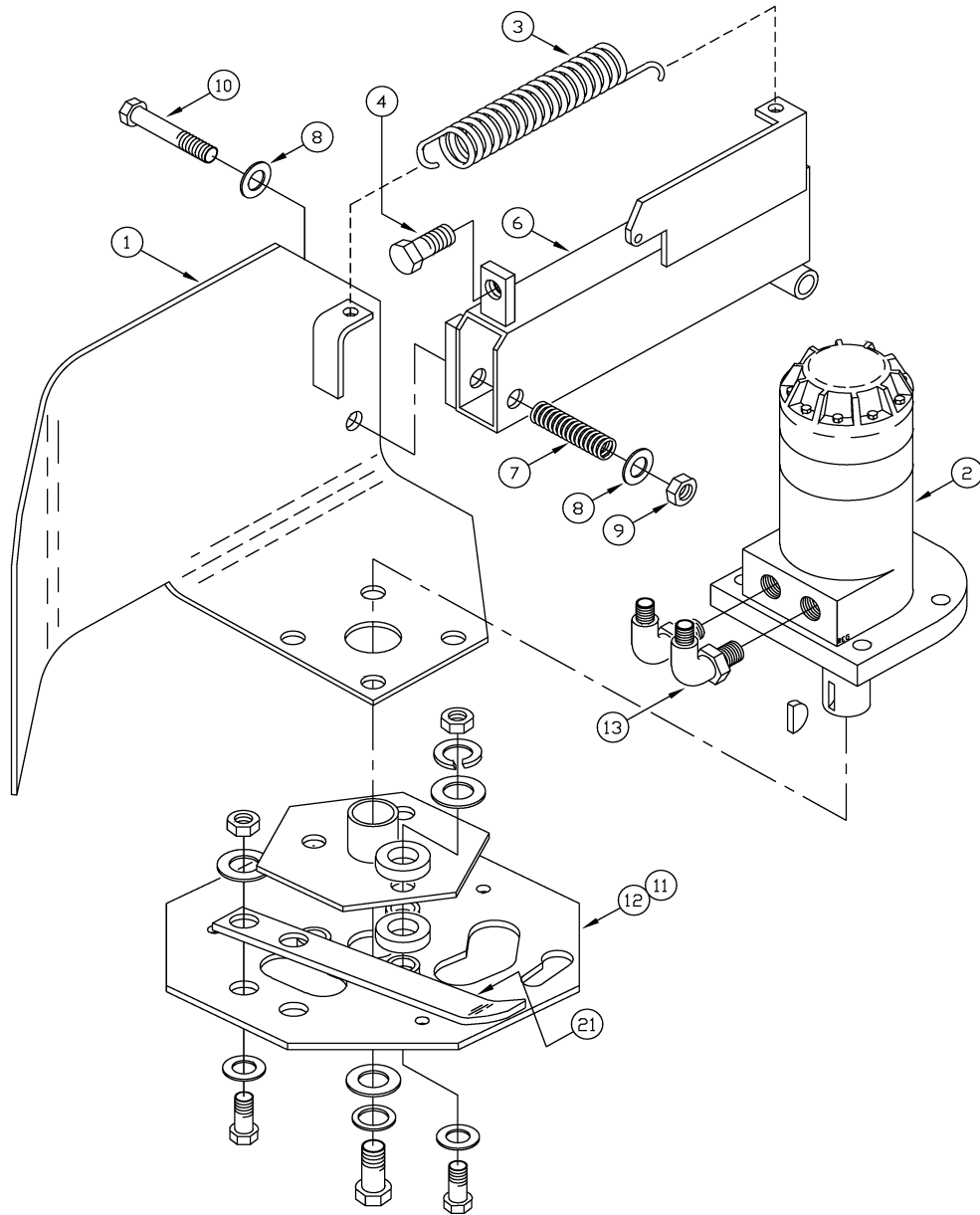


091PH001

**SIDE BROOM GROUP**

REF#	PART #	DESCRIPTION	QUANTITY
	307033	ASSY - CURB BROOM SUB ARMA	1
1	307654	ASSY - SIDE BROOM MOUNT PNTD	1
2	301560	MOTOR - HYD CURB BRM PNTD	1
	400032	SCREW - HHM 3/8-16 X .75 LG ZP	4
	400101	WASHER - LOCK 3/8 SPLIT ZP	4
3	302599	SPRING - EXT LOOPS-IN-LINE ZP	1
4	400068	NUT - HEX 3/8-16 ZP	1
	400029	SCREW - HHM 3/8-16 X 1.25 LG ZP	1
6	307527	ASSY - CURB BROOM ARM PNTD	1
7	306179	SPRING - CURB BROOM SW/71	1
8	400087	WASHER - FLAT 3/8 STANDARD ZP	2
9	400342	NUT - HEX 3/8-24 ES ZP	1
10	400258	SCREW - HHM 3/8-24 X 4.00 ZP	1
11	301474	ASSY - DRIVE SCRUB BRUSH CB SUB	1
	300465	MOUNT - ISOLATION	3
	300875	ASSY - DR HUB SC BR PNTD	1
12	301262	PLATE - GIMBAL SC HD PNTD	1
21	302058	RETAINER - BRUSH	1
	400028	SCREW - HHM 3/8-16 X 1.50 LG ZP	3
	400042	SCREW - HHM 1/4-20 X .75 LG ZP	2
	400068	NUT - HEX 3/8-16 ZP	3
	400081	NUT - HEX 1/4-20 ES ZP	2
	400101	WASHER - LOCK 3/8 SPLIT ZP	3
	400278	WASHER - FENDER 3/8	9
13	400155	FTG - 90 7/8-14 TO #8	2
	400049	SCREW - SHC 1/4-20 X .75 LG ZP	1
	400103	WASHER - LOCK 1/4 SPLIT ZP	1
	307794	PIN - CLEVIS 1/2 X 4 1/2 ZP	1
	400086	WASHER - FLAT 1/2 STANDARD ZP	1
	400124	PIN - COTTER 5/8 RUE-RING	1
	400053	SCREW - SSCP 1/2-20 X 1.75 LG ZP	1
	400064	NUT - HEX 1/2-20 ZP	1
	307678	HOSE - HYD VLV #18 TOP OF TEE	1
	307667	HOSE - HYD CB INNER PORT TO VLV	1
	307868	CABLE - SIDE BROOM SW/A	1
	400118	PIN - CLEVIS 5/16 X 7/8 ZP	1
	400088	WASHER - FLAT 5/16 STANDARD ZP	1

### SIDE BROOM GROUP (CONT.)

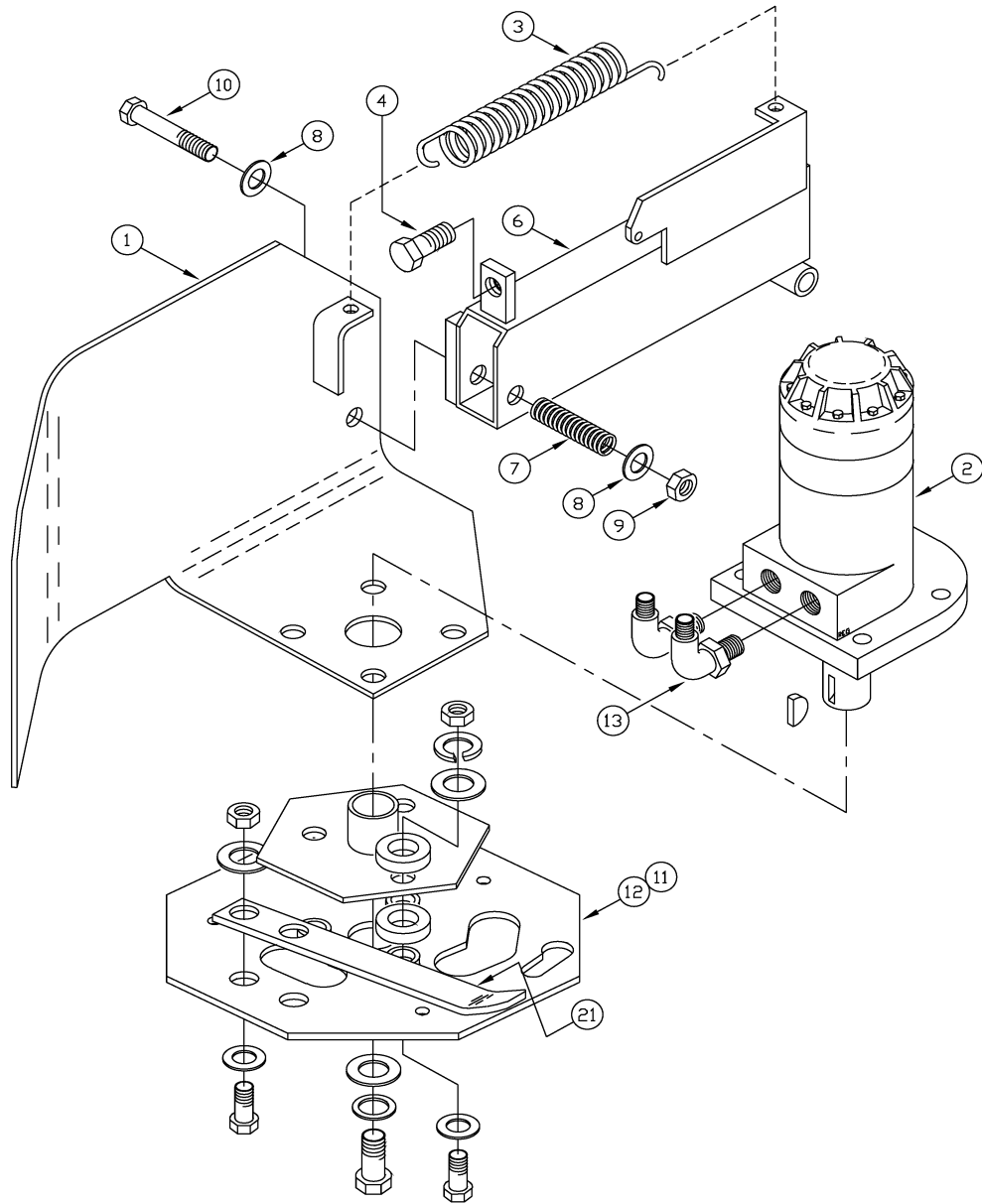


091PH001

**SIDE BROOM GROUP (CONT.)**

REF#	PART #	DESCRIPTION	QUANTITY
	400125	PIN - COTTER 3/8 RUE-RING	1
	300368	PULLEY - PLASTIC	3
	400069	NUT - HEX 5/16-24 ZP	1
	307642	CLEVIS -5/16 PLTD SW/A	1
	400184	PIN - CLEVIS 5/16 X 1 1/8 ZP	3
	400088	WASHER - FLAT 5/16 STANDARD ZP	6
	400125	PIN - COTTER 3/8 RUE-RING	3
	400227	SCREW - HHM 1/4 -20 X 1.25 ZP	1
	400040	SCREW - HHM 1/4-20 X 1.00 LG ZP	2
	400081	NUT - HEX 1/4-20 ES ZP	3
	307877	VALVE - CURB BROOM SPEED CONTROL	1
	400264	FTG - MALE CONNECTOR 9/16 TO #4	2
	302408	FTG - REDUCER TUBE END 8 - 4	2
	302409	FTG - NUT #8 BTX-5	2
	400245	FTG - SWIVEL 90 EL #4 JIC	2
	400328	FTG - TEE UNION 1/2	2
	307896	HOSE - HYD ASSY CB VLV / TEES	1
	307885	JACKET - HOSE NYLON	1
	307879	HOSE - HYD SB SPEED CONTROL / TEE	1
	307880	HOSE - HYD SB SPEED CONTROL / TEE	1
	300526	BUMPER - RUBBER 1/4 ID X 1/8 THK	2
	307876	MNT - VLV CB SPEED CTRL PNTD	1
	400042	SCREW - HHM 1/4-20 X .75 ZP	2
	400383	WASHER - CONICAL SPRING 1/4	2
	400063	NUT - FLANGE LOCK 1/4-20 ZP	2
	307897	HOSE - HYD ASSY CTRL VLV / CB TEES	1
	307883	JACKET - HOSE NYLON	1
	307881	HOSE - CTRL VALVE / SB TEES	1
	307882	HOSE - CTRL VALVE / SB TEES	1
	307898	HOSE - HYD ASSY CB MOTOR TEES	1
	307884	JACKET - HOSE NYLON	1
	300604	HOSE - HYD FILTER / RESERVOIR	2
	302493	TIE - WIRE BLACK	1
	302267	TIE - WIRE 8.00 IN.	4
	301358	TIE - WIRE	2
	305398	CLIP- HYD HOSE MS TOYOTA PLTD	1

SIDE BROOM GROUP (CONT.)



091PH001



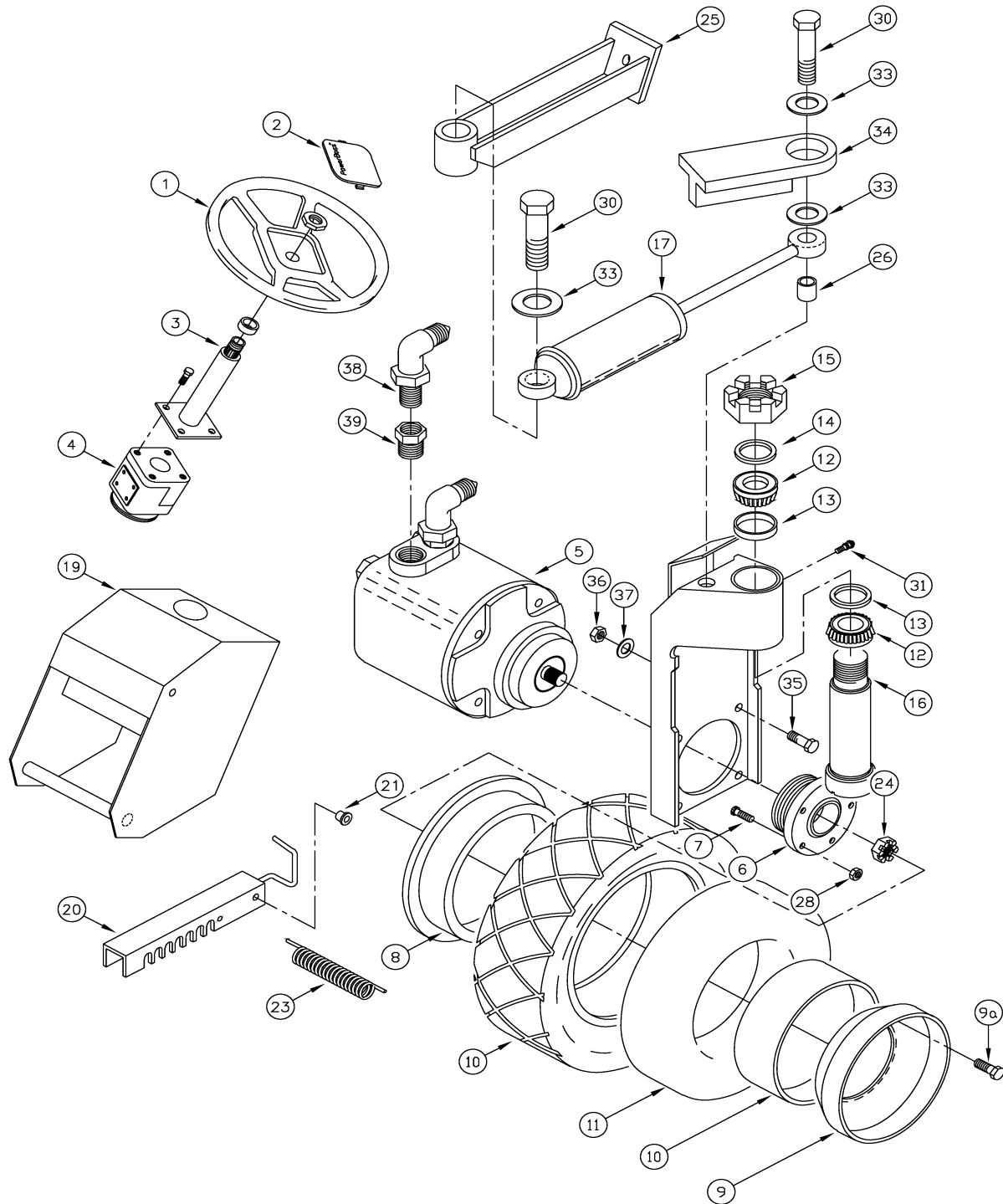
**SIDE BROOM GROUP (CONT.)**

REF#	PART #	DESCRIPTION	QUANTITY
	400173	SCR - HHM 1/4-20 X 1.75 ZP	1
	400081	NUT - HEX 1/4-20 ES ZP	1

Replacement Side (or Curb) Brooms:

300306	24" Poly Side Broom (Comes Standard on Machine)
300307	26" Poly Side Broom
300308	24" Nylon Side Broom
300309	26" Nylon Side Broom
300311	26" Wire Side Broom

# STEERING GROUP

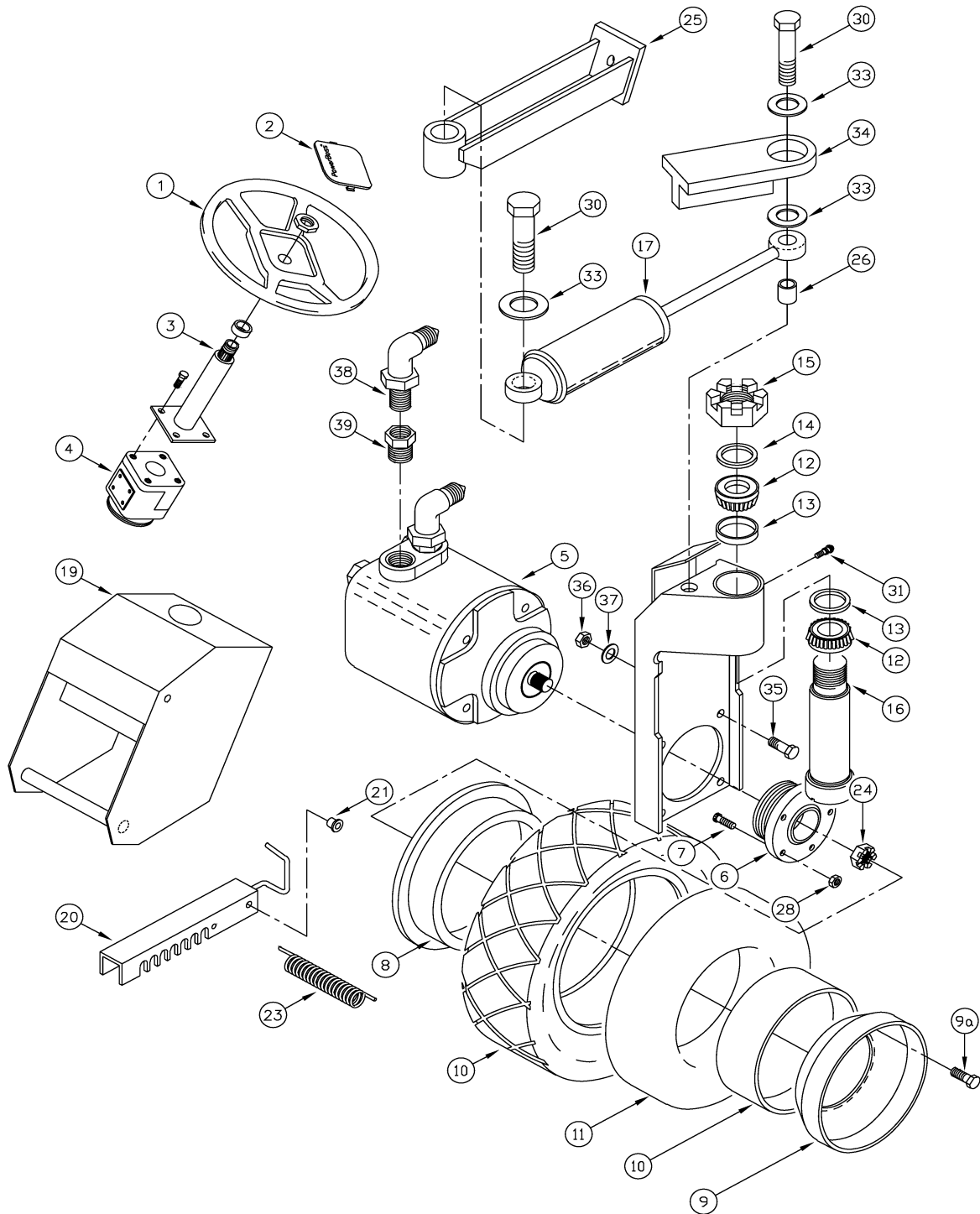


040PH001

**STEERING GROUP**

REF#	PART #	DESCRIPTION	QUANTITY
1	307245	STEERING WHEEL - POWER STEERING	1
2	307264	CAP - STEERING WHEEL POWER STEERING	1
3	307263	COLUMN - POWER STEERING	1
4	307262	POWER STEERING UNIT SW/A	1
	400027	SCR - HHM 3/8-16 X 1.75 LG ZP	2
	400028	SCR - HHM 3/8-16 X 1.50 LG ZP	2
	400101	WASHER - LOCK 3/8 SPLIT ZP	4
	307020	STEERING FORK ARMA SUB-ASSEMBLY	1
	307340	ASSY - STD STEERING FORK SW/A PNTD	1
	307019	ASSY - DRIVE HUB ARMA SUB	1
6	307347	307347 - REAR HUB, SW/A PNTD	1
7	307348	307348 - STUD, WHEEL REAR SW/A	5
16	307349	PIN - REAR FORK SW/A	1
13	300470	BEARING - TAPERED ROL CUP	2
12	300471	BEARING - TAPERED ROLCONE W/SEAL	2
14	307339	SPACER - STEERING FORK PLTD SW/A	1
15	400223	NUT - HEX SLOTTED 1/20	1
	400122	PIN - COTTER 1/8 X 2.00 ZP	1
	400012	FTG - GREASE 3/16	1
35	400020	SCREW - HHM 1/2-13 X 2.00 LG ZP	4
36	400065	NUT - HEX 1/2-13 ZP	4
37	400098	WASHER - LOCK 1/2 SPLIT ZP	4
38	400158	FTG - 45 7/8-14 TO #8	2
39	400168	FTG - ADAPTER 1 1/16-12 EXT TO	2
	400212	FTG - ADAPTER 7/16-20 TO #4	1
5	306809	MOTOR - HYD 4000 SER (HI-TORQUE)	1
5	305108	MOTOR - HYD 4000 SER (heavy duty)	1
	400339	SCR - HHM 3/8-16 X 2.25 LG SS	1
	400122	PIN - COTTER 1/8 X 2.00 ZP	1
	400079	NUT - HEX 3/8-16 ES ZP	1
	302122	KEY - DRIVE MOTOR (Fits 301533, 305108, 306809)	1
Std	307021	REAR TIRE & RIM SUB-ASSEMBLY (PNEUMATIC)	1
10	307256	REAR TIRE - PNEUMATIC (includes liner)	1
11	307257	REAR TIRE TUBE	1
8	307258	INNER RIM - REAR TIRE	1
9	307259	OUTER RIM - REAR TIRE	1
9a	400015	SCREW-FHM 7/16-14 X 1.50 LG ZP	5
	400066	NUT - HEX 7/16-14 ZP	5
	400099	WASHER - LOCK 7/16 SPLIT ZP	5
Option	307069	REAR TIRE & RIM SUB-ASSEMBLY (NON-MARKING)	1
10	307910	TIRE - NON-MARKING	1
8	307258	INNER RIM - REAR TIRE	1
9	307259	OUTER RIM - REAR TIRE	1

# STEERING GROUP (CONT.)



040PH001

**STEERING GROUP (CONT.)**

REF#	PART #	DESCRIPTION	QUANTITY
9a	400015	SCREW-FHM 7/16-14 X 1.50 LG ZP	5
	400066	NUT - HEX 7/16-14 ZP	5
	400099	WASHER - LOCK 7/16 SPLIT ZP	5
Option	307070	REAR TIRE & RIM SUB-ASSEMBLY (SOFT SHOE)	1
10	307331	TIRE - SOFT SHOE 600 X 9	1
8	307258	INNER RIM - REAR TIRE	1
9	307259	OUTER RIM - REAR TIRE	1
9a	400015	SCREW-FHM 7/16-14 X 1.50 LG ZP	5
	400066	NUT - HEX 7/16-14 ZP	5
	400099	WASHER - LOCK 7/16 SPLIT ZP	5
17	307311	CYLINDER - STEERING ARMA & POWER	1
	300879	WASHER - HD 3.25 OD X 1.00 ID	2
	400152	FTG - 90 1/2-20 TO #5	2
	400435	WASHER - LOCK 3/4 SPLIT ZP	2
19	307158	ASSY - MOUNT TILT STEERING SW/A	1
	400210	SCR - SHC 3/8-16 X 1.50 ZP	2
	400392	NUT - FLANGE LOCK 3/8-16	2
20	307163	ASSY - LATCH TILT STEERING SW/A	1
	400039	SCR - HHM 1/4-20 X 2.00 LG ZP	1
	400351	SCR - HHM 1/4-20 X 2.25 ZP	1
	400376	PIN - CLEVIS 3/8 X 2-7/16 ZP	1
	400087	WASHER - FLAT 3/8 STANDARD ZP	5
	400125	PIN - COTTER 3/8 RUE-RING	1
	400081	NUT - HEX 1/4-20 ES ZP	2
21	300414	BUSHING - PLASTIC MN BROOM	4
23	307815	SPRING - TILT STEERING	1
24	307576	NUT - STEERING 13/16-20 CHARLYNN	1
	307332	ASSY - STEERING CYL MOUNT PNTD	1
	400022	SCR - HHM 1/2-13 X 1.25 LG ZP	2
	400098	WASHER - LOCK 1/2 SPLIT ZP	2
	400065	NUT - HEX 1/2-13 ZP	2
26	307351	SPACER - STEERING CYL PLTD	1
28	300411	NUT - WHEEL LUG	5
30	400422	SCREW - HHM 3/4-10 X 5.0 LG ZP	2
33	400440	WASHER - FLAT .812 X 2.0 LG ZP	2
	400143	NUT - HEX 3/4-10 ZP	2
	309081	BAR - STEERING STOP SPACER	1
34	309080	ASSY - STEERING STOP ARMA PNTD	1
	309089	SPACER - ARMA STEERING STOP	1

